

# Service Kit

## 753-0860

CODE: R-421

DATE: March 10, 1999

SUBJ: Blade Spindle Replacement

Use this Service kit when replacing part number 618-0271 Blade Spindle on early production 1997, 400 series 38" decks.

### INSTALLATION INSTRUCTIONS

\*Refer to "Old Style Assembly" diagram Fig. 1 when performing steps 2 and 3.

1. Remove the deck according to instructions in operator's manual.
2. Remove blade (save) and discard related hardware references 7, 8, 13, 16, 18, 20 and 26.\*
3. Remove belt guard (save) ref. 30 and spindle assembly--discard spindle assembly and related reference 1, 3, 6, 12, 17, 19, 21 and 28.

\*\*Refer to "New Style Assembly" diagram Fig. 2 when performing the following steps.

4. Install new spindle assembly ref. 1 using four Tap Screws ref 2, torque to 200-300 lbs.
5. Install original belt guard
6. Install original blade using 1-Hex Flange Nut ref. 3, torque to 450-600 inch lbs.
7. Rotate blades fully to make sure they do not contact any part of deck assembly.

Figure 1 "Old Style Assembly"

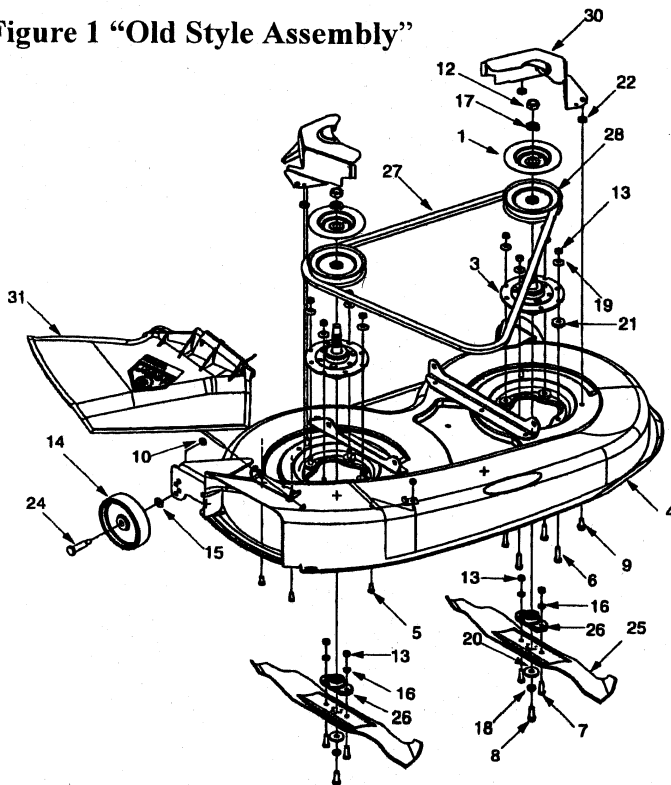
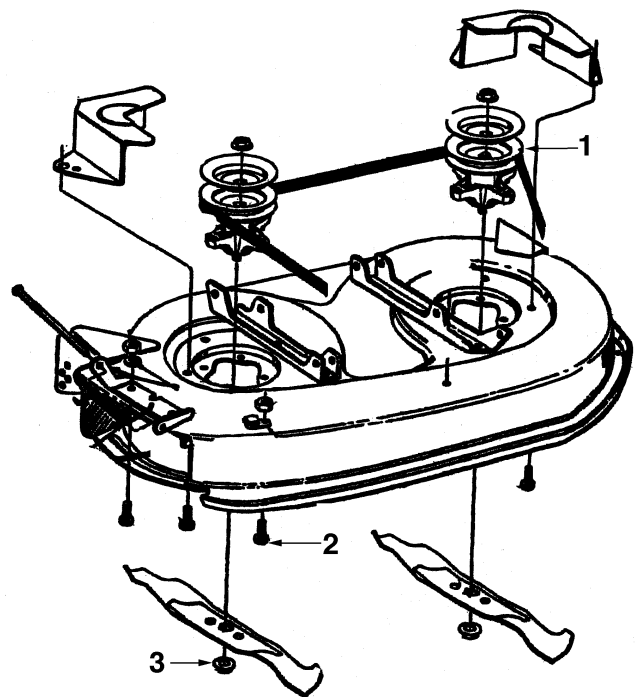


Figure 2 "New Style Assembly"



### Service Kit 753-0860 Consists of:

Ref. No.	Part. No.	Description	Qty.
1	618-0138	Blade Spindle Assembly	1
2	710-1260A	Hex Washer: Tap Screw 5/16-18 x .75" Lg.	4
3	712-0417A	Hex Flange Nut 5/8" -18 Thd.	1