

Service Kit 753-0865

CODE: PE-119

DATE: June 3, 1999

SUBJECT: 46-inch Deck Bagger Hooks
& Extension Tube

Service Kit 753-0865 is for use on Twin Rear Bagger Model OEM-190-602 & Triple Rear Bagger Model OEM-190-821 for AutoDrive™, Pedal Drive, Automatic Transmission & Automatic Lawn Tractors & Garden Tractors. If you are unsure of your bagger's Model Number, refer to the Model Plate found on the front left portion of the bagger's plastic cover.

- Use this kit in the event that the discharge chute fails to remain in place when the operator raises and lowers the cutting deck while bagging.

Service Kit 753-0865 consists of:

PART NO.	QTY.	DESCRIPTION
16606	1	Retainer Hook Bracket
710-0751	1	Hex Cap Screw, 1/4-20 x .62
712-3027	1	Hex Flange Lock Nut, 1/4-20
731-2299	1	Extension tube
723-0476	2	Retainer Straps
N/A	1	Template For Drilling Location

1. Crease the template included in this kit and place it over the front of the cutting deck near the discharge chute as illustrated in Figure 1. Mark the hole location on the cutting deck with a center punch.
2. Remove the template and with a 1/4" bit, drill a hole on the mark made with the center punch.

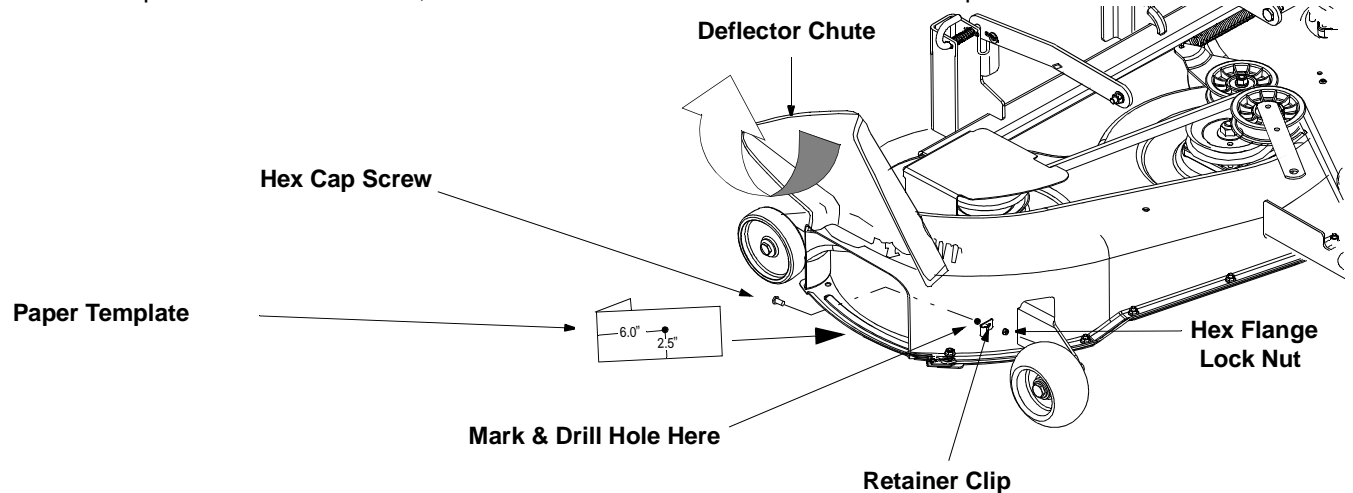


Figure 1

3. Attach the retainer hook bracket to the cutting deck using the hex cap screw and hex flange lock nut included in this kit. See Figure 1.
4. Attach the extension tube included in this kit to the top of the bagger discharge tube. Secure it in place by attaching the retainer straps to the retainer clips found on the chute tube. See Figure 2.

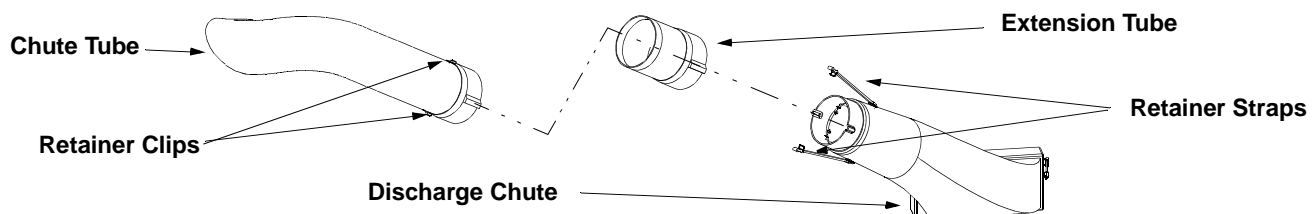
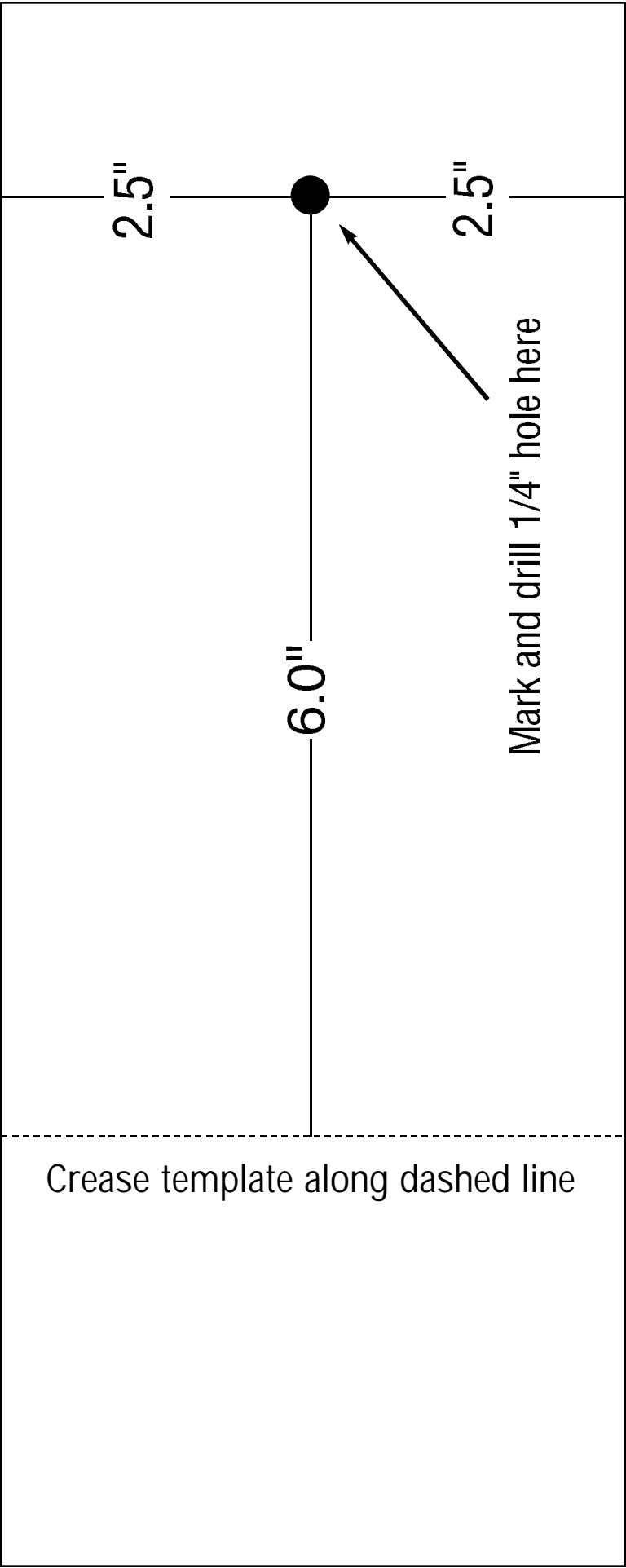


Figure 2



2.5"

2.5"

6.0"

Mark and drill 1/4" hole here

Crease template along dashed line

