

# Service Kit 753-0873

CODE: R-438

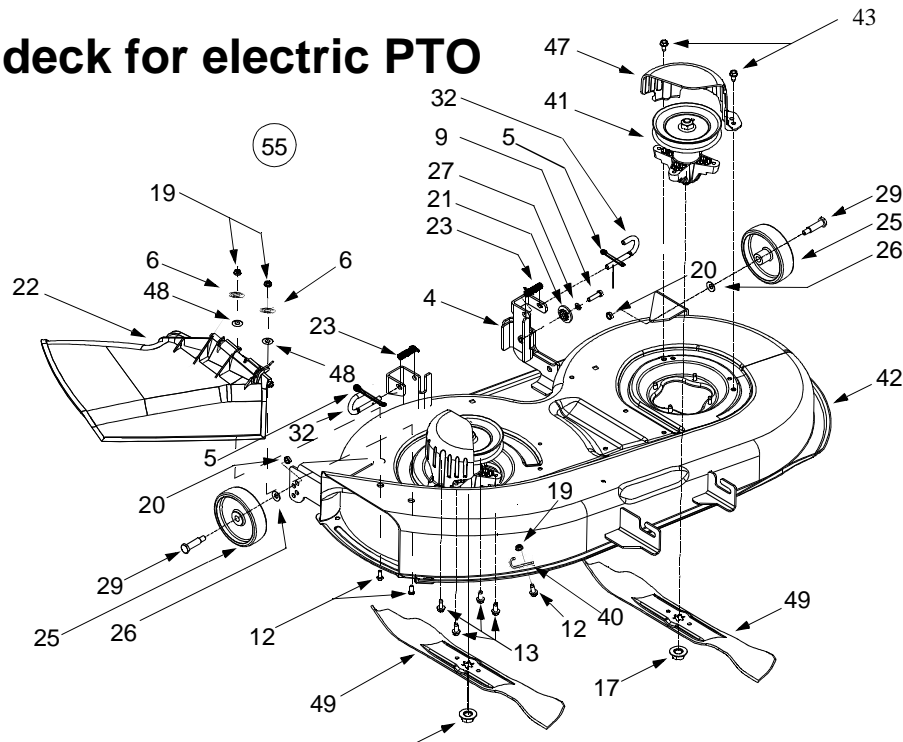
DATE: May 16, 2000

SUBJECT: 42" Deck Replacement

MODELS AFFECTED: 600 through 619 with electric PTO

Use this parts sheet when ordering any replacement parts for the cutting deck.

## 42-inch deck for electric PTO



REF. NO.	PART NO.	DESCRIPTION
4	683-0254	Deck Adjustment Bracket w/ Weld Nut
5	714-0470	Pin: Cot : 1/8 x 1.25
6	726-0233	Push Nut, 1/4 x .50
9	710-0528	Hex Cap Screw, 5/16-18 x 1.25
12	710-0751	Hex Cap Screw, 1/4-20 x .62
13	710-1260A	Self Tapping Screw, 5/16-18 x .75
17	712-0417A	Nut: Hex: Flange: 5/8 - 18
19	712-3006	Hex Flange Lock Nut, 1/4-20
20	712-0431	Hex Flange Lock Nut 3/8-16
21	717-1553A	Deck Adjustment Gear
22	731-1032B	Side Discharge Chute Assembly
23	732-0306	Compression Spring, .406 x .531 x 1.75
25	734-0973	Deck Wheel, 5 x 1.38
26	736-0105	Bell Washer, .401 x .87 x .063

REF. NO.	PART NO.	DESCRIPTION
27	736-0119	Lock Washer, 5/16
29	738-0373	Shoulder Bolt, .498 x 1.53
30	754-0472	Deck V-Belt (Not Shown)
32	747-1116	Deck Release Pin
40	16606	Retainer Hook
41	618-0427	Spindle Assembly w/ Fitting, 5.75 Dia
42	683-0198B	42-inch Deck Shell
43	710-0604A	Self Tapping Screw, 5/16-18 x .625
47	731-2231	Belt Cover
48	736-0270	Bell Washer, .265 x .75 x .062
49	742-0616	Three-in-one Blade, Star Center, 21.23
55	753-0873	42-inch Deck Assembly Complete (w/o mulch kit)