

Service Kit

753-0879

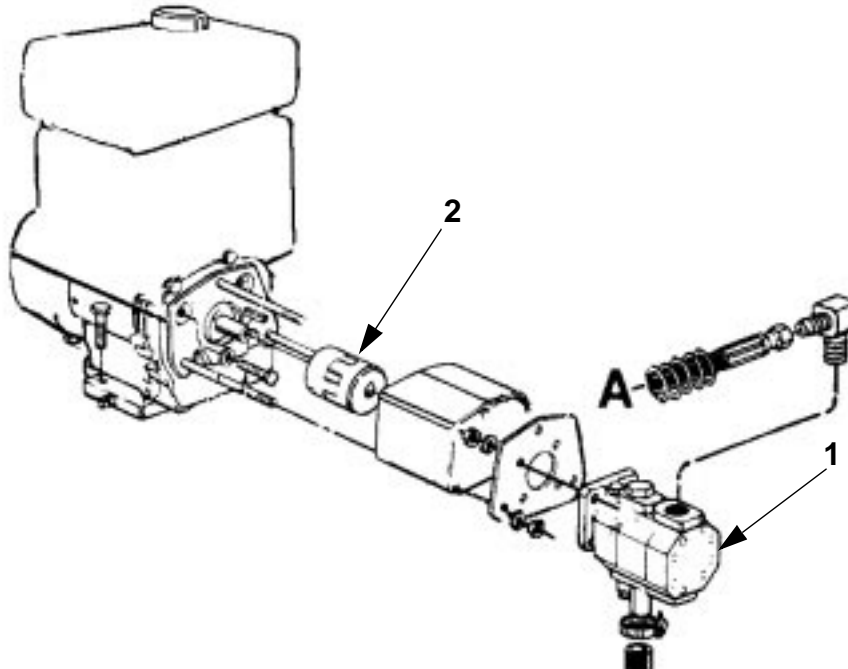
CODE: CP-037

DATE: September 23, 1999

SUBJ: Replacement Logsplitter
Gear Pump & Flexible Cou-
pler

Use this service kit when replacing part number 718-0476 Gear Pump - 11GPM

NOTE: There are two flexible couplers included in this kit. This series of log splitters utilized engines with both 3/4" diameter crankshafts and 7/8" diameter crankshafts. Measure your engine's crankshaft diameter to determine which replacement coupler to install on your unit.



Service Kit 753-0879 Consists of:

Ref. No.	Part No.	Description	Qty.
1	718-0683	Gear Pump-11GPM	1
2	718-0686	Flexible Coupler-7/16" ID (Pump Side) & 7/8" ID (Engine Side)	1
2	718-0687	Flexible Coupler-7/16" ID (Pump Side) & 3/4" ID (Engine Side)	1