

Service Kit

753-0881

Please add "Paint Code"

CODE: RT-137

DATE: July 10, 2000

SUBJ: Replacement Handle Ass'y

This Service Kit replaces the following parts: 649-0033 handle assembly & 747-1157 clutch bail.

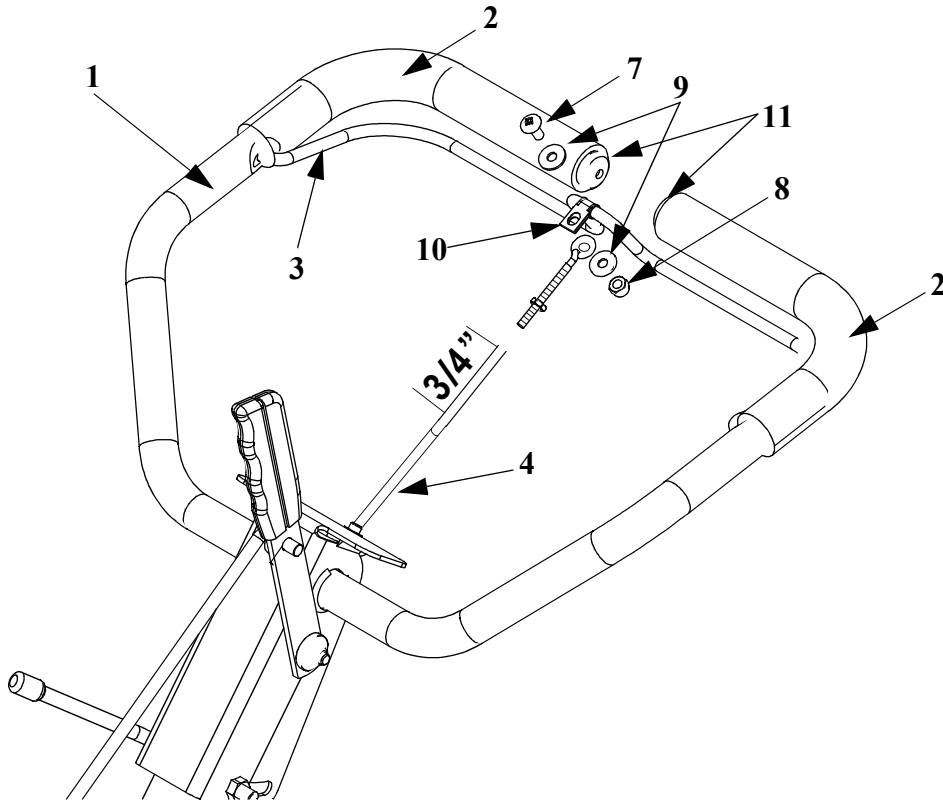


Figure 1

Service Kit 753-0881 Consists of:

Note: Add " Paint Code" ex: 753-0881-0638

Ref. No.	Part No.	Description	Qty.
1	649-0041	Handle Assembly	1
2	720-0278A	Grips	2
3	747-1219	Clutch Bail	1
4	746-1117	Cable Assembly	1
5	726-0317	Cable Tie	1
6	777I20451	Handle Label	1
7	710-0946	Screw 1/4-20 x .625	1
8	712-0324	L-Nut 1/4-20 Gr.8	1
9	736-3090	Flat Washer	2
10	726-0273	Clamp	1
11	735-0246	Handle Plug	2

Form Number 770-1658A

Instructions:

Remove existing upper handle assembly, bail and cable as detailed below.

1. Cut off cable tie on handle
2. Remove belt cover by removing three screws and one nut.
3. Remove one end of the cable from the frame.
 - a) Unthread one nut all the way off the threaded cable casing.
 - b) Pull the cable through the hole in the tab.
 - c) Take spring off idler bracket.
4. Remove upper handle assembly:
 - a) Take note of existing order of assembly of parts before you remove the hardware.
 - b) Take the nut and bolt off the handle pivot bracket.
 - c) Unscrew the height adjustment crank all the way.

Attach new upper handle assembly, bail and cable as detailed below.

5. Attach the new handle assembly by reversing step 4. Do not over tighten the nylon lock nut at the handle pivot point, handle should pivot easily.
6. Assemble the new bail into the holes in the handle tube. First, the side of the bail with hooks needs to be snaked through the hole on the right side of the handle tube, then left side of bail goes into the other hole. **MAKE SURE THAT BAIL ROTATES FREELY WHEN ASSEMBLED.**
7. Assemble new cable onto unit:
 - a) First, reconnect spring end of cable to the frame by reversing step 3. Nuts should be threaded all the way onto the cable casing.
 - b) Reattach belt cover
8. Attach the cable to the handle assembly as follows, (see figure 1):
 - a) Remove threaded eyebolt and nut from end of the cable.
 - b) Route the cable to the right side of the handle mounting brackets and underneath the handle.
 - c) Push the cable through the hole in the center of the handle and snap in the plastic fitting.
 - d) Snap the clip onto the center of the bail.
 - e) Fasten the threaded eye bolt onto bail as shown in figure 1. The part order from top to bottom is: slot head screw, flat washer, clip, threaded eye bolt, flat washer and nut.
 - f) Thread eyebolt and nut, removed in step 8a, into the internally threaded tube at the end of the cable. Thread engagement should be about 3/4". Tighten nut against tube at the end of cable.

NOTE: Do not over tighten the cable. Too much tension may cause it to break.

- g) Secure clutch cable to handle using cable tie. Cut off excess end of cable tie.

Assemble foam grips onto handles. Spray a liberal amount of "409 all purpose cleaner" or equivalent onto the handles and inside the grips, this will make it easier to slide the grips onto the handle.

Use tube plugs from old handle assembly. Push the tube plugs into the ends of the handle tube.

Apply label to the face plate of the handle assembly as the old handle.

CHECKING THE CLUTCH ADJUSTMENT:

Position the tiller so the front counterweight is against a solid object, such as a wall. With the gear selector in NEUTRAL, start the engine. Standing on the right side of the tiller, examine the belt, (inside the cover). It should not be turning.

WARNING: Do not put fingers under the belt cover.

If the belt turns without the bail engaged, adjust by unthreading the internally threaded tube at the end of the cable a few turns clockwise, (when standing in operator's position), and then retighten the nut against the tube.

Now move the shift lever to FORWARD, (wheels forward), position. Carefully engage the clutch by lifting the clutch control bail against the handle. The wheels should spin.

If the wheels do not spin with the unit in forward, adjust by unthreading the tube at the end of the cable a few turns counter-clockwise, (when standing in the operator's position) and then retighten the nut against the tube.

Recheck both adjustments and readjust as necessary.