

# Service Kit 753-0896

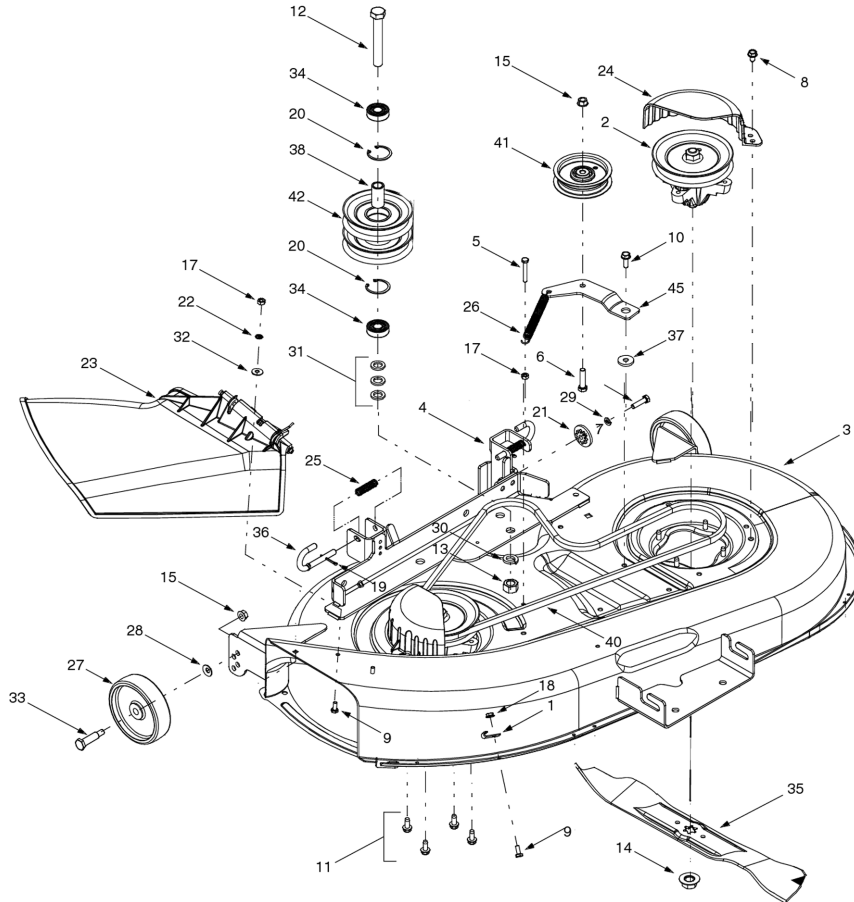
CODE: R-453

DATE: April 24, 2001

SUBJECT: 42" Deck Replacement

MODELS AFFECTED: 600-609 and 624 Series Lawn Tractors with Two Belts and Electric PTO

Use this parts list when ordering any replacement parts for the cutting deck.



REF. NO.	PART NO.	DESCRIPTION
1	16606	Retainer Hook
2	618-0574	Spindle Assembly, 5.75 Dia.
3	683-0198D	42" Deck Shell
4	683-0254	Deck Adjustment Bracket w/Weld Nut
5	710-0136	Hex Cap Screw, 1/4-20 x 1.75
6	710-0520	Hex Cap Screw, 1/4-2- x 1.5
7	710-0528	Hex Cap Screw, 5/16-18 x 1.25
8	710-0604A	Self Tapping Screw, 5/16-18 x .625
9	710-0751	Hex Cap Screw, 1/4-20 x .62
10	710-1238	Hex Head Washer Screw 5/16-18 x .875
11	710-1260A	Self Tapping Screw, 5/16-18 x .75
12	710-3151	Hex Cap Screw, 5/8-18 x .875
13	712-0337	Hex Nut, 5/8-18
14	712-0417A	Hex Flange Nut, 5/18-18
15	712-0431	Flange Lock Nut, 3/8-16
16	712-3004A	Flange Lock Nut, 5/16-18
17	712-3006	Hex Nut, 1/4-20
18	712-3027	Hex Flange Lock Nut, 1/4-20
19	714-0470	Cotter Pin, 1/8 x 1.25
20	716-3020	Internal Snap Ring
21	717-1553A	Deck Adjustment Gear
22	726-0233	Push Nut.25 x .50

REF. NO.	PART NO.	DESCRIPTION
23	731-1032B	Side Discharge Chute Assembly
24	731-2486	Belt Cover
25	732-0306	Compression Spring 1.75"
26	732-0470A	Extension Spring 4.74 "
27	734-0973	Deck Wheel, 5 x 1.38
28	736-0105	Bell Washer .265 x .75
29	736-0119	Lock Washer, 5/16
30	736-0158	Lock Washer, 5/8
31	736-0162	Flat Washer, .64 x 1 x .12
32	736-0270	Bell Washer .265 x .75
33	738-0373	Shoulder Screw .498 x 1.53
34	741-0524	Bearing .625 x 1.574
35	742-0616	Blade
36	747-1116	Deck Release Pin
37	748-0331	Shoulder Spacer .625 x .324
38	750-0932A	Spacer .635 x .88 x 1.72
39	754-0497	Deck Belt (Not Shown)
40	754-0498	Deck Belt
41	756-0627B	Idler Pulley, 3.5"
42	756-1202	Double Pulley, 5.0"

Form No. 770-1850  
(04/01)