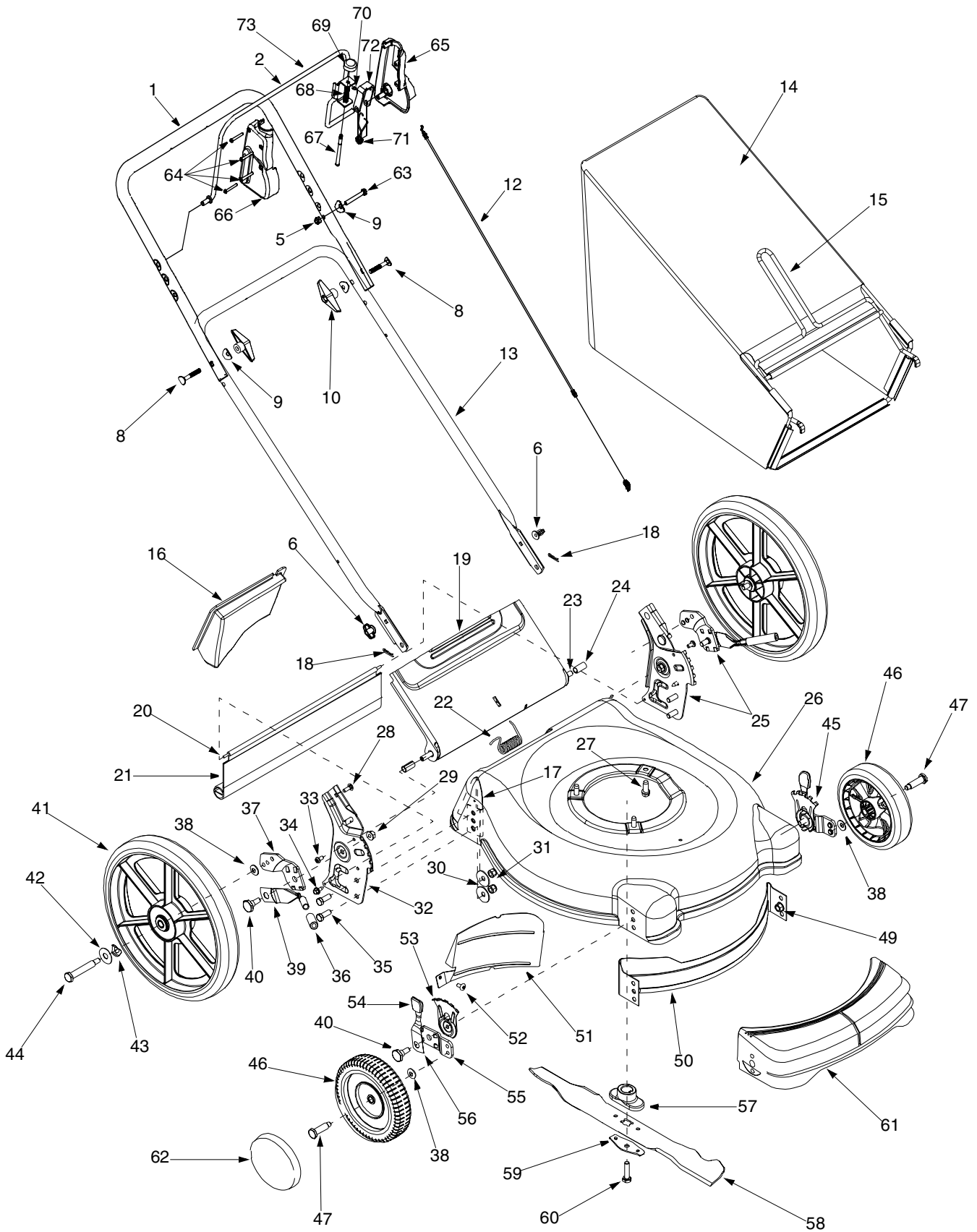


SECTION 10: PARTS LIST FOR MODEL 589



Model 589 Series

Ref. No.	Part No.	Part Description	Ref. No.	Part No.	Part Description
1.	749-04001	Upper Handle	38.	736-0105	Spring Washer .375 ID x .870 OD
2.	647-0070	Control Handle	39.	732-0866	Spring Lever
5.	712-0324	Hex Lock Nut 1/4-20	40.	738-0507B	Shoulder Screw
6.	720-0279	Handle Knob	41.	734-2043	Rear Wheel Assembly 14 x 2.1
7.	710-1205	Rope Guide	42.	736-0456	Flat Washer .510 ID x 1.37 OD
8.	710-1174	Carriage Bolt 5/16-18 x 2"	43.	736-0182	Wave Washer .500 ID x 1.0 OD
9.	736-0451	Shoulder Washer .320 ID x .930 OD	44.	738-0481A	Shoulder Screw
10.	720-0284	Wing Nut	45.	14578	Front Height Adjuster - RH
12.	746-1141	Self Start Control Cable 58.25"		14579	Front Height Adjuster - LH
13.	749-0907B	Lower Handle	46.	734-2004A	Front Wheel Assembly 8 x 2.1
14.	664-0123	Grass Bag	47.	738-0102	Shoulder Bolt
15.	747-0995A	Grass Catcher Frame	49.	712-0431	Flange Lock Nut 3/8-16
16.	782-5007A	Rear Mulch Plug	50.	782-5002	Front Baffle
17.	782-5004	Rear Baffle - RH	51.	782-5003	Rear Baffle - LH
18.	714-0104	Hairpin Clip	52.	710-1017	Tap Screw 1/4-14 x .625.
19.	782-7599A	Grass Bag Door	53.	15261A	Height Adjustment Plate
20.	732-0700	Wire Rod	54.	720-0426	Height Adjustment Knob
21.	731-1236	Trailshield	55.	15262B	Pivot Bar
22.	732-0809	Door Spring	56.	732-0404	Spring Lever
23.	747-0996	Chute Door Pivot Rod	57.	748-0376C	Blade Adapter
24.	750-0434	Spacer .375 O.D. x .50 I.D. x 1.02"	58.	742-0741	21" Mulching
25.	682-3058	Handle Bracket Assembly - LH		742-0641	21" Standard
	682-3059	Handle Bracket Assembly - RH	59.	736-0524A	Blade Bell Support
26.	782-0310A	Deck 21"	60.	710-1044	Hex Cap Screw 3/8-24 x 1.5
27.	710-0654A	Hex Washer Screw 3/8-16 x 1.0	61.	731-1506	Front End Cover
28.	710-0703	Hex Carriage Screw 1/4-20	62.	731-1426	Hub Cap
29.	712-3005	Flange Lock Nut 3/8-16	63.	710-0501	Hex Hd. Cap Scr. 1/4-20 Gr.5
30.	736-0356	Bell Washer .390 ID x .380 OD	64.	710-1256	Hi-Low Screw
31.	712-0130	Hex Lock Nut 3/8-16	65.	731-2532	Control Cover LH
32.	682-3056A	Handle Bracket Assembly - RH	66.	731-2533	Control Cover RH
	682-3057A	Handle Bracket Assembly - LH	67.	715-0168	Pin
33.	710-0286	Machine Screw 1/4-20 x .500	68.	732-1171	Compression Spring
34.	710-0896	Hex Washer Screw 1/4-14 x .625	69.	720-0428	Button
35.	710-0514	Hex Cap Screw 3/8-16 x 1.0	70.	716-0209	Retention Spring
36.	720-0312	Foam Grip	71.	732-1172	Torsion Spring
37.	17488A	Pivot Bar - RH	72.	782-0156	Lever
	17489A	Pivot Bar - LH	73.	731-2623	Bail Cover (Not shown)