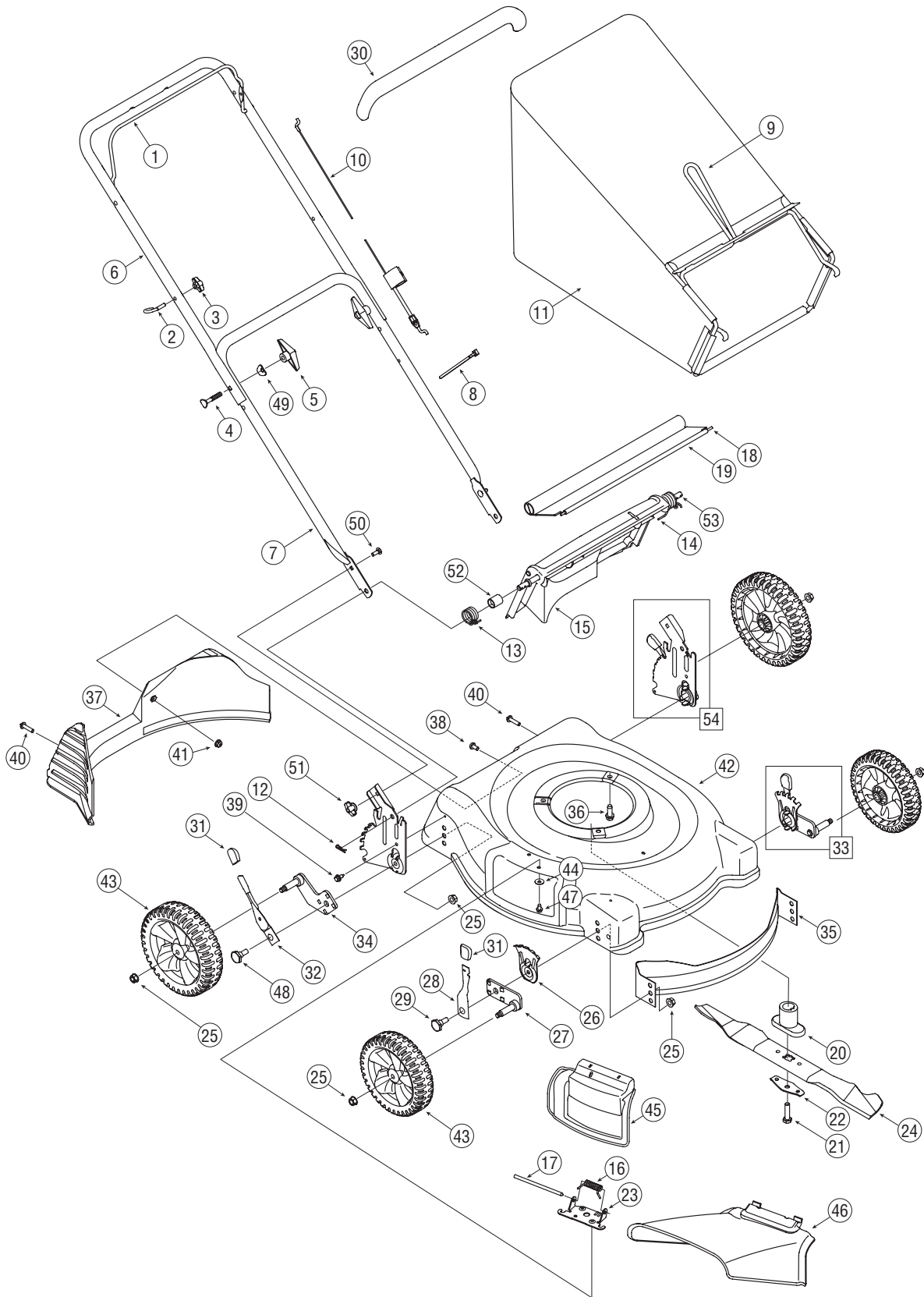


SECTION 11: PARTS LIST FOR MODEL SERIES 430



Model Series 430

Ref. No.	Part No.	Description	Ref. No.	Part No.	Description
1.	747-1161A	Control Handle	29.	738-0507B	Shld. Bolt.5" Dia. x.357"
2.	710-1205	Rope Guide	30.	731-04204	Deluxe Bail Cover
3.	720-0279	Handle Knob 1/4-20 Thd.	31.	720-0426	Spring Lever Knob
4.	710-1174	Curved Hd. Bolt 5/16-18 x 2"	32.	732-04175	Rear Spring Lever
5.	720-0284	Hand Knob	33.	687-02074	Height Adj. Assy. Comp. - RH
6.	749-1092A	Upper Handle		687-02075	Height Adj. Assy. Comp. - LH
7.	749-0928A	Lower Handle	34.	687-02071	Pivot Arm - RH
8.	726-0240	Cable Tie		687-02070	Pivot Arm - LH
9.	747-04080	Grass Catcher Frame	35.	782-5002B	Front Baffle
10.	746-1130	Control Cable - 40"	36.	710-0654A	Hex L-Wash.Scr. 3/8-16 x 1"
11.	664-04011	Grass Bag	37.	731-04150	Rear Baffle
12.	714-0104	Int. Cotter Pin 5/16" Dia.	38.	710-0286	Screw, 1/4-20 x.500"
13.	732-04090A	Door Spring - R.H.	39.	710-1652	HexIndWash. Scr. 1/4-20:.625
14.	732-04089A	Door Spring - L.H.	40.	710-04371	Screw, 1/4-15 x 1.250
15.	731-04134A	Rear Discharge Door	41.	712-04064	Flange Lock Nut, 1/4-20
16.	732-1014	Torsion Spring	42.	787-01231	21" Deck
17.	747-0710	Hinge Pin	43.	734-04014	Wheel Complete
18.	732-0700	Wire Rod	44.	736-0270	Bell Washer 1/4" I.D.
19.	731-04998	Rear Flap	45.	687-02055	Hinged Mulching Plug
20.	748-0377C	Blade Adapter w/Star	46.	731-04177	Side Chute Deflector
21.	710-1257	Hex Bolt 3/8-24 x 2.5" Lg.	47.	710-0599	Hex Hd Self-Tp Scr. 1/4-20 x.5"
22.	736-0524A	Blade Bell Support	48.	738-04136	Shoulder Screw
23.	17032A	Deflector Chute Adapter	49.	736-0451	Shoulder Washer
24.	742-0741	21" Mulching Blade w/Star	50.	710-0703	Hex Carriage Screw 1/4-20
25.	712-0431	Flange Nut 3/8-16 Thd.	51.	712-0397	Wing Nut
26.	15261C	Height Adj. Plate	52.	750-04162	Spacer,.375OD x.50ID
27.	687-02076	Pivot Arm Assembly - LH	53.	747-04035	Rear Door Pivot Rod
	687-02077	Pivot Arm Assembly - RH	54.	687-02069	Rear Handle Bracket Assembly - LH
28.	732-0404	Front Spring Lever		687-02068	Rear Handle Bracket Assembly - RH