



# Operator's Manual



## 21" Rear & Side Discharge Mulching Lawn Mower

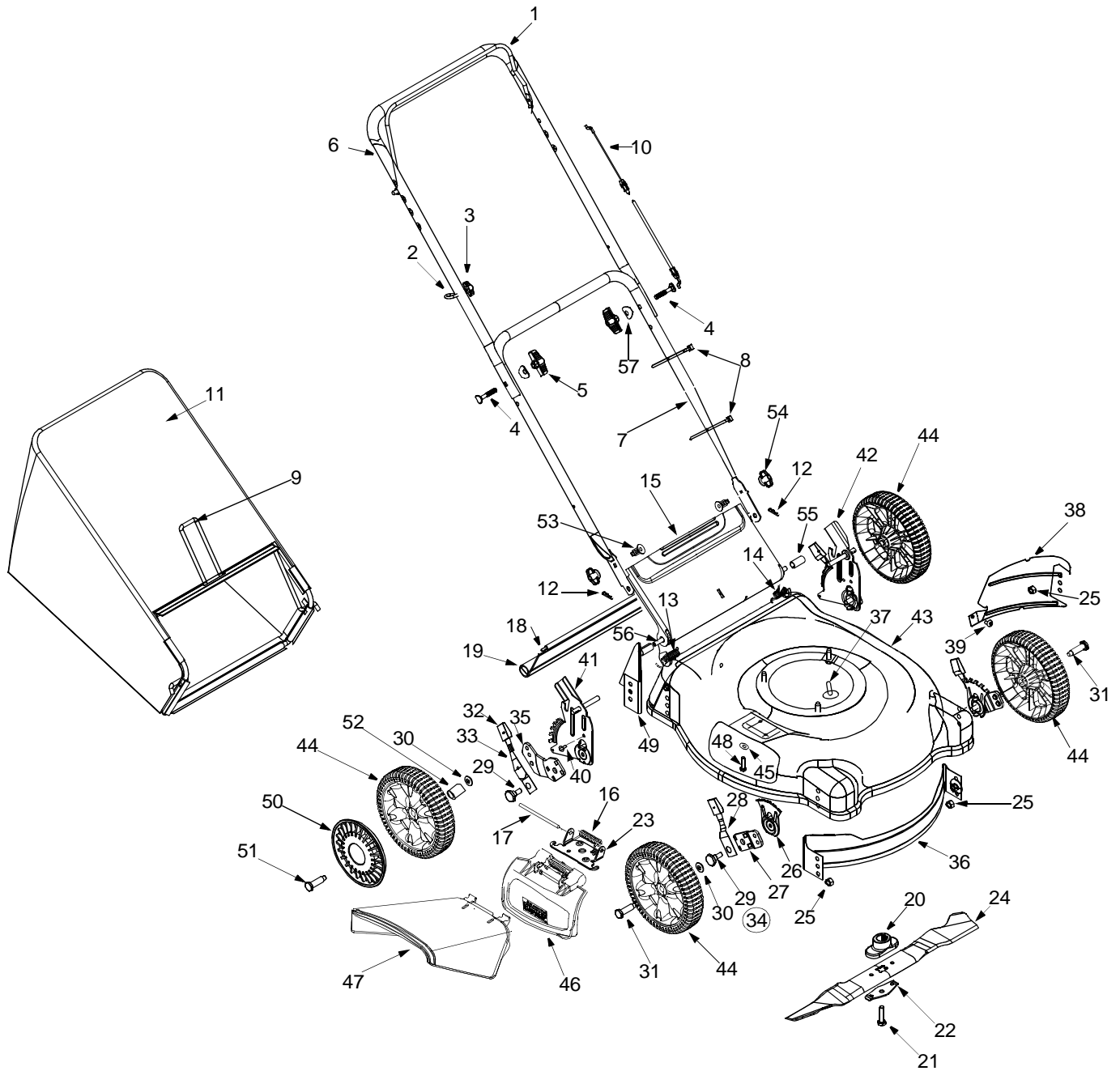
Model 435

**IMPORTANT:** Read safety rules and instructions carefully before operating equipment.

**Warning:** This unit is equipped with an internal combustion engine and should not be used on or near any unimproved forest-covered, brush-covered or grass-covered land unless the engine's exhaust system is equipped with a spark arrester meeting applicable local or state laws (if any). If a spark arrester is used, it should be maintained in effective working order by the operator. In the State of California the above is required by law (Section 4442 of the California Public Resources Code). Other states may have similar laws. Federal laws apply on federal lands. A spark arrester for the muffler is available through your nearest engine authorized service dealer or contact the service department, P.O. Box 361131 Cleveland, Ohio 44136-0019.

**MTD LLC, P.O. BOX 361131 CLEVELAND, OHIO 44136-0019**

# SECTION 11: PARTS LIST FOR MODEL 435



# Model 435

Ref. No.	Part No.	Description	Ref. No.	Part No.	Description
1.	747-1161A	Control Handle	31.	738-0102	Front Axle Bolt
2.	710-1205	Rope Guide	32.	720-0426	Spring Lever Knob
3.	720-0279	Handle Knob 1/4-20 Thd.	33.	732-0417A	Rear Spring Lever
4.	710-1174	Curved Hd. Bolt 5/16-18 x 2"	34.	14578	Height Adj. Assy. Comp. - RH
5.	720-0284	Hand Knob		14579	Height Adj. Assy. Comp. - LH
6.	749-1092A	Upper Handle	35.	14765	Pivot Bar R.H.
7.	749-0928A	Lower Handle		14766	Pivot Bar L.H.
8.	726-0240	Cable Tie	36.	782-5002A	Front Baffle
9.	747-04080	Grass Catcher Frame	37.	710-0654A	Hex L-Wash.Scr. 3/8-16 x 1"
10.	746-1137	Control Cable	38.	782-5003	Rear Baffle - LH
11.	664-04012	Grass Bag (soft top w/logo)	39.	710-1017	Torx Mach AB-Tap Scr. 1/4 x.62"
12.	714-0104	Int. Cotter Pin 5/16" Dia.	40.	710-0896	HexIndWash. Scr. 1/4-14:.625
13.	732-04072	Door Spring - R.H.	41.	787-01016	Handle Brkt. Ass'y.—RH
14.	732-04071	Door Spring - L.H.	42.	787-01015	Handle Brkt. Ass'y.—LH
15.	731-04134	Rear Discharge Door	43.	787-01104	Deck 21"
16.	732-1014	Torsion Spring	44.	734-2005A	Wheel Complete
17.	747-0710	Hinge Pin	45.	736-0270	Bell Washer 1/4" I.D.
18.	732-0700	Wire Rod	46.	731-04161	Hinged Mulching Plug
19.	731-1236	Rear Flap	47.	731-04177	Chute Deflector: Side Discharge
20.	748-0376C	Blade Adapter w/Star	48.	710-0599	Hex Hd Self-Tp Scr. 1/4-20 x.5"
21.	710-1044	Hex Bolt 3/8-24 x 1.5" Lg.	49.	782-5004A	Rear Baffle - RH
22.	736-0524A	Blade Bell Support	50.	731-1426	Hub-Cap- Rad. Spoke- Yellow
23.	17032A	Deflector Chute Adapter	51.	738-0213	Rear Axle Bolt
24.	742-0741	21" Mulching Blade w/Star	52.	750-0535	Spacer
25.	712-0431	Flange Nut 3/8-16 Thd.	53.	710-0703	Hex Carriage Screw 1/4-20
26.	15261A	Height Adj. Plate	54.	712-0397	Wing Nut
27.	15262B	Pivot Bar	55.	750-04162	Spacer,.375OD x.50ID
28.	732-0404	Front Spring Lever	56.	747-04035	Rear Door Pivot Rod
29.	738-0507B	Shld. Bolt.5" Dia. x.357"	57.	736-0451	Shoulder Washer
30.	736-0105	Bell Washer.38" I.D. x.88" O.D.			