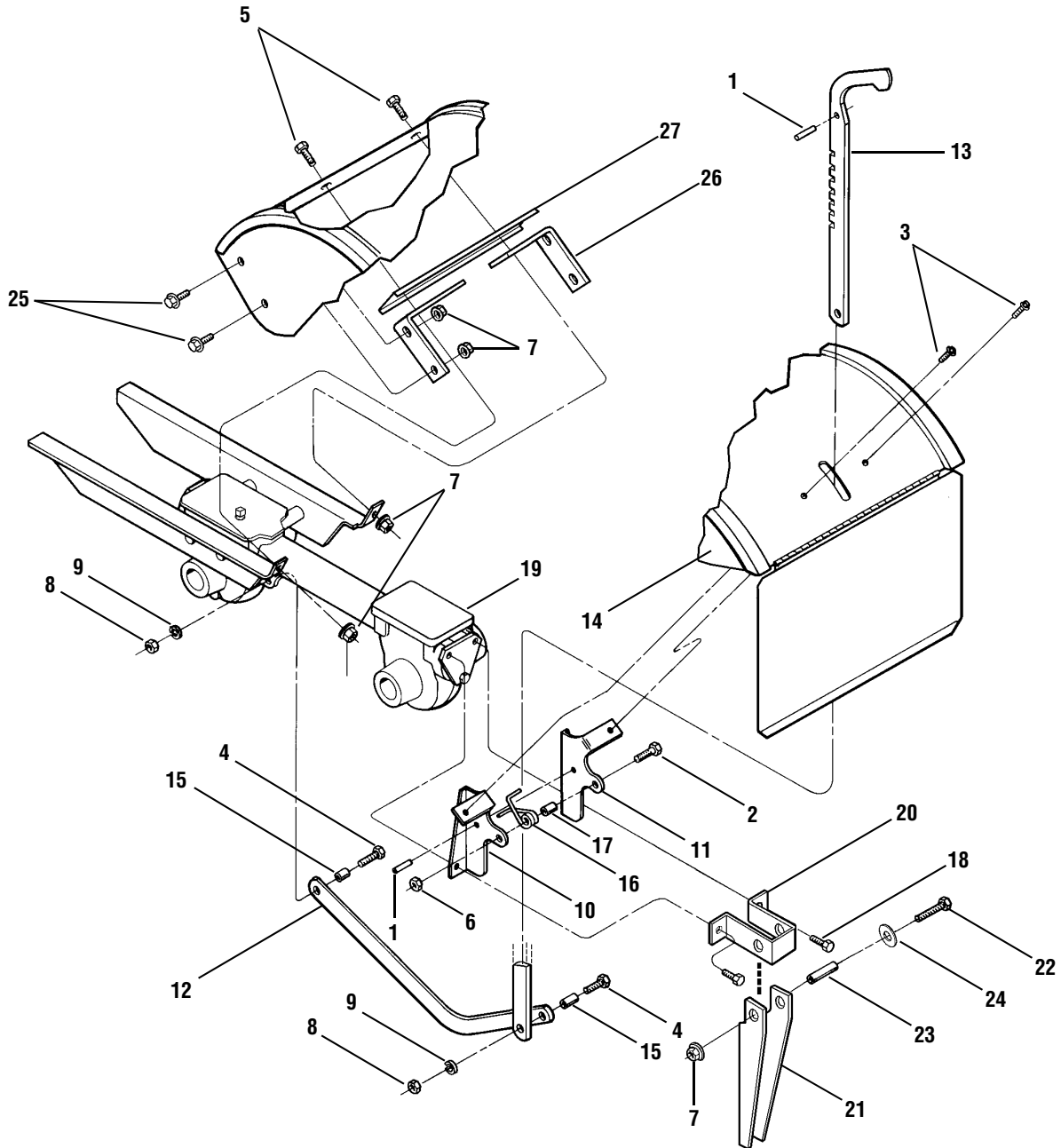


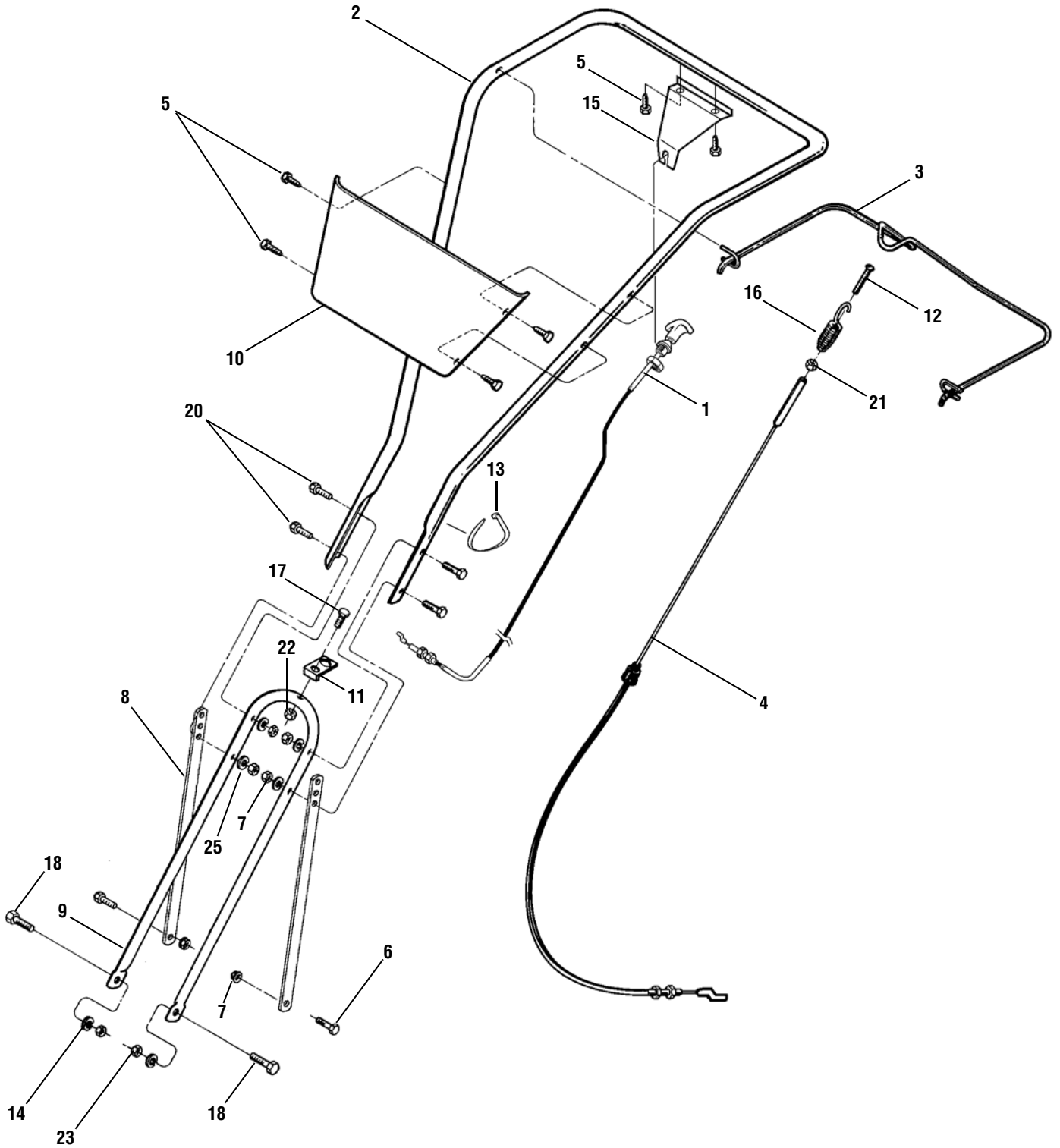
Section 6 Parts List



MODELS 644H & 645A

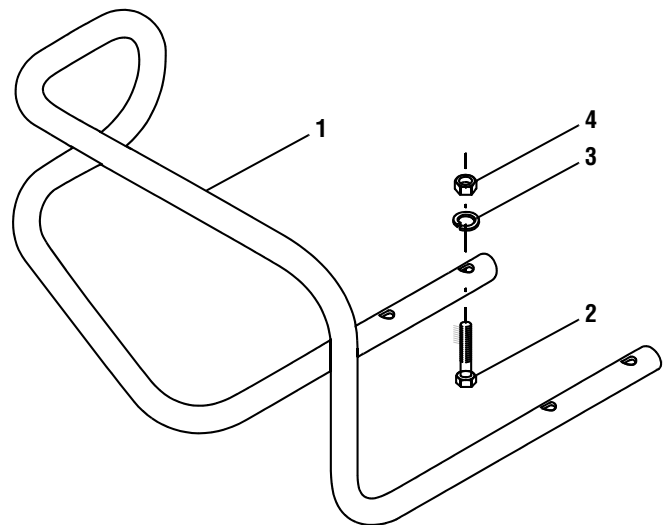
REF NO.	PART NO.	DESCRIPTION
1	1185469	Spirol Pin
2	710-0597	Hex Hd. Screw, 1/4-20 x 1
3	710-0599	Screw, Self-Tapping, 1/4-20 x 1/2
4	710-0874	Hex Hd. Screw, 5/16-18 x 1-1/4
5	1186331	Hex Hd. Screw, 5/16-18 x 1.0
6	712-0291	Hex Lock Nut, 1/4-20
7	712-3004A	Hex Flange Lock Nut, 5/16-18
8	712-3009	Hex Nut, 5/16-18
9	736-0119	Lock Washer, 5/16
10	GW-55013-1	Hood Bracket, Left Hand
11	GW-55013-2	Hood Bracket, Right Hand
12	GW-55015	Drag Bar
13	GW-55018	Depth Regulator Lever
14	686-04029	Tine Hood Assembly
15	GW-55088	Bushing
16	GW-9384	Spring, Depth Regulator
17	GW-9534	Spacer
18	710-04048	Hex Hd. Flange Screw, 5/16-18 x 1
19	618-04046	Transmission Assembly (CRT)
20	786-04191	Flap Stop Bracket
21	1916570	Reverse Stop Arm
22	710-3073	Hex Screw, 5/16-18 x 2.25
23	1916771	Spacer, .462 x .328 x 1.63
24	1107382	Flat Washer, 5/16
25	710-3025	Hex Screw, 5/16-18 x .625
26	1916708	Hood Support Bracket
27	1916707	Channel Support Bracket

MODELS 644H & 645A

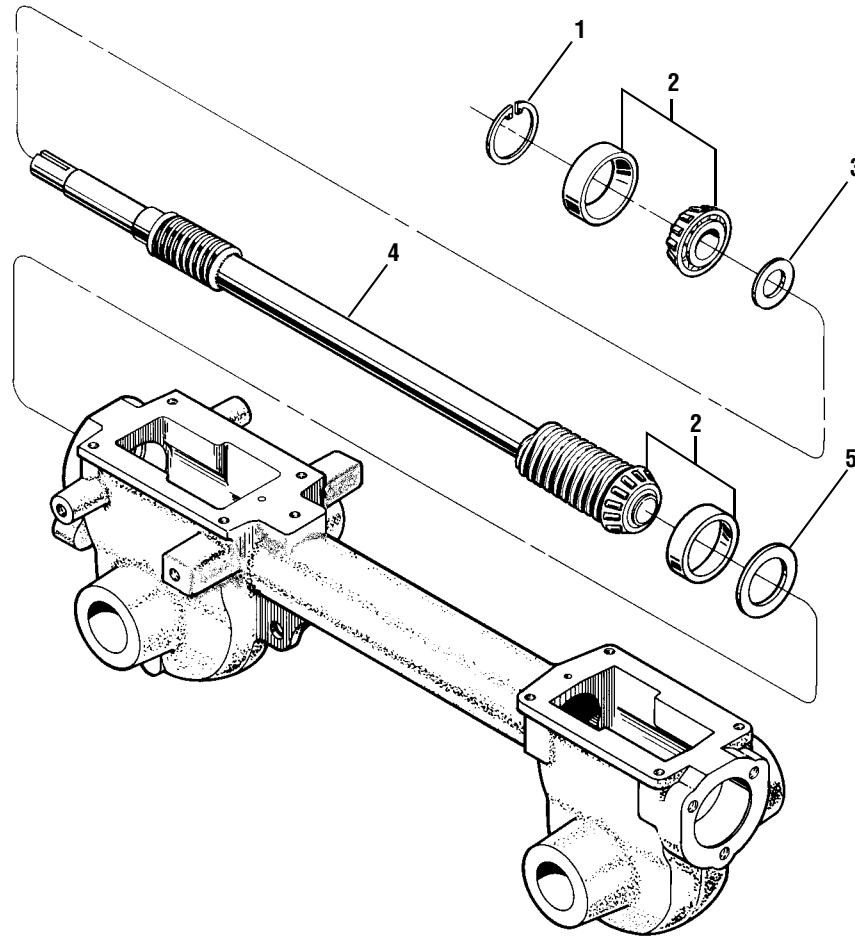


REF NO.	PART NO.	DESCRIPTION
1	1916719	Cable Assembly, Reverse Clutch
2	1916755	Upper Handlebar
3	747-04210	Bail, Forward Clutch
4	1918745	Cable Assembly, Forward Clutch
5	710-0599	Screw, Self-Tapping, 1/4-20 x 1/2
6	710-3008	Screw, Hex, 5/16-18 x 3/4
7	712-3009	Hex Lock Nut, 5/16-18
8	786-04188	Handlebar Support
9	GW-55043	Lower Handlebar
10	786-04200	Panel
11	GW-55044	Tab, Conduit Mount
12	GW-9855	Screw, #10-24 x 2
13	725-0157	Cable Tie
14	736-3050	Flat Washer, 3/8
15	786-04040	Bracket, Reverse Clutch Cable
16	732-04185	Spring, Forward Clutch
17	710-0106	Hex Hd. Screw, 1/4-20 x 1-1/4
18	710-0216	Screw, Hex, 3/8-16 x 3/4
20	710-0805	Screw, Hex, 5/16-18 x 1-1/2
21	712-0121	Hex Nut, #10-24
22	712-0291	Hex Lock Nut, 1/4-20
23	712-3000	Hex Nut, 3/8-16
25	736-0119	Lock Washer, 5/16

REF NO.	PART NO.	DESCRIPTION
1	1918749	Bumper
2	710-0395	Hex Screw, 5/16-18 x 2-1/4, Gr5
3	712-0267	Nut, Hex, 5/16-18
4	736-0119	Lock Washer, 5/16



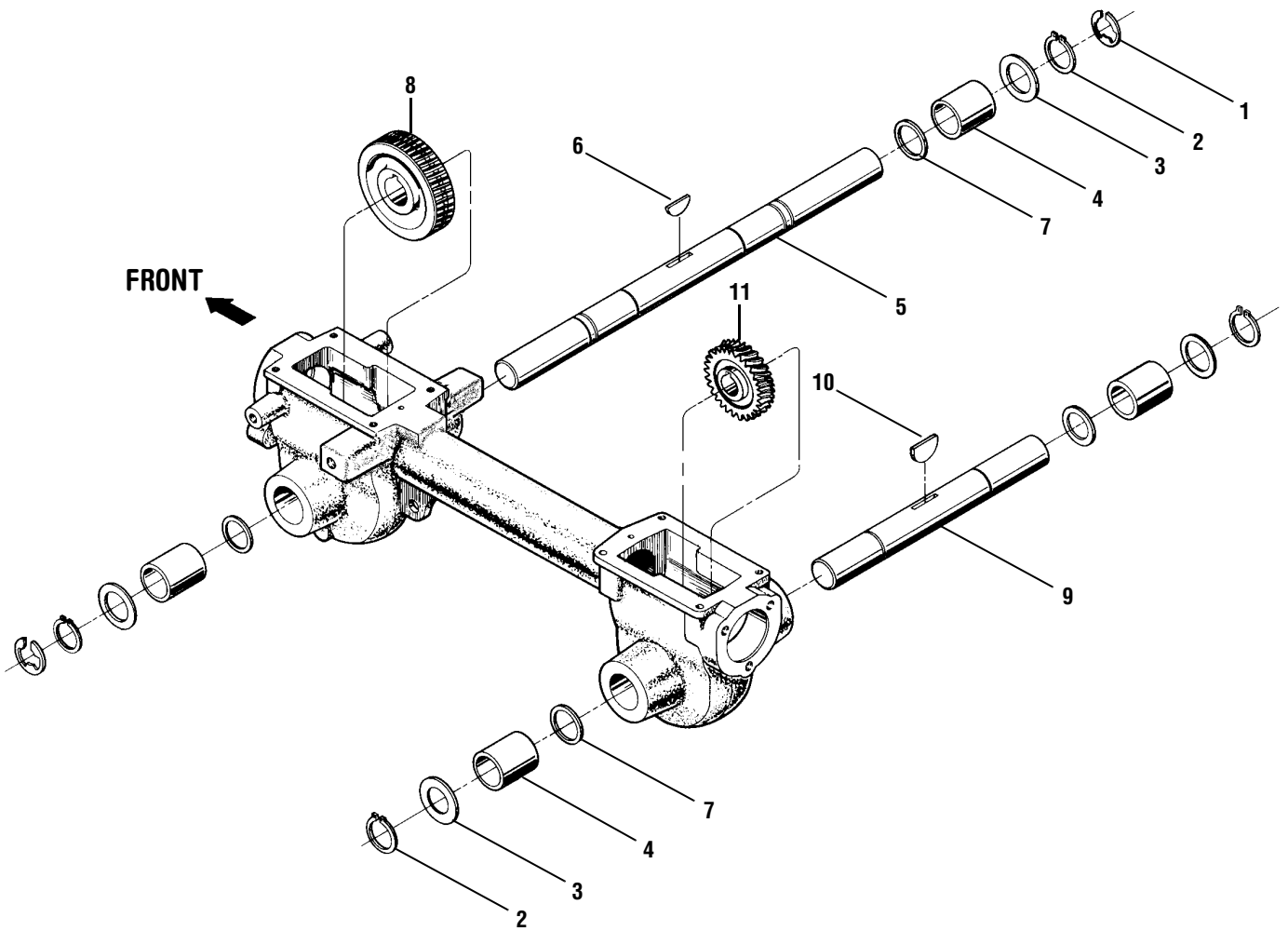
MODELS 644H & 645A



REF NO.	PART NO.	DESCRIPTION
1	GW-9517	Snap Ring
2	GW-1714	Bearing, Tapered Roller (with race)
3	GW-50043	Support Washer, Rear
4	711-04110	Drive Shaft (CRT)
5	GW-1224-1*	Shim, Rear Bearing Cap, .010" thick
	GW-1224-2*	Shim, same as above, except .030" thick
	GW-1224-3*	Shim, same as above, except .005" thick
	GW-1224-4*	Shim, same as above, except .062" thick
—	GW-1325C	Shim Set (Incl. the following shims: two #1224-1, two 1224-2 & one #1224-4)

* Use as required to obtain between .005" and .015" allowable end-play.

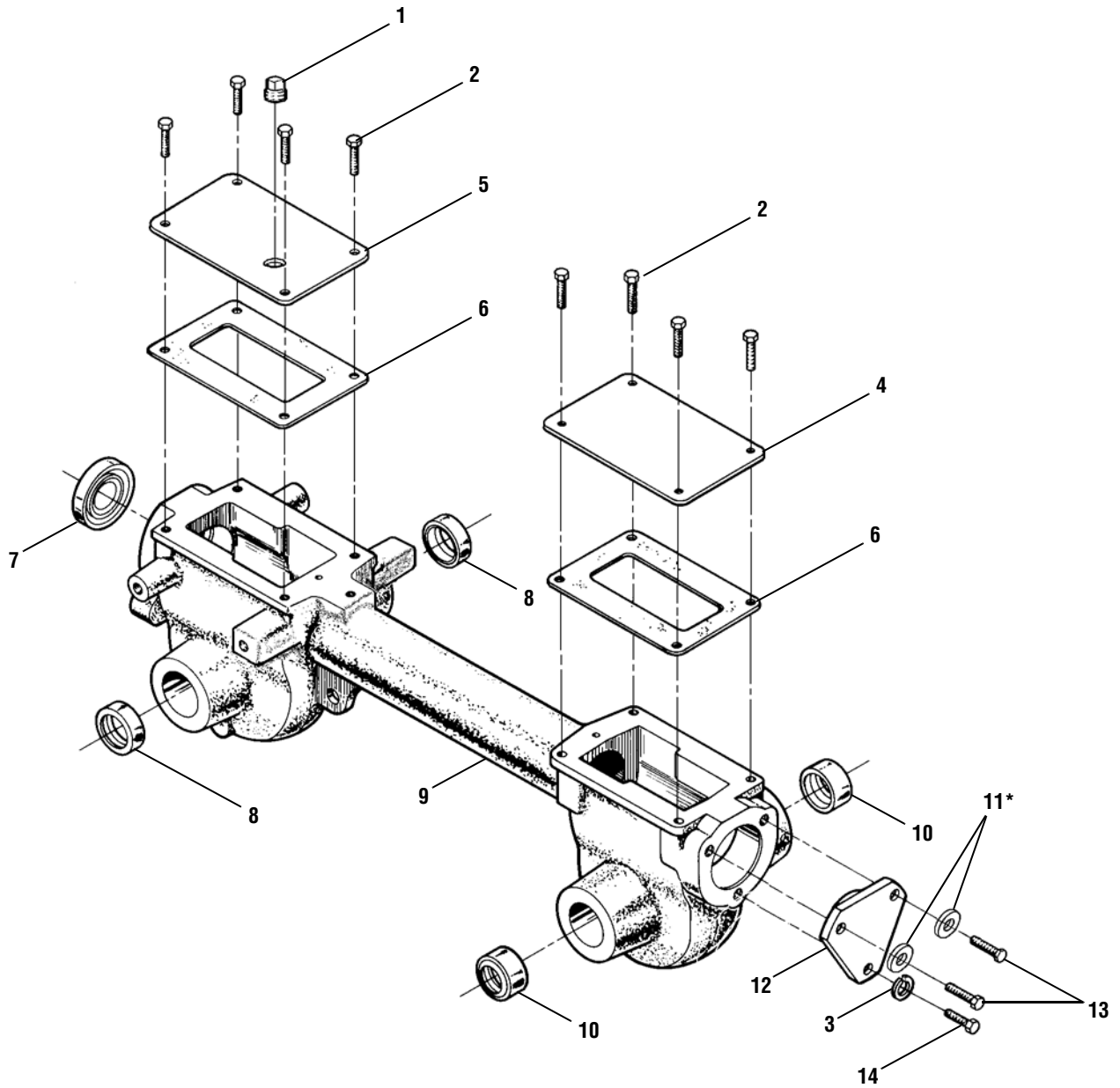
MODELS 644H & 645A



REF NO.	PART NO.	DESCRIPTION
1	GW-9512	Retainer, Snap Ring, "E" Type
2	1909950	Retainer, Snap Ring
3	GW-1166-1*	Shim, 0.062" thick
	GW-1166-2*	Shim, 0.030" thick
	GW-1166-3*	Shim, 0.015" thick
	GW-1166-4*	Shim, 0.010" thick
	GW-1166-5*	Shim, 0.005" thick
4	GW-1086	Bronze Bushing
5	711-04092	Wheel Shaft (CRT)
6	GW-9305	Key, Hi-Pro, 1/4 x 1
7	GW-1132-2	Spacer
8	1904278	Worm Gear, Wheel Shaft
9	711-04078	Tiller Shaft
10	GW-1104	Woodruff Key
11	1916542	Worm Gear, Tiller Shaft

* Use as required to obtain between .005" and .030" allowable end-play.

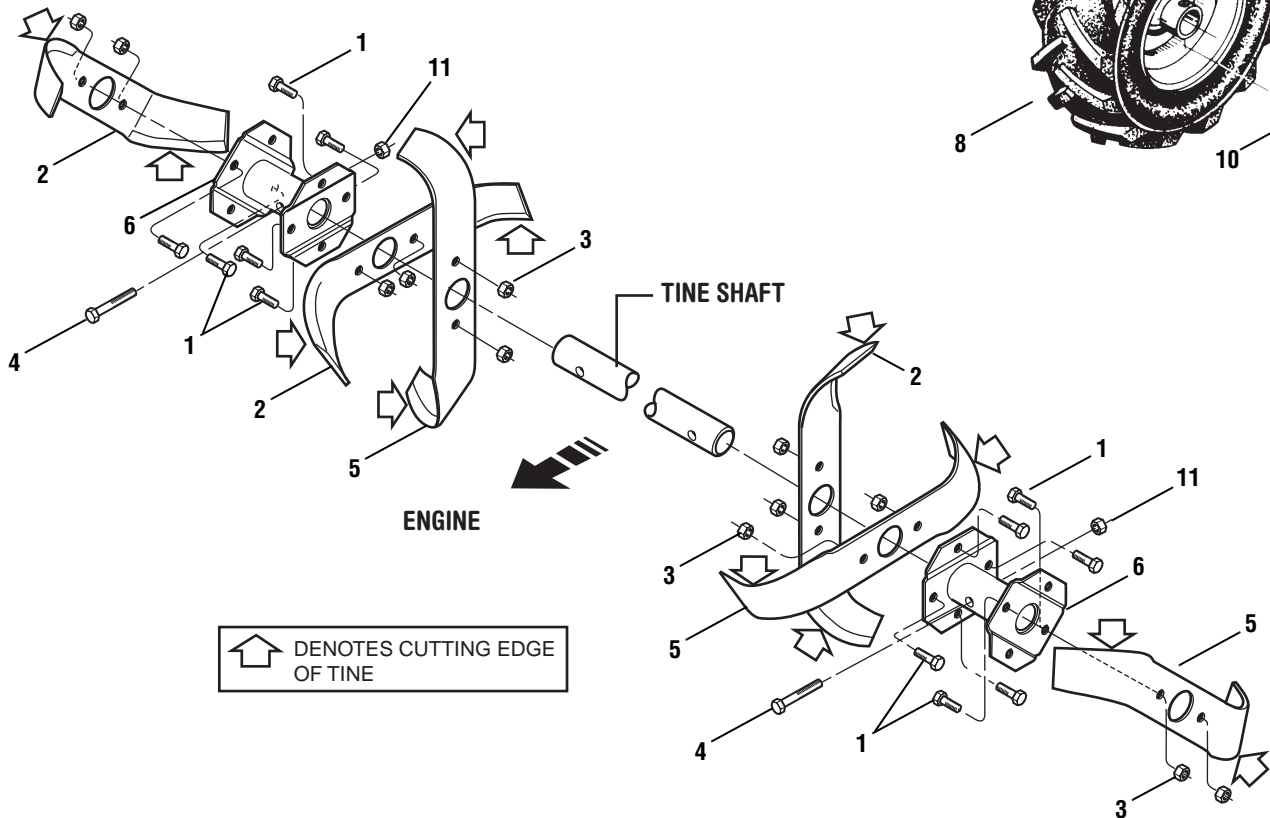
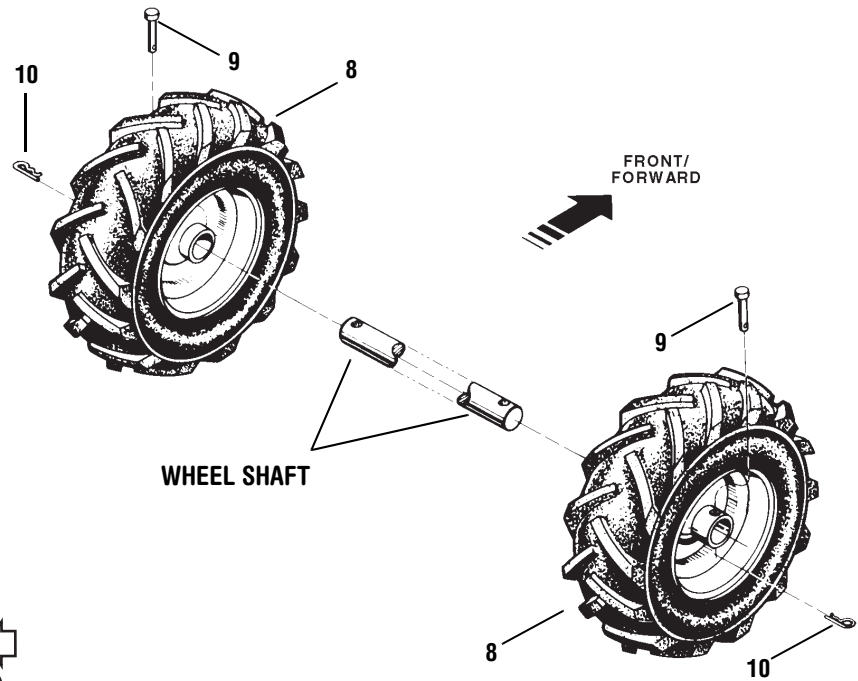
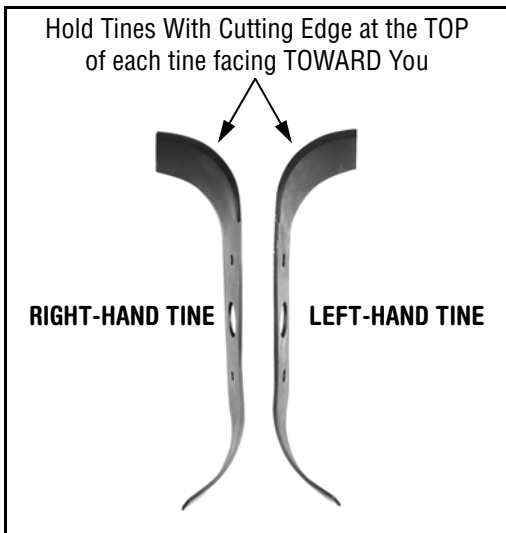
MODELS 644H & 645A



* Included with transmission when purchased as an assembly only. Remove and discard when installing the transmission on tiller.

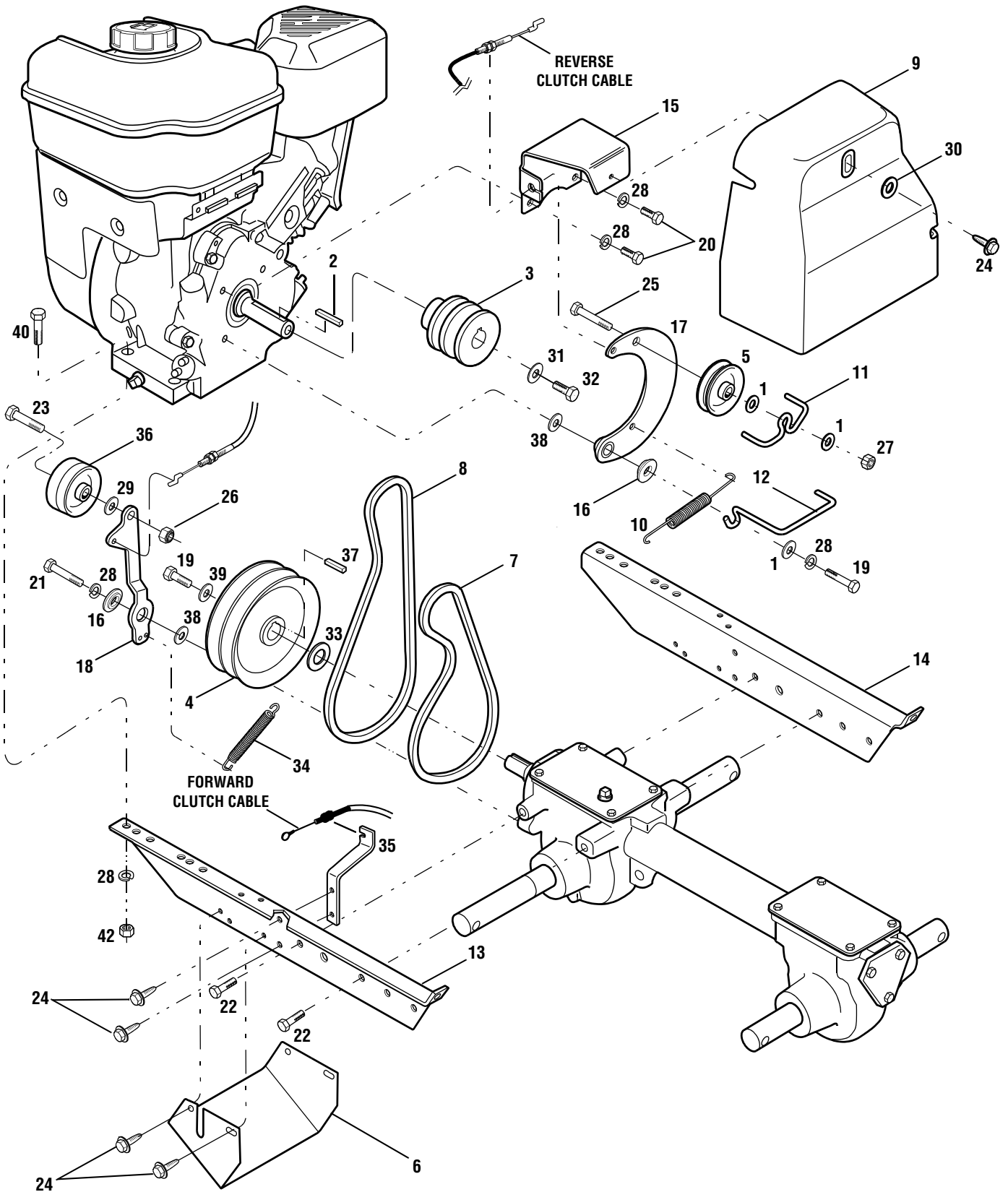
REF NO.	PART NO.	DESCRIPTION	REF NO.	PART NO.	DESCRIPTION
1	GW-9727	Plug, Transmission Oil Fill	8	721-04031	Oil Seal, Wheel Shaft
2	710-04049	Hex Hd. Flange Screw, 5/16-18 x 5/8, Gr. 5	9	619-04013	Transmission Housing Assembly
3	736-0119	Lock Washer, 5/16	10	721-04036	Oil Seal, Tine Shaft
4	1918377	Rear Cover, Transmission	11	736-3008*	Washer, Flat, .344 x .750 x .120
5	1916641	Front Cover, Transmission	12	718-04008	Rear Bearing Cap
6	GW-50032	Gasket, Housing Cover	13	710-04048	Hex Hd. Flange Screw, 5/16-18 x 1
7	721-04030	Oil Seal, Drive Shaft	14	710-3008	Hex Hd. Flange Screw, 5/16-18 x 3/4

MODELS 644H & 645A



REF NO.	PART NO.	DESCRIPTION	REF NO.	PART NO.	DESCRIPTION
1	710-3008	Hex Hd. Screw, 5/16-18 x 3/4, Grade 5	9	GW-9380	Clevis Pin, .312" x 1-3/4"
2	1817060	Single Tine - Right Hand	10	GW-9338	Hair Pin Cotter
3	712-3009	Hex Lock Nut, 5/16-18	11	712-3000	Hex Lock Nut, 3/8-16
4	710-3096	Hex Hd. Screw, 3/8-16 x 2	—	642-04005	RH Tine Assembly (Incl. two RH tines and one LH tine assembled to RH tine holder)
5	1817059	Single Tine - Left Hand	—	642-04006	LH Tine Assembly (Incl. two LH tines and one RH tine assembled to LH tine holder)
6	1916702	LH Tine Holder			
7	1916703	RH Tine Holder			
8	1917487	Wheel & Tire Ass'y — Left/Right Side			

MODELS 644H & 645A



REF NO.	PART NO.	DESCRIPTION
1	736-0159	Flat Washer, 5/16
2	1108841	Key, 3/16" x 1-1/2"
3	619-04016	Pulley, Engine Drive
4	1916532	Transmission Pulley
5	1916535	Pulley, Reverse Idler
6	1916652	Guard, Belts/Pulleys
7	1916657	Forward Drive Belt
8	1916658	Reverse Drive Belt
9	1916660	Belt Cover
10	1916724	Reverse Return Spring
11	1916725	Belt Guide
12	1916726	Forward Belt Guide
13	1916794	Engine Bracket, Left
14	1916795	Engine Bracket, Right
15	1917326	Bracket, Belt Cover
16	1917746	Shoulder Washer
17	1918731	Reverse Idler Arm
18	1918744	Forward Idler Lever
19	710-0117	Hex Hd. Screw, 5/16-24 x 1
20	710-0237	Hex Hd. Screw, 5/16-24 x 5/8
21	710-0376	Hex Hd. Screw, 5/16-18 x 1
22	710-04049	Hex Hd. Screw, 5/16-18 x 5/8
23	710-0520	Hex Hd. Screw, 3/8-16 x 1-1/2
24	710-0599	Screw, Self-Tapping, 1/4-20 x 1/2
25	710-3103	Hex Hd. Screw, 5/16-18 x 2
26	712-3000	Lock Nut, 3/8-16
27	712-3009	Lock Nut, 5/16-18
28	736-0119	Lock Washer, 5/16
29	736-3050	Flat Washer, 3/8
30	736-3090	Flat Washer
31	736-0452	Bell Washer
32	710-0459A	Hex Hd. Screw, 3/8-24 x 1.5, GR5
33	GW-50027	Support Washer
34	GW-55034	Forward Return Spring
35	GW-55049	Bracket, Cable Mounting
36	GW-9090	Forward Idler Pulley
37	GW-9301	Key, 3/16" x 1"
38	736-3078	Flat Washer
39	GW-9944	Belleville Washer
40	710-0395	Hex Screw, 5/16-18 x 2.25 Gr5