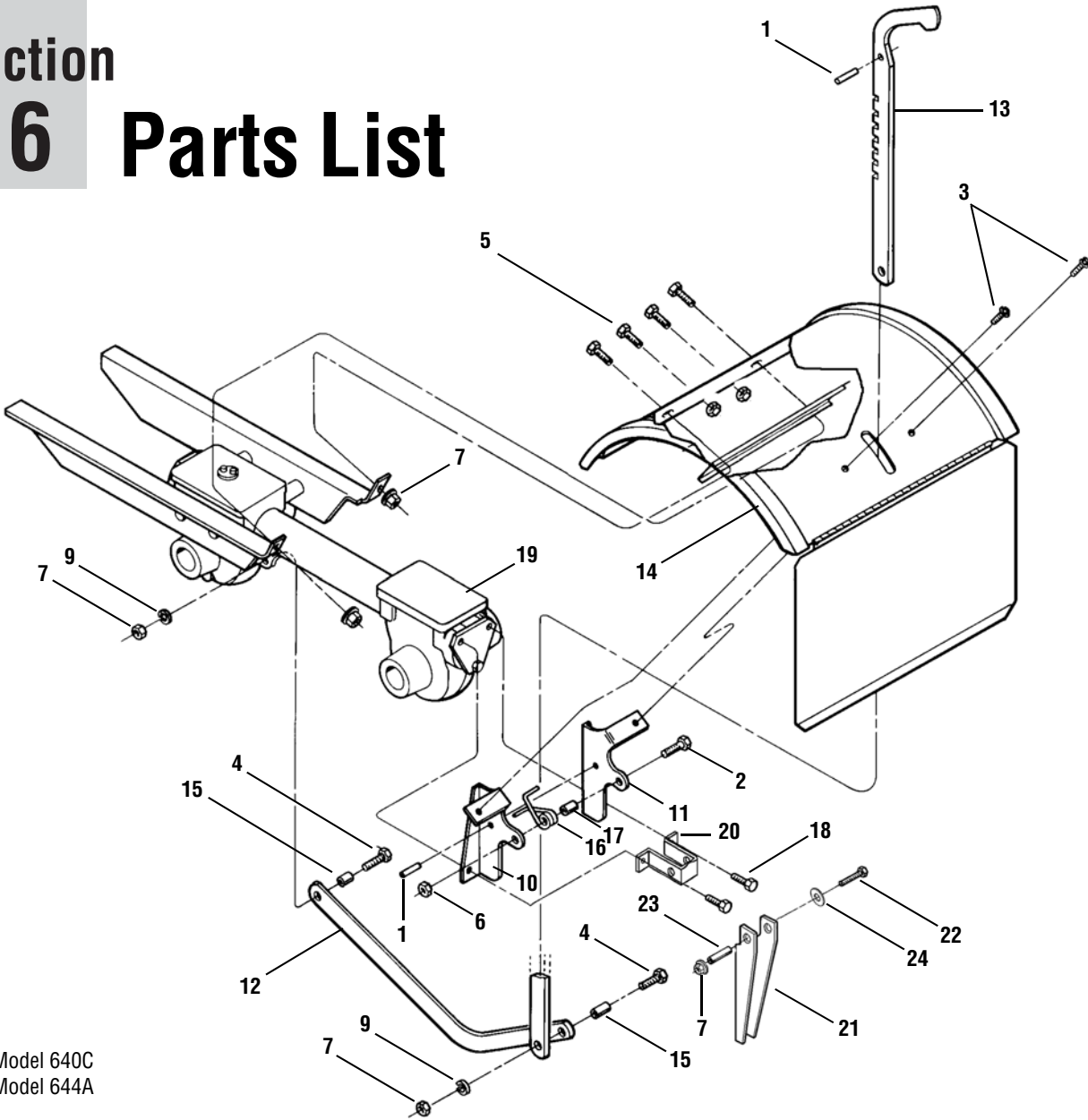


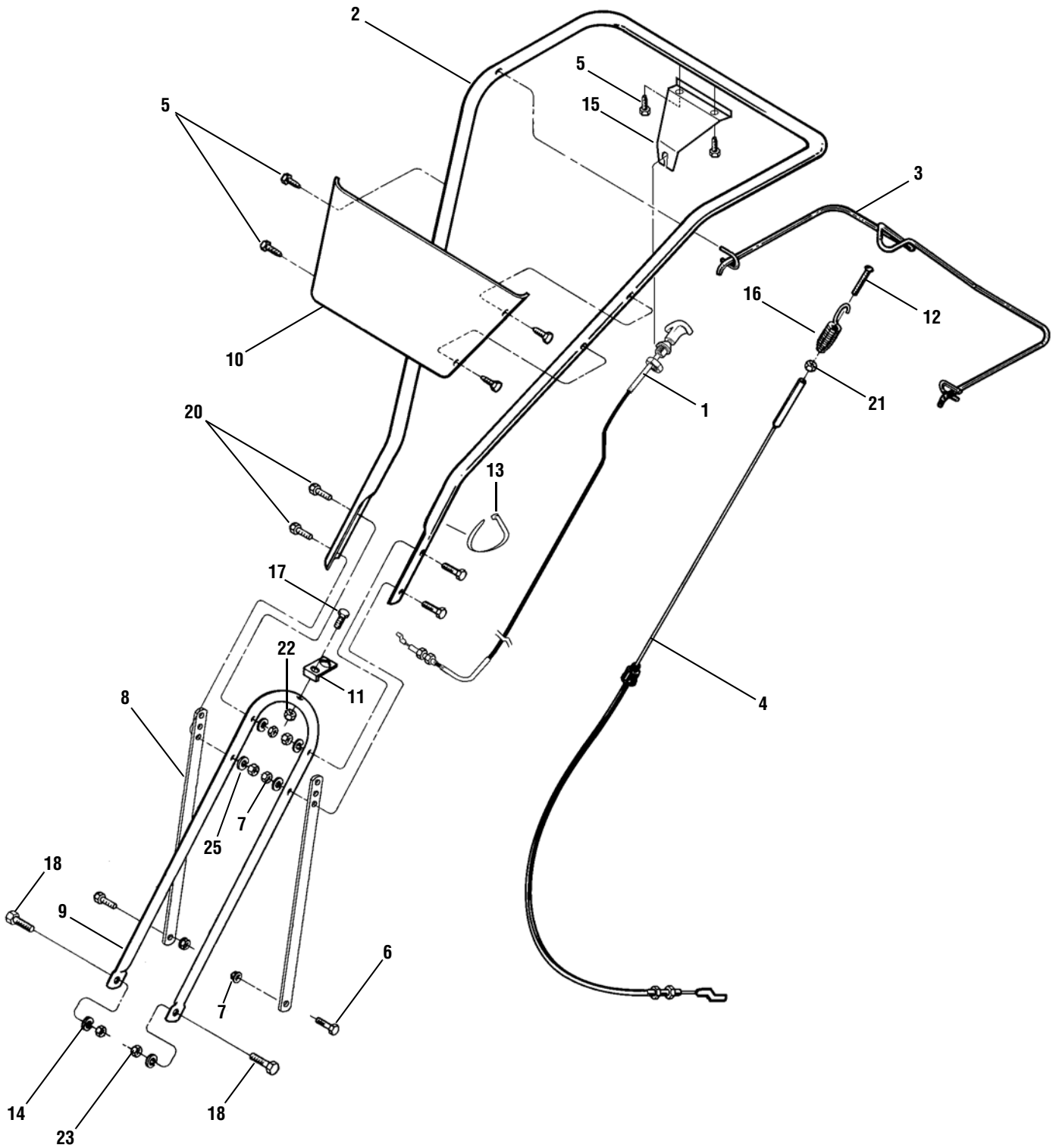
Section 6 Parts List



(A) For Model 640C
(B) For Model 644A

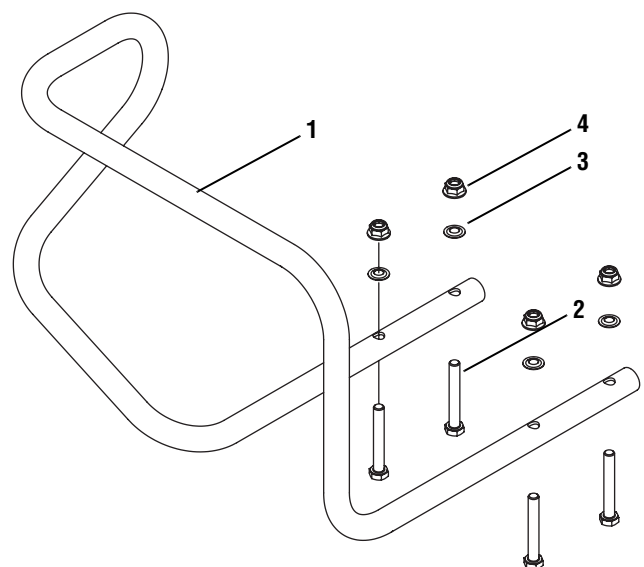
REF NO.	PART NO.	DESCRIPTION	REF NO.	PART NO.	DESCRIPTION
1	715-0108	Spirol Pin	14	686-04043	Tine Hood Assembly (A)
2	710-0597	Hex Hd. Screw, 1/4-20 x 1		686-04041	Tine Hood Assembly (B)
3	710-0599	Screw, Self-Tapping, 1/4-20 x 1/2	15	GW-55088	Bushing
4	710-0874	Hex Hd. Screw, 5/16-18 x 1-1/4	16	GW-9384	Spring, Depth Regulator
5	710-3008	Hex Hd. Screw, 5/16-18 x .75	17	GW-9534	Spacer
6	712-04064	Hex Lock Nut, Nylon, 1/4-20	18	710-04048	Hex Hd. Flange Screw, 5/16-18 x 1
7	712-04063	Hex Lock Nut, Nylon, 5/16-18	19	618-04254	Transmission Assembly (A)
8	1916707	Channel Support Bracket		618-04046	Transmission Assembly (B)
9	736-0119	Lock Washer, 5/16	20	786-04191	Flap Stop Bracket
10	GW-55013-1	Hood Bracket, Left Hand	21	1916570	Reverse Stop Arm
11	GW-55013-2	Hood Bracket, Right Hand	22	710-0395	Hex Screw, 5/16-18 x 2.25
12	GW-55015	Drag Bar	23	1916771	Spacer, .462 x .328 x 1.63
13	GW-55018	Depth Regulator Lever	24	736-0275	Flat Washer, 5/16

MODELS 640C & 644A



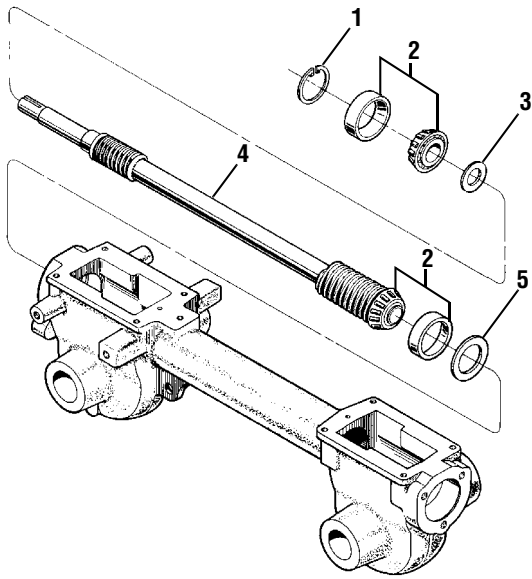
REF NO.	PART NO.	DESCRIPTION
1	1916719	Cable Assembly, Reverse Clutch (B)
2	1916755	Upper Handlebar
3	747-04210	Bail, Forward Clutch
4	1918745	Cable Assembly, Forward Clutch
5	710-0599	Screw, Self-Tapping, 1/4-20 x 1/2
6	710-3008	Screw, Hex, 5/16-18 x 3/4
7	712-3009	Hex Lock Nut, 5/16-18
8	786-04188	Handlebar Support
9	GW-55043	Lower Handlebar
10	786-04200	Panel
11	GW-55044	Tab, Conduit Mount
12	GW-9855	Screw, #10-24 x 2
13	725-0157	Cable Tie
14	736-3050	Flat Washer, 3/8
15	732-04040	Bracket, Reverse Clutch Cable (B)
16	732-04185	Spring, Forward Clutch
17	710-0106	Hex Hd. Screw, 1/4-20 x 1-1/4
18	710-0216	Screw, Hex, 3/8-16 x 3/4
20	710-0805	Screw, Hex, 5/16-18 x 1-1/2
21	712-0121	Hex Nut, #10-24
22	712-0291	Hex Lock Nut, 1/4-20
23	712-3000	Hex Nut, 3/8-16
25	736-0119	Lock Washer, 5/16

REF NO.	PART NO.	DESCRIPTION
1	749-04193	Bumper (B)
2	710-0395	Hex Screw, 5/16-18 x 2-1/4, Gr5 (B)
3	726-0201	Nut, Speed, 5/16-18 (B)
4	712-04063	Hex Lock Nut, Nylon, 5/16-18 (B)



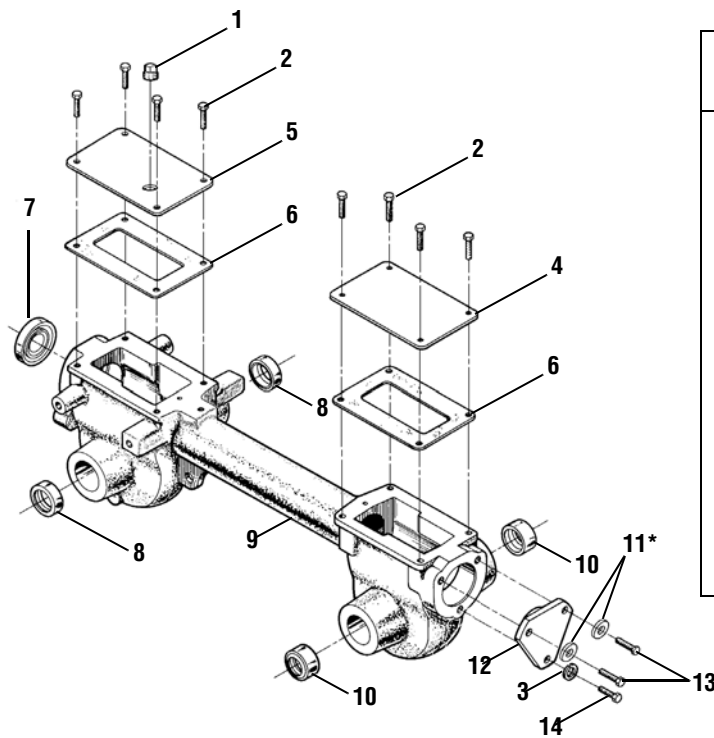
(A) For Model 640C
(B) For Model 644A

MODELS 640C & 644A



REF NO.	PART NO.	DESCRIPTION
1	GW-9517	Snap Ring
2	GW-1714	Bearing, Tapered Roller (with race)
3	GW-50043	Support Washer, Rear
4	711-04110	Drive Shaft
5	GW-1224-1*	Shim, Rear Bearing Cap, .010" thick
	GW-1224-2*	Shim, same as above, except .030" thick
	GW-1224-3*	Shim, same as above, except .005" thick
	GW-1224-4*	Shim, same as above, except .062" thick
—	GW-1325C	Shim Set (Incl. the following shims: two #1224-1, two 1224-2 & one #1224-4)

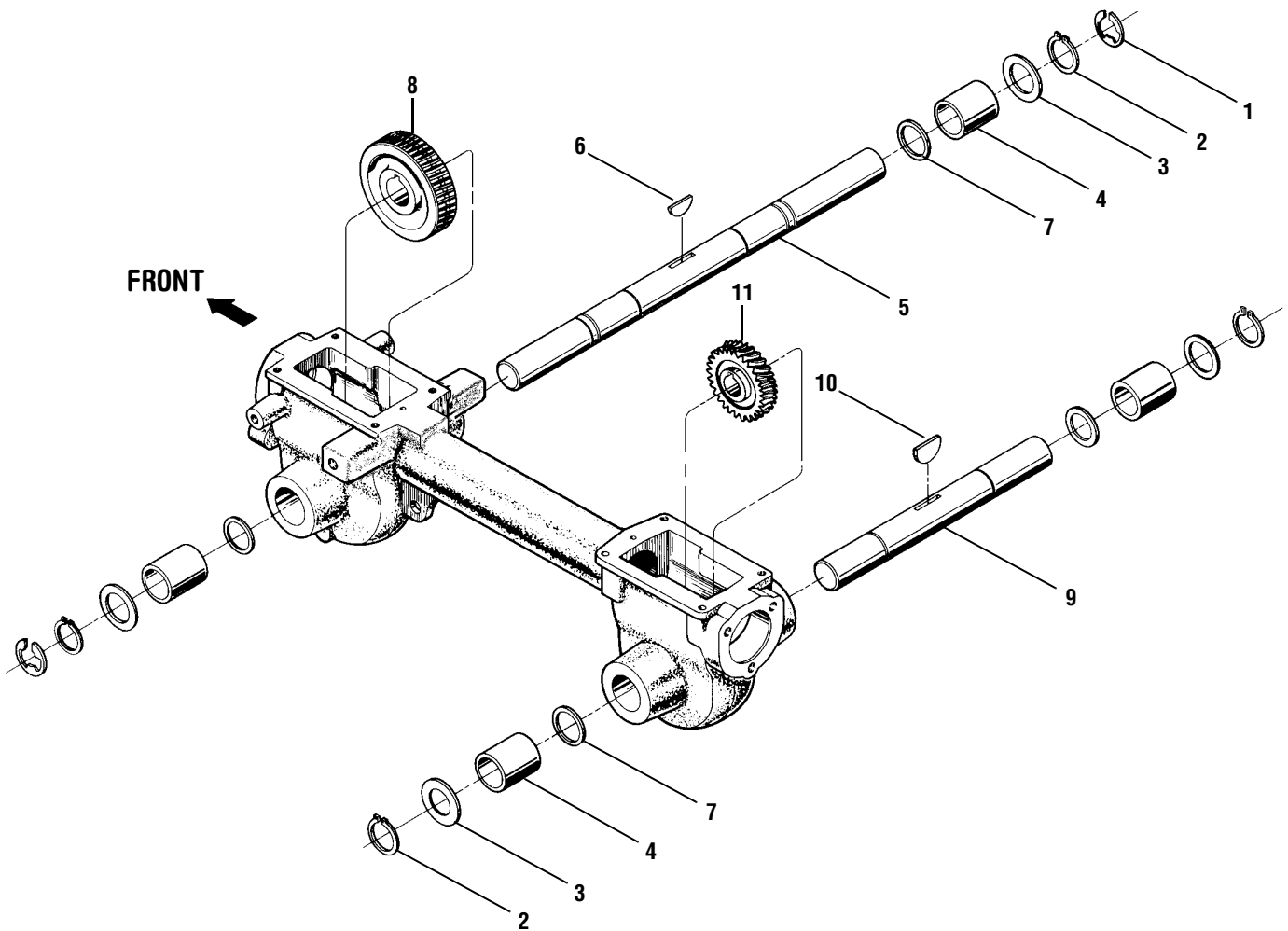
* Use as required to obtain between .005" and .015" allowable end-play.



REF NO.	PART NO.	DESCRIPTION
1	GW-9727	Plug, Transmission Oil Fill
2	710-04049	Hex Hd. Flange Screw, 5/16-18 x 5/8, Gr. 5
3	736-0119	Lock Washer, 5/16
4	1918377	Rear Cover, Transmission
5	1916641	Front Cover, Transmission
6	GW-50032	Gasket, Housing Cover
7	721-04030	Oil Seal, Drive Shaft
8	721-04031	Oil Seal, Wheel Shaft
9	619-04013	Transmission Housing Assembly
10	721-04036	Oil Seal, Tine Shaft
11	736-3008*	Washer, Flat, .344 x .750 x .120
12	718-04008	Rear Bearing Cap
13	710-04048	Hex Hd. Flange Screw, 5/16-18 x 1
14	710-3008	Hex Hd. Flange Screw, 5/16-18 x 3/4

*Included with transmission when purchased as an assembly only.
Remove and discard when installing the transmission on tiller.

MODELS 640C & 644A

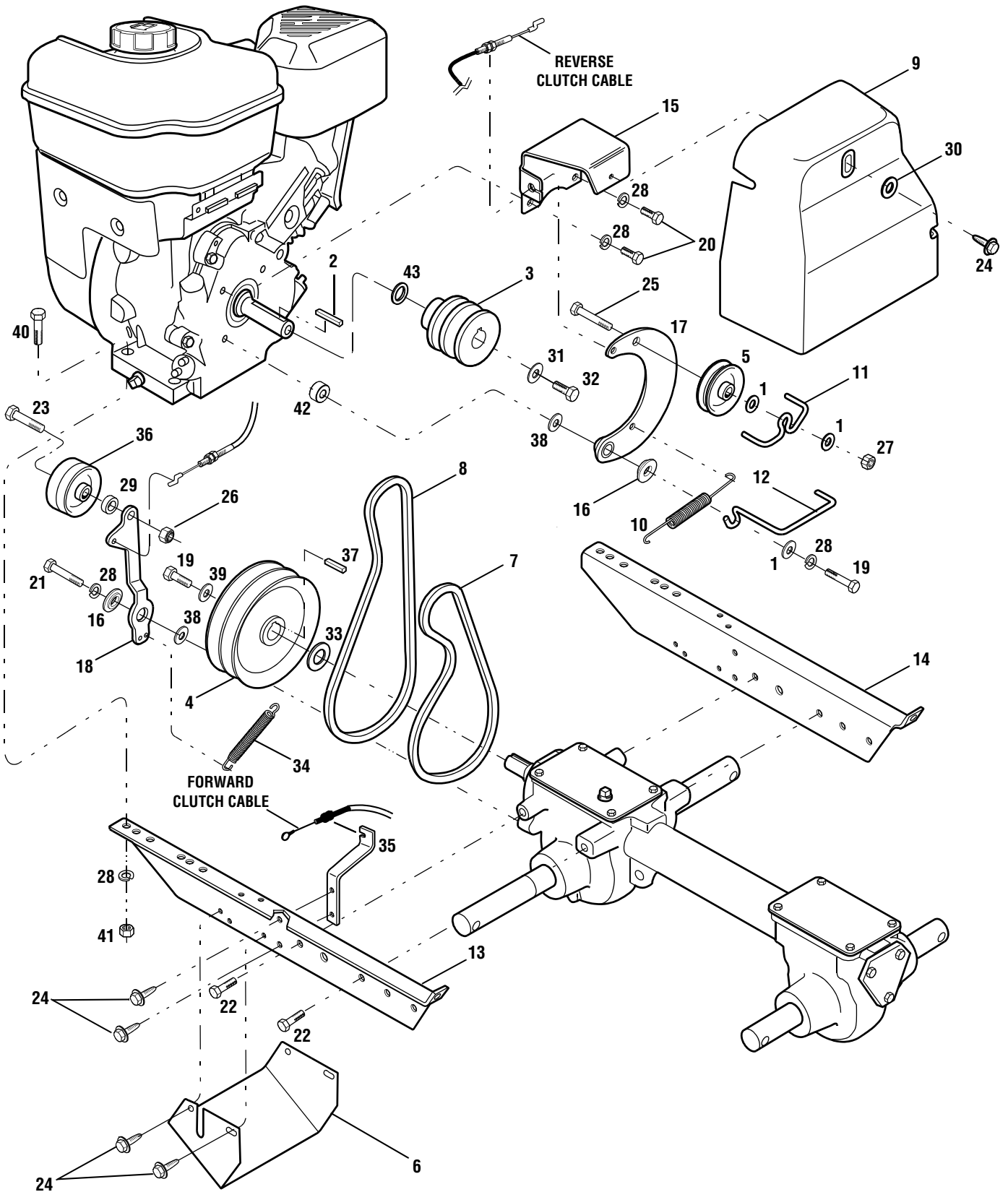


REF NO.	PART NO.	DESCRIPTION
1	GW-9512	Retainer, Snap Ring, "E" Type
2	1909950	Retainer, Snap Ring
3	GW-1166-1*	Shim, 0.062" thick
	GW-1166-2*	Shim, 0.030" thick
	GW-1166-3*	Shim, 0.015" thick
	GW-1166-4*	Shim, 0.010" thick
	GW-1166-5*	Shim, 0.005" thick
4	GW-1086	Bronze Bushing
5	711-04088	Wheel Shaft (A)
	711-04092	Wheel Shaft (B)
6	GW-9305	Key, Hi-Pro, 1/4 x 1
7	GW-1132-2	Spacer
8	1904278	Worm Gear, Wheel Shaft
9	711-04078	Tiller Shaft
10	GW-1104	Woodruff Key
11	1916542	Worm Gear, Tiller Shaft

(A) For Model 640C
(B) For Model 644A

* Use as required to obtain between .005" and .030" allowable end-play.

MODELS 640C & 644A



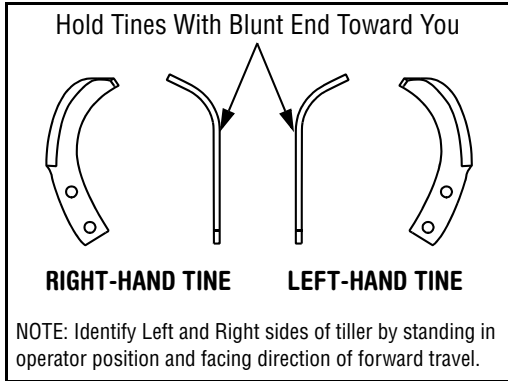
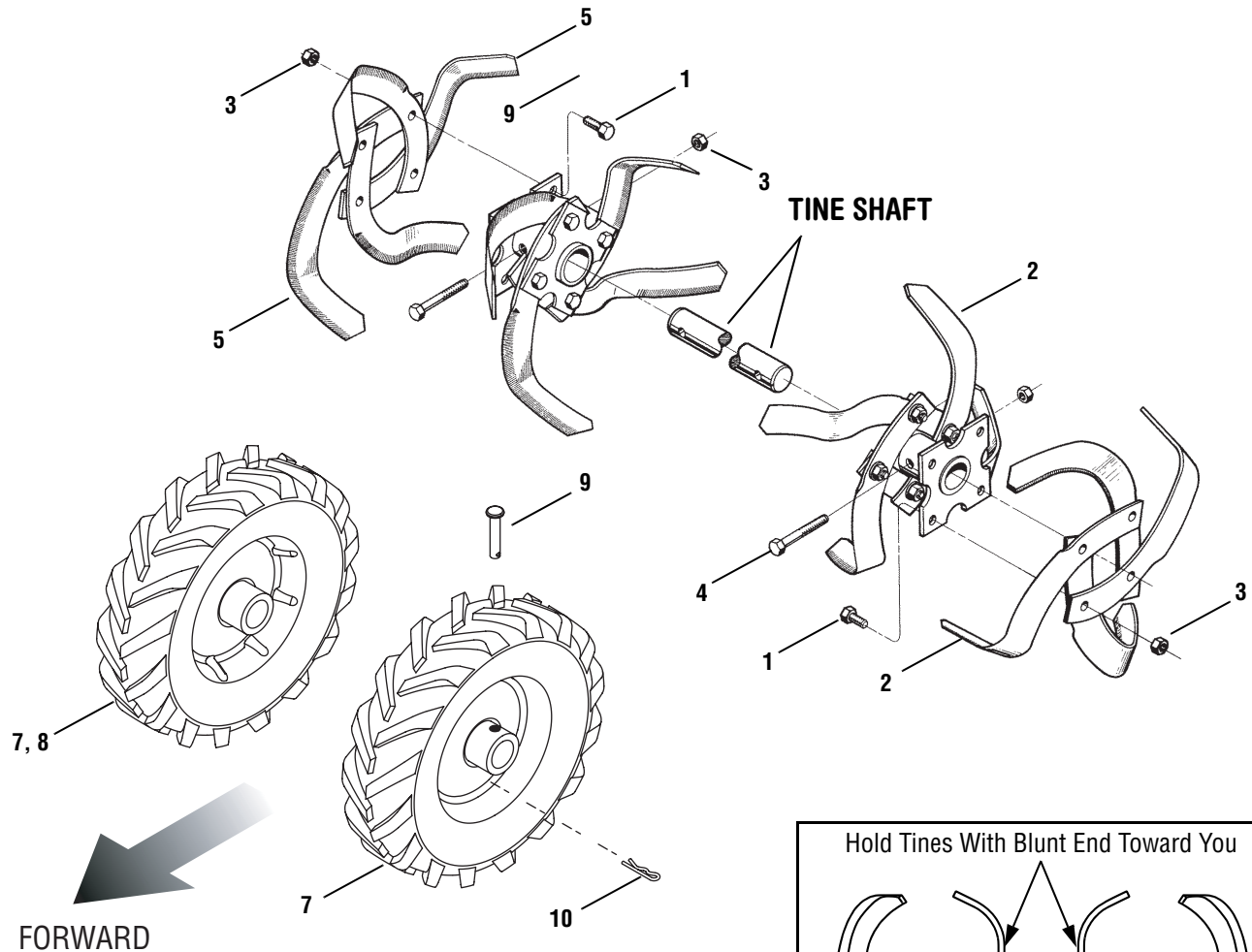
MODELS 640C & 640A

REF NO.	PART NO.	DESCRIPTION	REF NO.	PART NO.	DESCRIPTION
1	736-0159	Flat Washer, 5/16	22	710-04049	Hex Hd. Screw, 5/16-18 x 5/8
2	714-0139	Key, 3/16" x 2" (A)	23	710-0347	Hex Hd. Screw, 3/8-16 x 1-3/4
	1108841	Key, 3/16" x 1-1/2" (B)	24	710-0599	Screw, Self-Tapping, 1/4-20 x 1/2
3	1916351	Pulley, Engine Drive	25	710-3103	Hex Hd. Screw, 5/16-18 x 2 (B)
4	656-04023	Transmission Pulley (A)	26	712-3000	Lock Nut, 3/8-16
	656-04005	Transmission Pulley (B)	27	712-3009	Lock Nut, 5/16-18
5	1916535	Pulley, Reverse Idler (B)	28	736-0119	Lock Washer, 5/16
6	1916652	Guard, Belts/Pulleys	29	750-0535	Spacer, .380 ID x .625 OD x .21
7	1916657	Forward Drive Belt	30	736-3090	Flat Washer
8	1916658	Reverse Drive Belt (B)	31	736-0452	Bell Washer
9	1916660	Belt Cover	32	710-0151	Hex Hd. Screw, 3/8-24 x 2.0, GR5
10	1916724	Reverse Return Spring (B)	33	GW-50027	Support Washer
11	1916725	Belt Guide (B)	34	GW-55034	Forward Return Spring
12	1916726	Forward Belt Guide	35	GW-55049	Bracket, Cable Mounting
13	1916794	Engine Bracket, Left	36	GW-9090	Forward Idler Pulley
14	1916795	Engine Bracket, Right	37	GW-9301	Key, 3/16" x 1"
15	1917326	Bracket, Belt Cover	38	736-3078	Flat Washer
16	1917746	Shoulder Washer	39	GW-9944	Belleville Washer
17	1918731	Reverse Idler Arm (B)	40	710-0395	Hex Screw, 5/16-18 x 2.25 Gr5 (A)
18	1918744	Forward Idler Lever	41	712-3010	Nut, Hex Lock, 5/16-18 (A)
19	710-0627	Hex Hd. Screw, 5/16-24 x 1.25 (A)	42	750-0258	Spacer, Shoulder (A)
	710-0117	Hex Hd. Screw, 5/16-24 x 1 (B)	43	736-0315	Washer, Flat, .75 x 1.5 x .125 (A)
20	710-0237	Hex Hd. Screw, 5/16-24 x 5/8		GW-1138-2	Shim, 1.0 x .765 x .031 (B)
21	710-0376	Hex Hd. Screw, 5/16-18 x 1			

(A) For Model 640C

(B) For Model 644A

MODELS 640C & 644A



REF NO.	PART NO.	DESCRIPTION
1	710-0514	Hex Hd. Screw, 3/8-16 x 1, Grade 5
2	GW-50049-02	Single Bolo Tine - Left Hand
3	712-3000	Hex Lock Nut, 3/8-16
4	710-0347	Hex Hd. Screw, 3/8-16 x 1-3/4
5	GW-50049-01	Single Bolo Tine - Right Hand
6	1915075	Tine Holder (A)
	1916747	Tine Holder (B)
7	1917486	Wheel & Tire Ass'y — Left/Right Side (B)
	734-04162	Wheel & Tire Ass'y — Left Side Only (A)
8	734-04161	Wheel & Tire Ass'y — Right Side Only (A)
9	GW-9380	Clevis Pin, .312" x 1-3/4"
10	GW-9338	Hair Pin Cotter
—	GW-1901	Bolo Tine Replacement Set (Incl. eight right-hand tines, eight left-hand tines and required hardware. (A) (B))

(A) For Model 640C
(B) For Model 644A