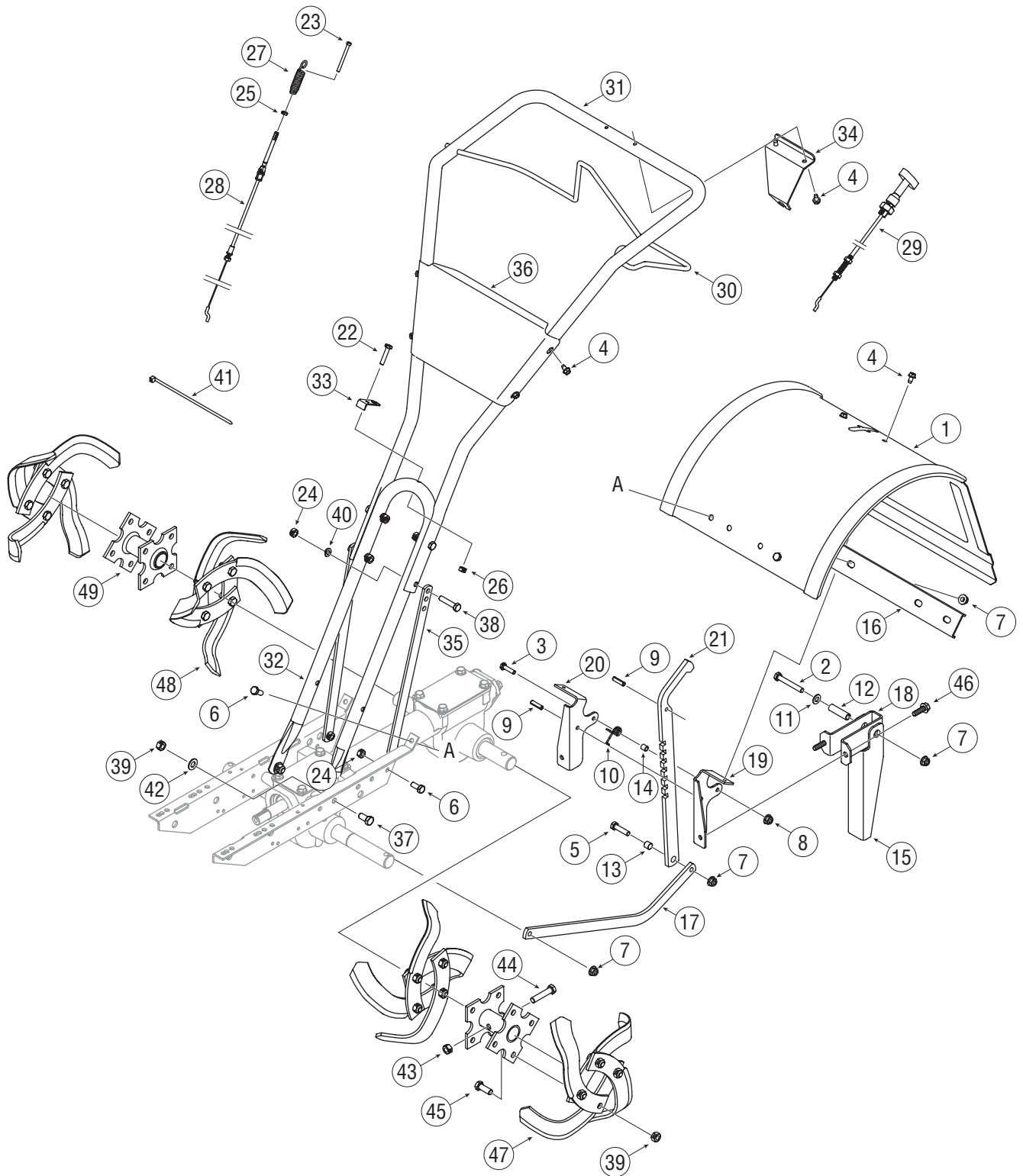


# Models 643C, 643B & 645A



# MODELS 643C, 643B & 645A

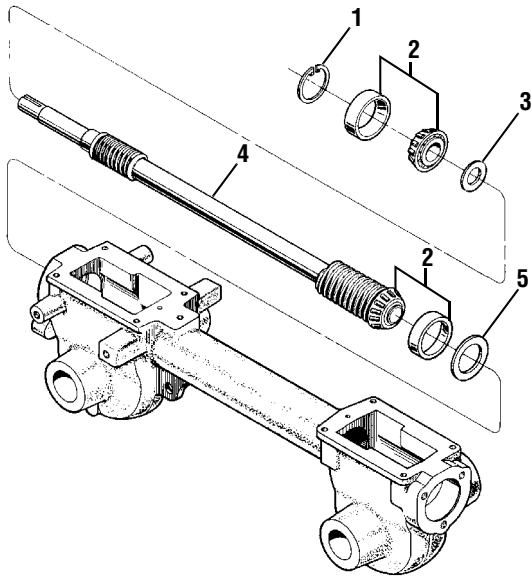
REF NO.	PART NO.	DESCRIPTION	REF NO.	PART NO.	DESCRIPTION
1	686-04043	Tine Hood Assembly <b>(A)</b>	27	732-04185	Spring, Forward Clutch
	686-04041	Tine Hood Assembly <b>(B) (C)</b>	28	746-04208	Cable Assembly, Forward Clutch
2	710-0395	Hex Screw, 5/16-18 x 2.25	29	746-04058	Cable Assembly, Reverse Clutch <b>(B) (C)</b>
3	710-0597	Hex Hd. Screw, 1/4-20 x 1	30	747-04210	Bail, Forward Clutch
4	710-0599	Screw, Self-Tapping, 1/4-20 x 1/2	31	749-04084	Upper Handlebar
5	710-0874	Hex Hd. Screw, 5/16-18 x 1-1/4	32	749-04208	Lower Handlebar
6	710-3008	Hex Hd. Screw, 5/16-18 x .75	33	749-04106	Tab, Conduit Mount
7	712-04063	Hex Lock Nut, Nylon, 5/16-18	34	732-04040	Bracket, Reverse Clutch Cable <b>(B) (C)</b>
8	712-04064	Hex Lock Nut, Nylon, 1/4-20	35	786-04188	Handlebar Support
9	715-0108	Spirol Pin	36	786-04200	Panel
10	732-04320	Spring, Depth Regulator	37	710-0216	Screw, Hex, 3/8-16 x 3/4
11	736-0275	Flat Washer, 5/16	38	710-0805	Screw, Hex, 5/16-18 x 1-1/2
12	750-04149	Spacer, .462 x .328 x 1.63	39	712-3000	Hex Lock Nut, 3/8-16
13	750-04160	Bushing	40	736-0119	Lock Washer, 5/16
14	750-04556	Spacer	41	725-0157	Cable Tie
15	786-04092	Reverse Stop Arm	42	736-3050	Flat Washer, 3/8
16	786-04098	Channel Support Bracket	43	712-04065	Flange Lock Nut 3/8-16
17	786-04104	Drag Bar	44	710-0347	Hex Hd. Screw, 3/8-16 x 1-3/4
18	786-04191	Flap Stop Bracket	45	710-0514	Hex Hd. Screw, 3/8-16 x 1, Grade 5
19	786-04290	Hood Bracket, Left Hand	46	710-04048	Flange Screw .312-18 x 1.00
20	786-04291	Hood Bracket, Right Hand	47	742-04117	Single Bolo Tine - Left Hand
21	786-04292	Adjustable Depth Bar	48	742-04116	Single Bolo Tine - Right Hand
22	710-0106	Hex Hd. Screw, 1/4-20 x 1-1/4	49	686-04066	Tine Holder <b>(A)</b>
23	710-04163	Screw, #10-24 x 2		686-04065	Tine Holder <b>(B) (C)</b>
24	712-3009	Hex Lock Nut, 5/16-18		GW-1901	Bolo Tine Replacement Set <i>(Incl. eight right-hand tines, eight left-hand tines and required hardware).</i> <b>(A) (B) (C)</b>
25	712-0121	Hex Nut, #10-24			
26	712-0291	Hex Lock Nut, 1/4-20			

**(A)** For Model 643C

**(B)** For Model 643B

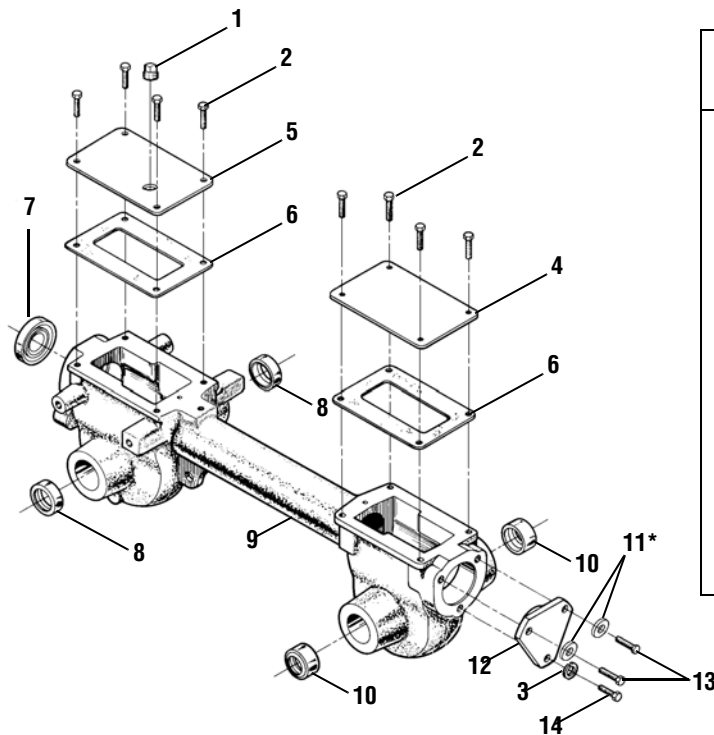
**(C)** For Model 645A

# MODELS 643C, 643B & 645A



REF NO.	PART NO.	DESCRIPTION
1	GW-9517	Snap Ring
2	GW-1714	Bearing, Tapered Roller (with race)
3	GW-50043	Support Washer, Rear
4	711-04110	Drive Shaft
5	GW-1224-1*	Shim, Rear Bearing Cap, .010" thick
	GW-1224-2*	Shim, same as above, except .030" thick
	GW-1224-3*	Shim, same as above, except .005" thick
	GW-1224-4*	Shim, same as above, except .062" thick
—	GW-1325C	Shim Set (Incl. the following shims: two #1224-1, two 1224-2 & one #1224-4)

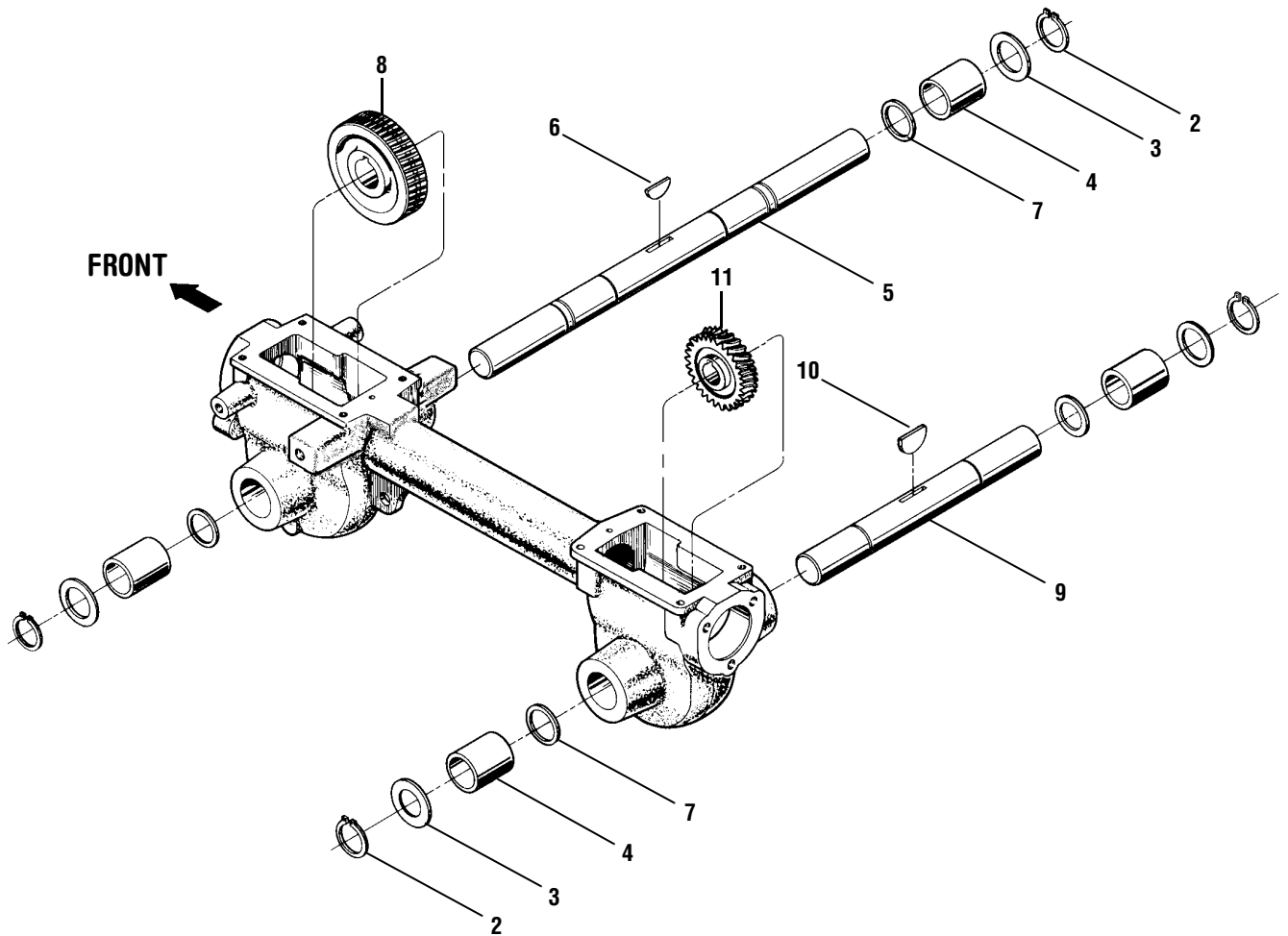
\* Use as required to obtain between .005" and .015" allowable end-play.



REF NO.	PART NO.	DESCRIPTION
1	GW-9727	Plug, Transmission Oil Fill
2	710-04049	Hex Hd. Flange Screw, 5/16-18 x 5/8, Gr. 5
3	736-0119	Lock Washer, 5/16
4	1918377	Rear Cover, Transmission
5	1916641	Front Cover, Transmission
6	GW-50032	Gasket, Housing Cover
7	721-04030	Oil Seal, Drive Shaft
8	721-04031	Oil Seal, Wheel Shaft
9	619-04013	Transmission Housing Assembly
10	721-04036	Oil Seal, Tine Shaft
11	736-3008*	Washer, Flat, .344 x .750 x .120
12	718-04008	Rear Bearing Cap
13	710-04048	Hex Hd. Flange Screw, 5/16-18 x 1
14	710-3008	Hex Hd. Flange Screw, 5/16-18 x 3/4

\* Included with transmission when purchased as an assembly only.  
Remove and discard when installing the transmission on tiller.

# MODELS 643C, 643B & 645A

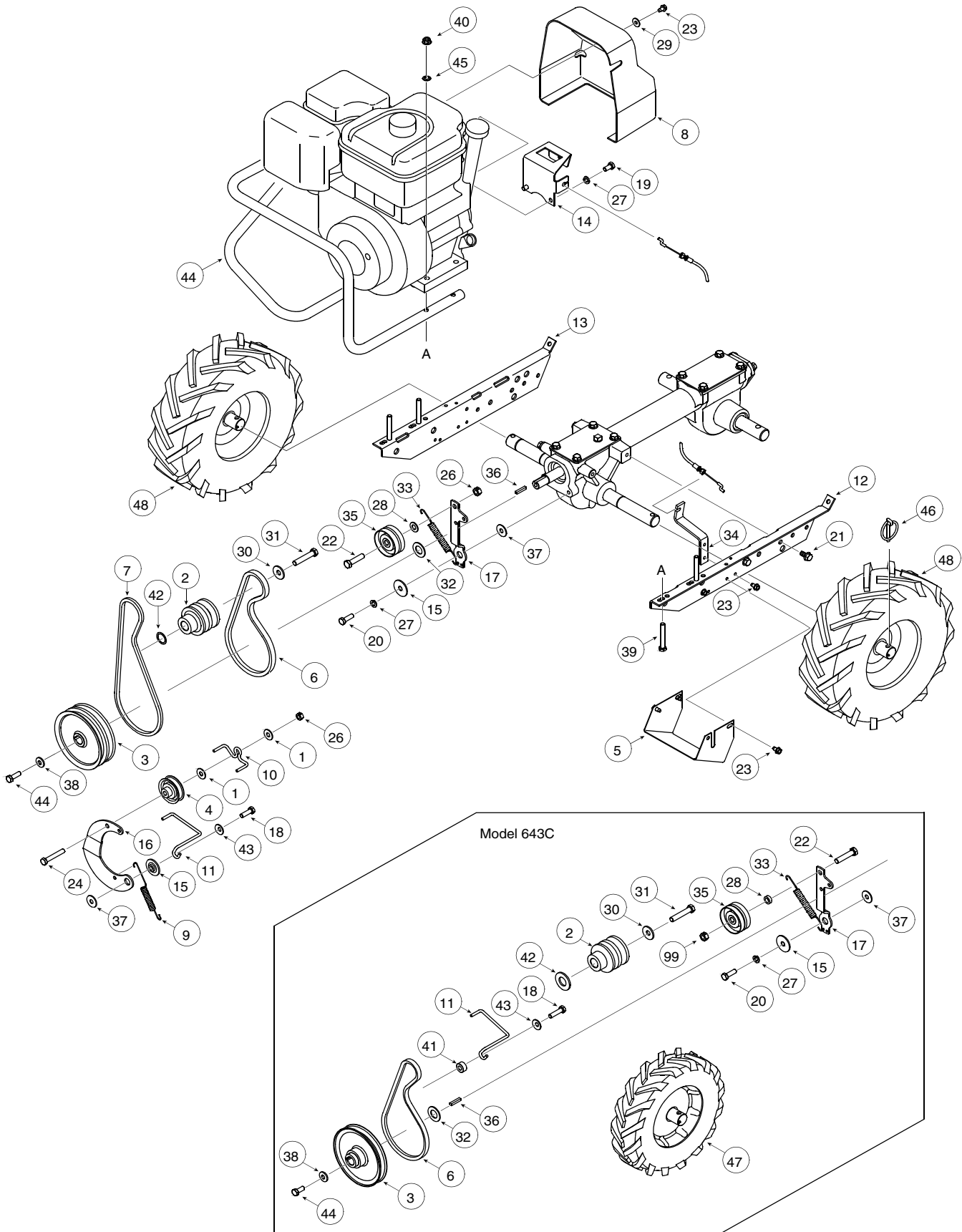


REF NO.	PART NO.	DESCRIPTION
2	1909950	Retainer, Snap Ring
3	GW-1166-1*	Shim, 0.062" thick
	GW-1166-2*	Shim, 0.030" thick
	GW-1166-3*	Shim, 0.015" thick
	GW-1166-4*	Shim, 0.010" thick
	GW-1166-5*	Shim, 0.005" thick
4	GW-1086	Bronze Bushing
5	711-04512	Wheel Shaft <b>(A)</b>
	711-04486	Wheel Shaft <b>(B) (C)</b>
6	GW-9305	Key, Hi-Pro, 1/4 x 1
7	GW-1132-2	Spacer
8	1904278	Worm Gear, Wheel Shaft
9	711-04078	Tiller Shaft
10	GW-1104	Woodruff Key
11	1916542	Worm Gear, Tiller Shaft

**(A)** For Model 643C  
**(B)** For Model 643B  
**(C)** For Model 645A

\* Use as required to obtain between .005" and .030" allowable end-play.

# MODELS 643C, 643B & 645A



# MODELS 643C, 643B & 645A

REF NO.	PART NO.	DESCRIPTION	REF NO.	PART NO.	DESCRIPTION
1	736-0159	Flat Washer, 5/16	27	736-0119	Lock Washer, 5/16 <b>(A)</b>
2	756-04198	Pulley, Engine Drive	28	750-0535	Spacer, .380 ID x .625 OD x .21 <b>(A)</b>
3	656-04023	Transmission Pulley <b>(A)</b>		736-3050	Flat Washer .406 x .812 x .051 <b>(B) (C)</b>
	656-04005	Transmission Pulley <b>(B) (C)</b>	29	736-3090	Flat Washer
4	756-04169	Pulley, Reverse Idler <b>(B) (C)</b>	30	736-0452	Bell Washer
5	786-04095	Guard, Belts/Pulleys	31	710-0459A	Hex Hd. Screw, 3/8-24 x 1.50, GR5
6	754-04090	Forward Drive Belt	32	736-04181	Support Washer
7	754-04091	Reverse Drive Belt <b>(B) (C)</b>	33	732-04085	Forward Return Spring
8	731-05268	Belt Cover	34	786-04107	Bracket, Cable Mounting
9	732-04289	Reverse Return Spring <b>(B) (C)</b>	35	756-04170	Forward Idler Pulley
10	732-04081	Belt Guide <b>(B) (C)</b>	36	714-0105	Key, 3/16" x 1"
11	732-04079	Belt Guide	37	736-3078	Flat Washer
12	786-04068	Engine Bracket, Left	38	736-04193	Belleville Washer
13	786-04069	Engine Bracket, Right	39	710-0805	Hex Screw, 5/16-18 x 1.50 Gr5 <b>(A) (B)</b>
14	786-04070	Bracket, Belt Cover		710-0395	Hex Screw, 5/16-18 x 2-1/4, Gr5 <b>(C)</b>
15	748-04087	Shoulder Washer	40	712-04063	Nut, Hex Lock, 5/16-18
16	786-04276	Reverse Idler Arm <b>(B) (C)</b>	41	750-0258	Spacer, Shoulder <b>(A)</b>
17	786-04275	Forward Idler Lever	42	736-0315	Washer, Flat, .75 x 1.5 x .125 <b>(A)</b>
18	710-0672	Hex Hd. Screw, 5/16-24 x 1.25 <b>(A)</b>		736-04192	Flat Washer .786 x 1.000 x .031 <b>(B) (C)</b>
	710-0117	Hex Hd. Screw, 5/16-24 x 1 <b>(B) (C)</b>	43	736-0242	Bell Washer
19	710-0237	Hex Hd. Screw, 5/16-24 x 5/8	44	749-04193	Bumper <b>(C)</b>
20	710-0376	Hex Hd. Screw, 5/16-18 x 1	45	726-0201	Nut, Speed, 5/16-18 <b>(C)</b>
21	710-04049	Hex Hd. Screw, 5/16-18 x 5/8	46	714-0143	Klik Pin
22	710-0347	Hex Hd. Screw, 3/8-16 x 1-3/4 <b>(A)</b>	47	734-04188	Complete Wheel Assembly 10 x 2.75 <b>(A)</b>
	710-0520	Hex Hd. Screw, 3/8-16 x 1.50 <b>(B) (C)</b>	48	634-04232	Complete Wheel Assembly 13 x 5 x 6 <b>(B) (C)</b>
23	710-0599	Screw, Self-Tapping, 1/4-20 x 1/2		634-04218	Rim Assembly <b>(B) (C)</b>
24	710-3103	Hex Hd. Screw, 5/16-18 x 2 <b>(B) (C)</b>		734-0255	Air Valve <b>(B) (C)</b>
25	712-3000	Lock Nut, 3/8-16		734-04163	Tire <b>(B) (C)</b>
26	712-3009	Lock Nut, 5/16-18 <b>(B) (C)</b>			

**(A)** For Model 643C

**(B)** For Model 643B

**(C)** For Model 645A