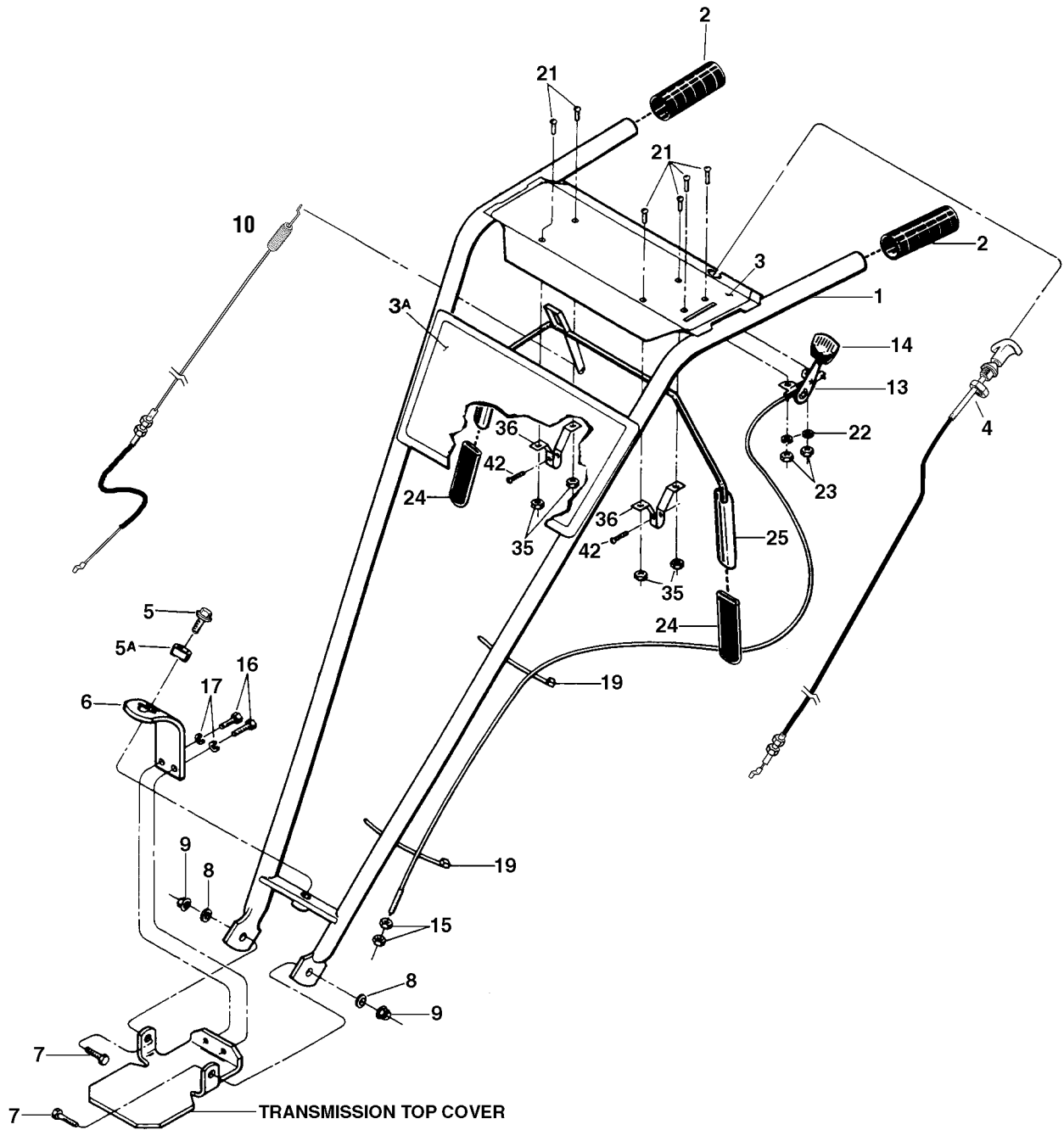


SECTION 6: PARTS LIST

HANDLEBAR ASSEMBLY and CONTROL LEVERS

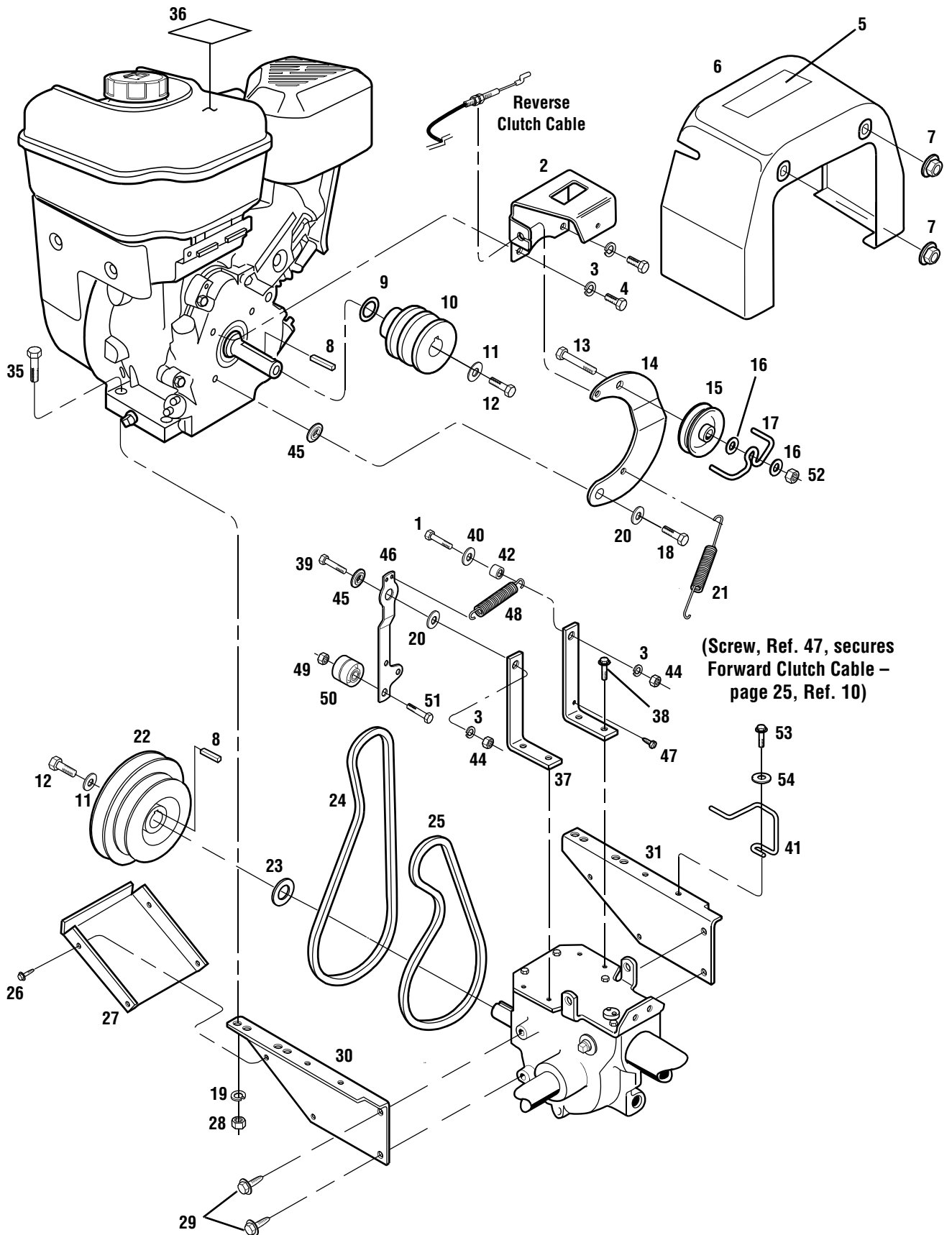


MODEL 675B

REF NO.	PART NO.	DESCRIPTION
1	1918801	Handlebars
2	GW-9126	Grip
3	777122217	Decal, Control Panel
3A	777D07888	Decal, Model Name/Logo
4	1916784	Reverse Clutch Control Cable
5	710-04042	Hex Flange Screw, 3/8-16
5A	GW-9955	Washer, Keyed
6	1900475	Bracket, Handlebar Height Adjustment
7	710-0514	Hex Hd. Screw, 3/8-16 x 1*
8	736-3050	Washer, Plain (flat) 3/8, S.A.E.
9	712-3000	Hex Locknut, 3/8-16
10	746-04027	Forward Clutch Control Cable
13	1916639	Wheel Clutch Control
14	GW-9057	Knob, Wheel Gear Control Lever
15	1186211	Hex Nut, 5/16-24
16	GW-90064	Hex Hd. Screw, 3/8-16 x 3/4*
17	736-0169	Lock washer, 3/8
19	725-0157	Cable Ties, Plastic
21	1114748	Round Hd. Screw, #10-32 x 1/2
22	1100240	Lock washer, #10
23	1186208	Hex Nut, #10-32
24	GW-9390	Grip
25	1918802	Bail, Forward Clutch Control
35	GW-9853	Sems Nut
36	GW-20806	Bracket, Bail Support
42	710-0599	Flange Screw, Self-tapping, 1/4-20 x 1/2*

* Specify GRADE 5 if ordering part locally.

MODEL 675B



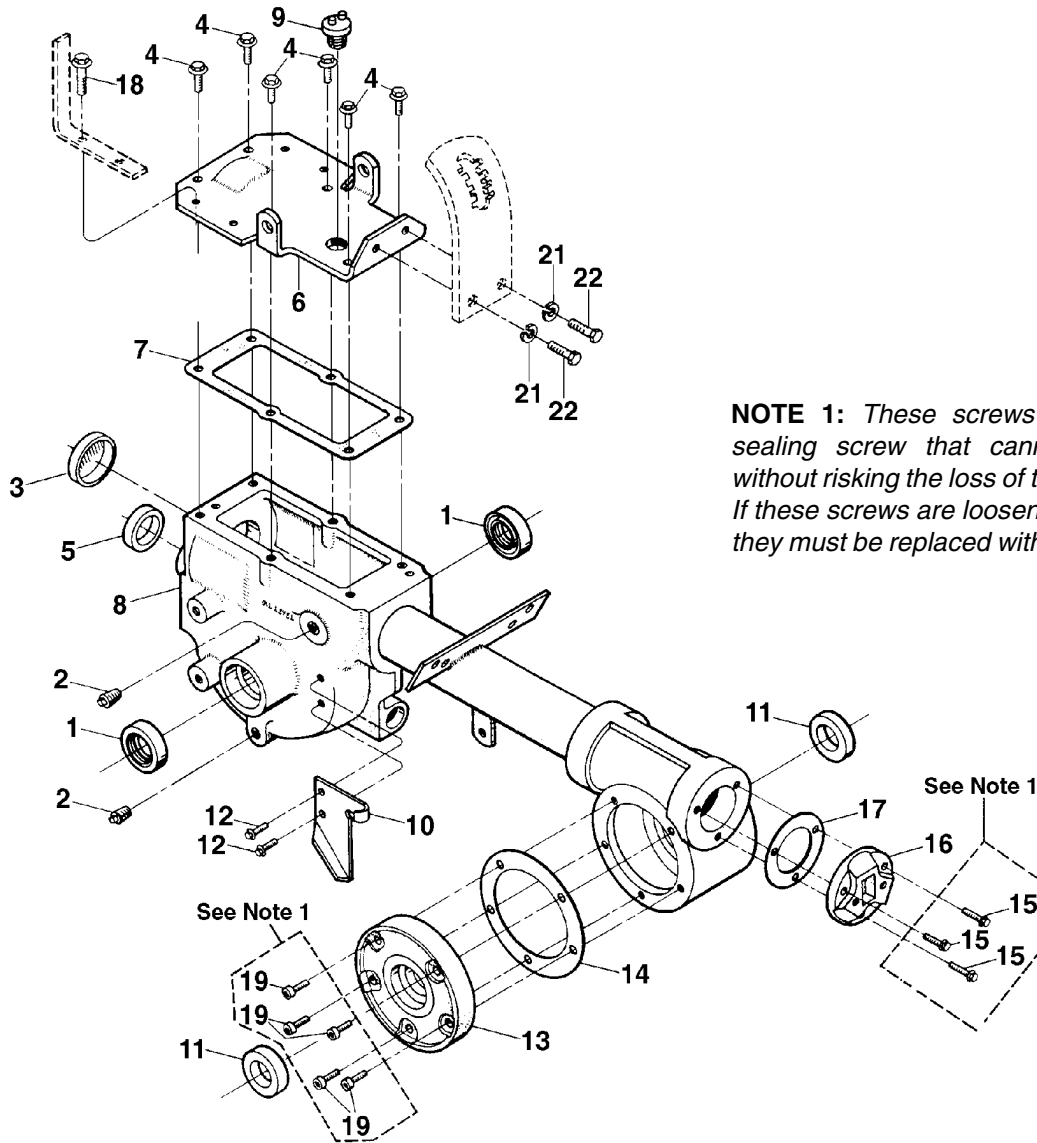
MODEL 675B

REF NO.	PART NO.	DESCRIPTION	REF NO.	PART NO.	DESCRIPTION
1	710-0395	Hex Hd. Screw, 5/16-18 x 2-1/4	26	1900396	Self-tapping Screw, #10-32 x 1/2
2	1917326	Bracket, Clutch Cable	27	GW-20339	Guard, Belts/Pulleys
3	736-0119	Lock washer-5/16	28	712-04063	Flange Lock Nut, 5/16-18
4	710-0107	Hex Hd. Screw, 5/16-24 x 1/2	29	1186329	Hex Flange Screw, 5/16-18 x 3/4*
5	777S30651	Decal, Hot Surfaces / Belt Warning	30	1916797	Engine Support Bracket, left side
6	1916659	Cover	31	1916796	Engine Support Bracket, right side
7	712-3004A	Flange Lock Nut, 5/16-18	35	710-0395	Hex Hd. Screw, 5/16-18 x 2-1/4
8	1108841	Key, 3/16 x 1-1/2	36	777I20942	Decal, Stabilization
9	GW-1138-1	Shim, 1.0 x.7656 x.062	37	1918774	Mounting Bar
10	1916520	Pulley, Engine Drive	38	710-1260A	Hex Flange Screw, 5/16-18 x.75
11	GW-9944	Washer, .827 x.331 x.098	39	710-0805	Hex Hd. Screw, 5/16-18 x 1-1/2*
12	GW-9572	Hex Hd. Screw, 5/16-24 x 1-1/8	40	736-0275	Flat Washer, 5/16'
13	710-3103	Hex Hd. Screw, 5/16-18 x 2	41	1918846	Belt Guide, Pony
14	1918731	Reverse Idler Arm	42	GW-55088	Pivot Bushing
15	1916535	Pulley, Reverse Idler	44	712-3010	Hex Nut, 5/16-18
16	736-0159	Flat Washer, 5/16	45	1917746	Washer, Shoulder
17	1916725	Belt Guide, Wire Formed	46	1918744	Idler Arm, Forward Tiller Direction
18	710-0117	Hex Head Screw, 5/16-24 x 1	47	1767754	Screw, self tapping, #10-24
19	726-0201	Speed Nut	48	1916727	Spring
20	736-3078	Washer, Flat, 1-1/8	49	712-3000	Hex Locknut, 5/16-18
21	1916728	Spring, Reverse Return	50	GW-9090	Idler Pulley, Forward
22	1916522	Transmission Pulley	51	710-0347	Screw, 3/8-16 x 1-3/4
23	GW-1440	Support Washer	52	712-0158	Hex Lock Nut, 5/16-18
24	1918812	Reverse Clutch Belt	53	1754128	Screw, 1/4-20 x 3/4
25	1909404	Forward Clutch Belt	54	736-0463	Flat Washer, 1/4

* Specify GRADE 5 if ordering part locally.

** See your local authorized engine service dealer for engine parts or service. Refer to engine nameplate for engine type and code

MODEL 675B



NOTE 1: These screws are a special sealing screw that cannot be reused without risking the loss of transmission oil. If these screws are loosened or removed, they must be replaced with new screws.

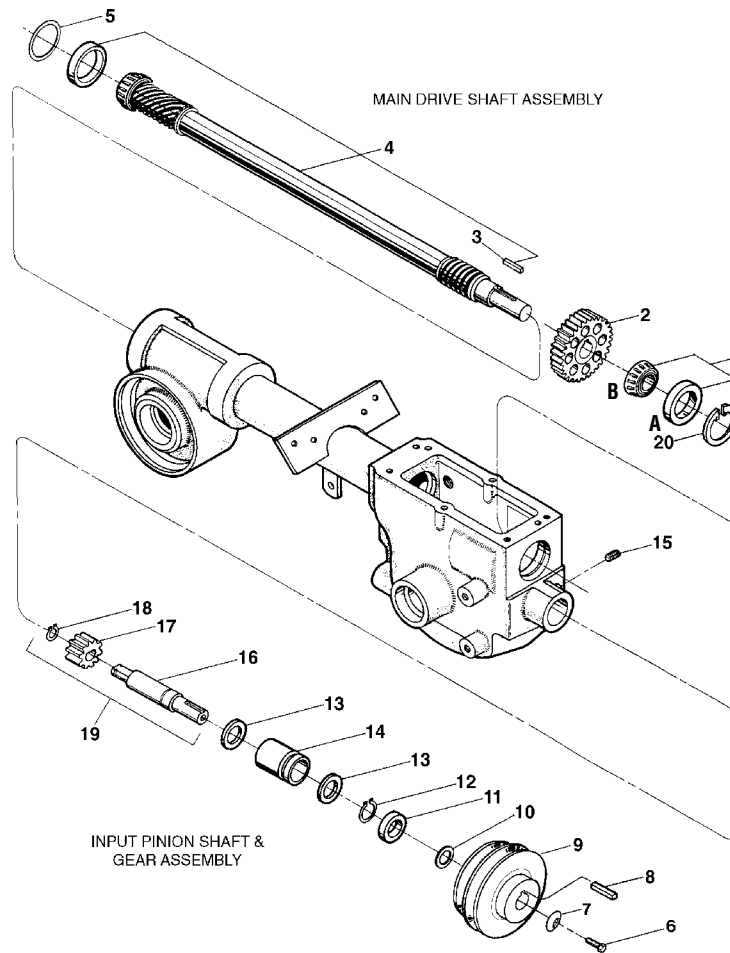
REF NO.	PART NO.	DESCRIPTION	REF NO.	PART NO.	DESCRIPTION
1	721-04031	Oil Seal	12	710-04049	Hex Flange Screw, 5/16-18 x 5/8*
2	1105620	Pipe Plug, 1/4	13	GW-20873	Tiller Housing Cover, left side
3	721-04001	Seal, Transmission Bore	14	GW-1129-1	Gasket, Tiller Housing Cover,.010" (A/R)
4	710-04043	Hex Flange Screw, 5/16-18 x 3/4*	15	1915069	Self-Sealing Screws, 1/4-20 x 7/8
5	1983632	Oil Seal, Input Pinion Shaft1	16	GW-1115	Rear Bearing Cap
6	GW-20910	Transmission Cover (Incl. four Ref. 18)	17	GW-1124-2	Gasket, Rear Bearing Cap,.010" Thick (A/R)
7	GW-20694	Gasket, Transmission Top Cover	18	GW-90063	Hex Flange Screw, 5/16-18 x 1*
8	619-04010	Transmission Case Assy.	19	1915068	Self-Sealing Screws, 1/4-20 x 5/8
9	GW-9467	Plug	21	736-0169	Lock washer, 3/8
10	1917101	Mounting Plate, Wheel Clutch Cable	22	710-0216	Hex Hd. Screw, 3/8-16 x 3/4*
11	721-04035	Oil Seal, Tiller Shaft	—	737-0353†	Oil, 85W-140

* Specify GRADE 5 if ordering part locally.

AR – As Required

* Capacity of transmission is 53 oz.

MODEL 675B



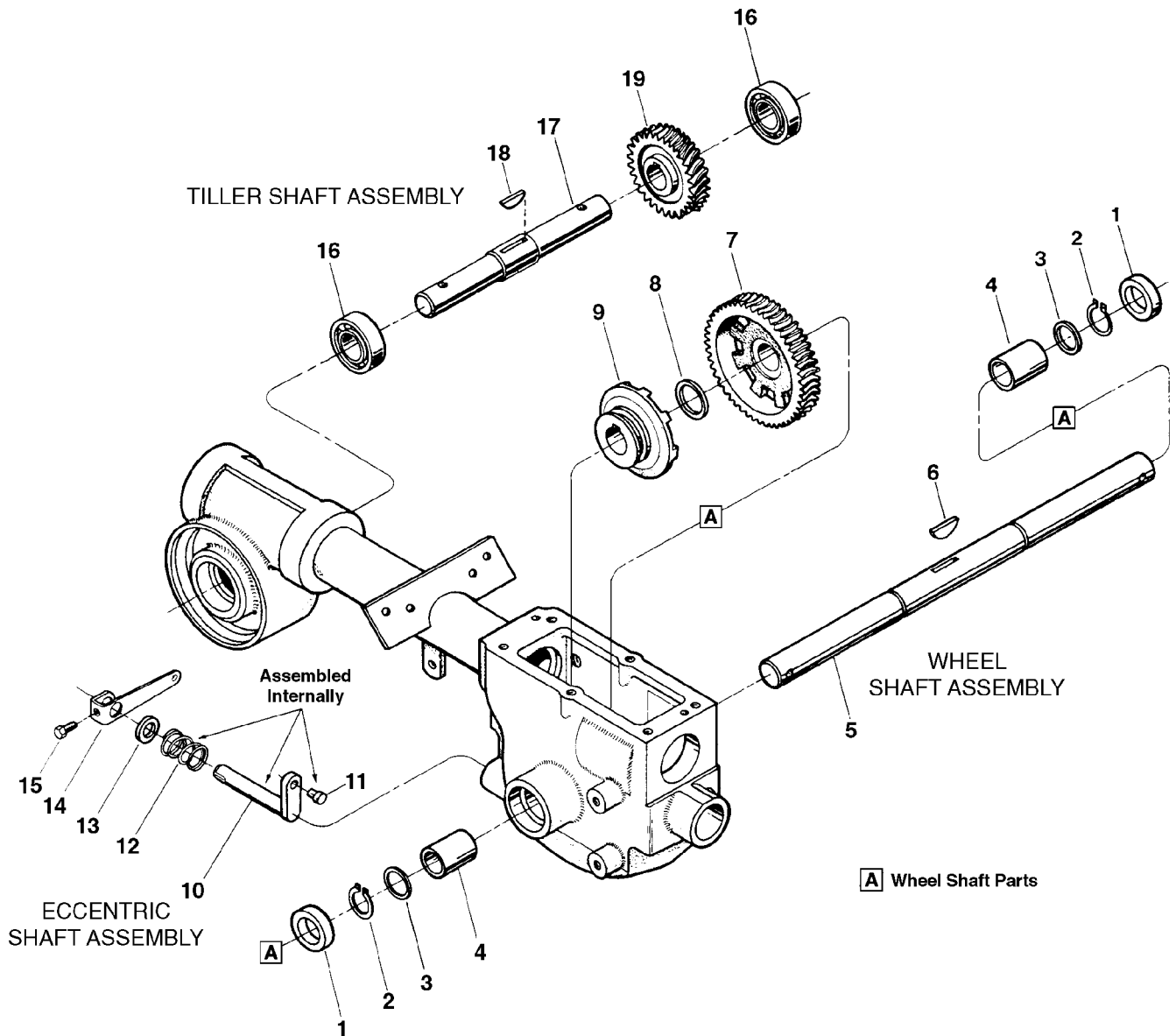
REF NO.	PART NO.	DESCRIPTION	REF NO.	PART NO.	DESCRIPTION
1	GW-1714	Bearing, Tapered Roller with Race	...	GW-1325C	Shim Set (Incl. two GW-1224-1; two 1224-2 and one GW-1224-3 (A/R))
1a	GW-9400	Drive Shaft Bearing Cup	6	GW-9572	Hex Hd. Screw, 5/16-24 x 1-1/8*1
1b	GW-9401	Drive Shaft Bearing Cone	7	GW-9944	Washer, Disc Spring (concave surface faces pulley)
2	GW-20718	Spur Gear	8	1108841	Key, 3/16 sq. x 1-1/2
3	GW-9301	Key, 3/16 sq. x 1	9	1916522	Transmission Drive Pulley
4	1916597	Rolled Drive Shaft (Drive shaft is one-piece with integral, single-lead, work-hardened front worm, and integral, six-lead work-hardened rear worm. Also includes pressed-on GW-1714 and GW-9301)	10	GW-1440	Support Washer
5	GW-1224-1	Shim, Rear Bearing Cap,.010" thick, see Note below (A/R)	11	721-04044	Oil Seal, Input Pinion Shaft
5	GW-1224-2	Shim, same as above, but .030" thick, see Note (A/R)	12	1113527	Retaining Ring (external)
5	GW-1224-3	Shim, same as above, but .005" thick, see Note (A/R)	13	GW-9953	Thrust Washer
5	GW-1224-4	Shim, same as above, but .062" thick, see Note (A/R)	14	GW-9428	Bushing
			15	GW-9677	Set Screw, 5/16-18 x 3/8*
			16	GW-20791	Input Pinion (steel shaft)
			17	GW-20792	Input Pinion Gear
			18	GW-9093	Retaining Ring (external)
			19	GW-20799	Pinion Assy. (Incl. Refs. 16, 17 & 18)
			20	GW-9517	Retaining Ring

NOTE: Shim between drive shaft rear bearing and rear bearing cap to achieve 5-to-15 thousandths of an inch (.005-.015) end play on drive shaft.

A/R – As Required

* Specify GRADE 5 if ordering part locally.

MODEL 675B



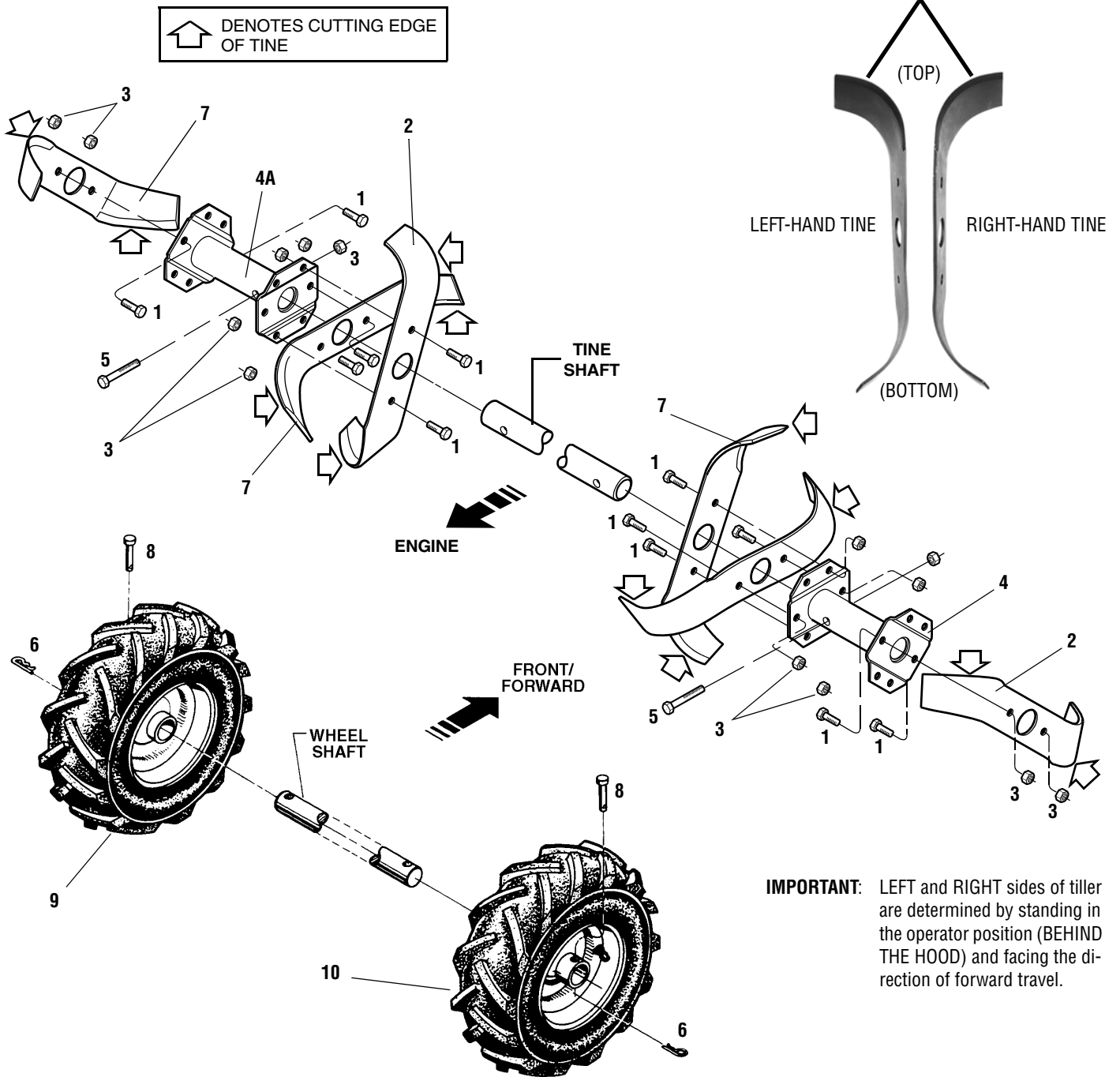
REF NO.	PART NO.	DESCRIPTION	REF NO.	PART NO.	DESCRIPTION
1	721-04031	Oil Seal	9	GW-20712	Wheel Drive Clutch (cast-iron)
2	1909950	Retaining Ring (heavy-duty, external)	10	611-04002	Eccentric Shaft
3	GW-1166-1	Shim, 1-1.64 I.D.,.062" thick (A/R)	11	GW-1442	Pin, Eccentric Shaft
---	GW-1166-2	Shim, as above, but.030" thick (A/R)	12	GW-9055	Spring
---	GW-1166-3	Shim, as above, but.015" thick (A/R)	13	721-04034	Oil Seal
---	GW-1166-4	Shim, as above, but.010" thick (A/R)	14	786-04001	Eccentric Shaft Lever
4	GW-1086	Bushing	15	710-3013	Hex Hd. Screw, 1/4-20 x 1/2*
5	711-04091	Wheel Shaft (Incl. Ref. 6)	16	741-3037	Ball Bearing
6	GW-9373	Hi-Pro Key, 1/4 x 1-5/16	17	711-04130	Tiller Shaft (Incl. Ref. 18)
7	GW-20914	Wheel Drive Worm Gear (cast-iron)	18	GW-1104	Woodruff Key, 1/4 x 1-1/4
8	GW-9935	Shim, 6 I.D. x 1.468 O.D. x.062	19	1904279	Tiller Drive Worm Gear (bronze)

* Specify GRADE 5 if ordering part locally.

A/R - As Required

MODEL 675B

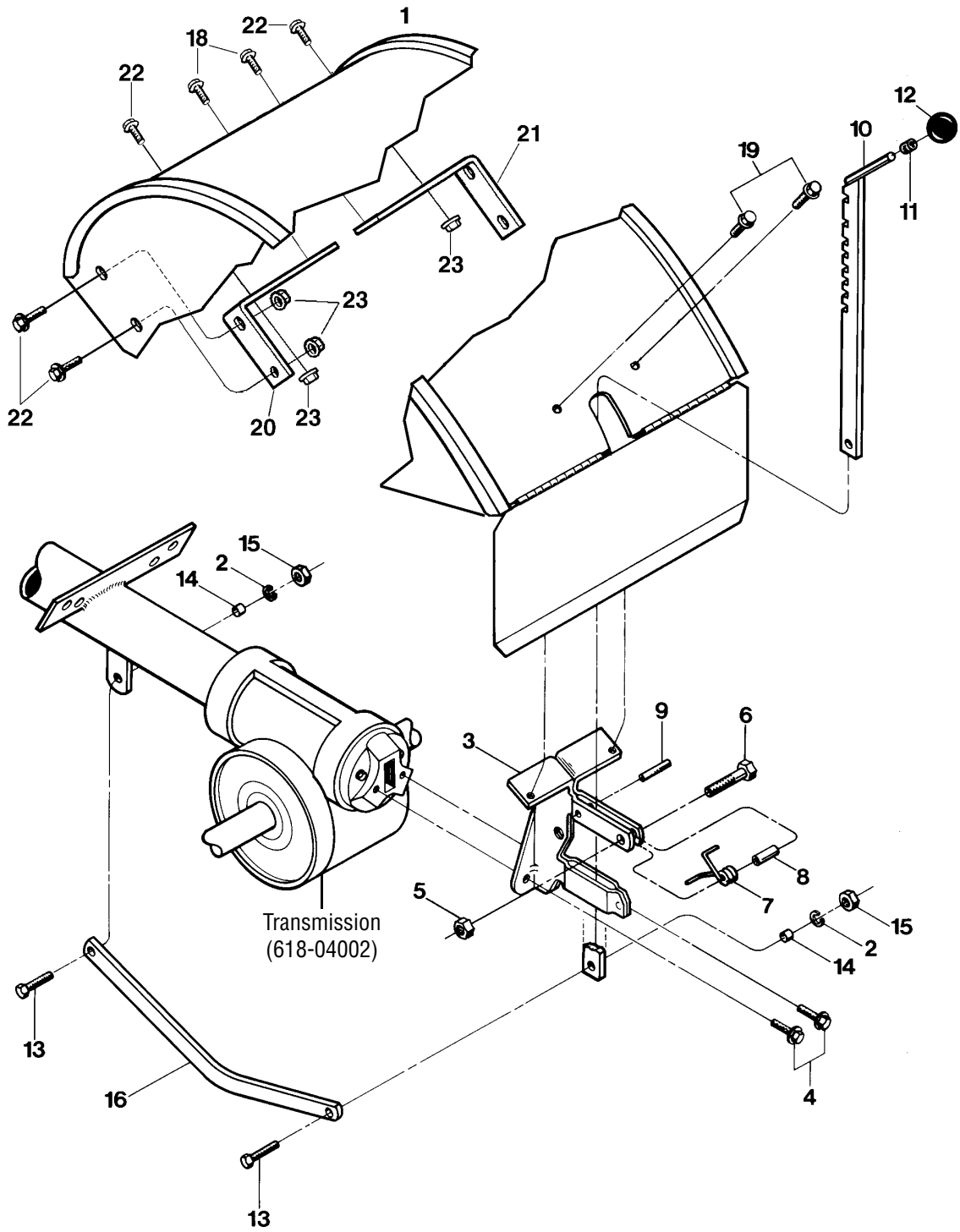
Mount Tines So The Cutting Edge At The Top Of Each Tine Faces The Operator



IMPORTANT: LEFT and RIGHT sides of tiller are determined by standing in the operator position (BEHIND THE HOOD) and facing the direction of forward travel.

REF NO.	PART NO.	DESCRIPTION	REF NO.	PART NO.	DESCRIPTION
1	1100068	Hex Hd. Screw, 3/8-16 x 3/4*	6	GW-9338	Hitch Pin
2	1985101	Tine – right-hand	7	1985100	Tine – left-hand
3	1110108	Hex Lock Nut, 3/8-161	8	GW-9380	Clevis Pin, .312 x 1-3/4 long
4	1916693	Tine Holder, left-side	9	634-04033	Wheel & Tire Assy., left-side
4A	1916694	Tine Holder, right-side	10	634-04032	Wheel & Tire Assy., right-side
5	710-3096	Hex Hd. Screw, 3/8-16 x 2, Grade 8			

MODEL 675B



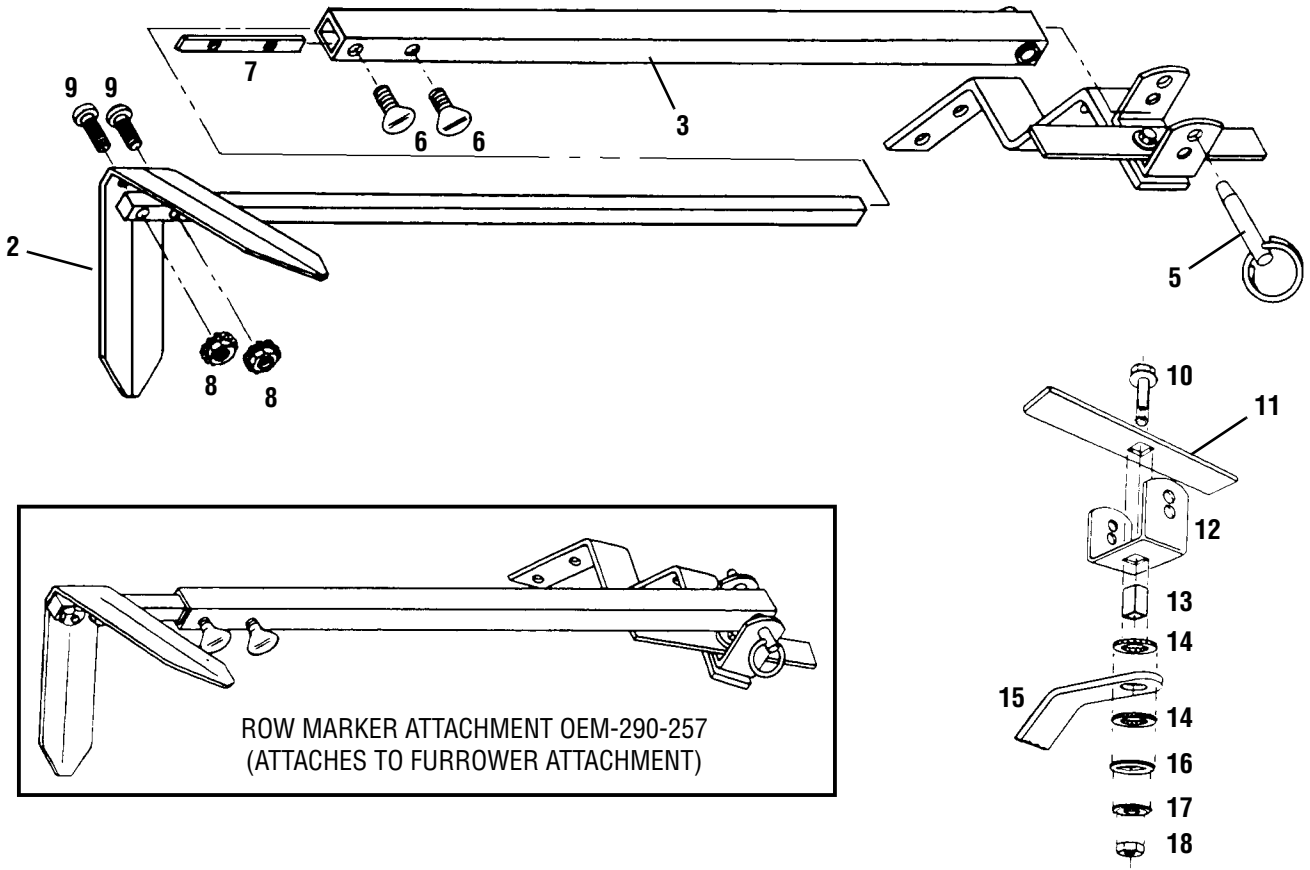
MODEL 675B

REF NO.	PART NO.	DESCRIPTION
1	686-04021	Hood, Tine
2	736-0169	Lock washer, 3/8
3	GW-2525	Bracket, Hood & Depth Regulator
4	710-04049	Hex Hd. Flg. Screw, 5/16-18 x 5/8*
5	712-0291	Hex Lock Nut, 1/4-20
6	710-0597	Hex Hd. Screw, 1/4-20 x 1*
7	GW-9384	Spring, Depth Regulator Plunger
8	GW-9534	Spacer
9	1185469	Roll Pin (spiral), 1/4 x 1
10	1916186	Bar Assembly, Depth Adjustment
11	GW-9120	Retaining Ring (Tolerance Ring)
12	GW-9119	Knob, Depth Regulator (Incl. Ref. 11)
13	710-3005	Hex Hd. Screw, 3/8-16 x 1-1/4*
14	GW-1113-1	Bushing (spacer)
15	712-3017	Hex Nut, 3/8-16
16	GW-20775	Drag Bar, Depth Regulator
18	710-0759	Hex Hd. Screw, self-tapping, 16-18 x 1/2*
19	710-0599	Flange Screw, self-tapping, 1/4-20 x 1/2*
20	1916700	Support Bracket, Left-Side
21	1916701	Support Bracket, Right-Side
22	1186328	Hex Hd. Screw, 5/16-18 x 5/8
23	1186391	Hex Nut, 5/16-18

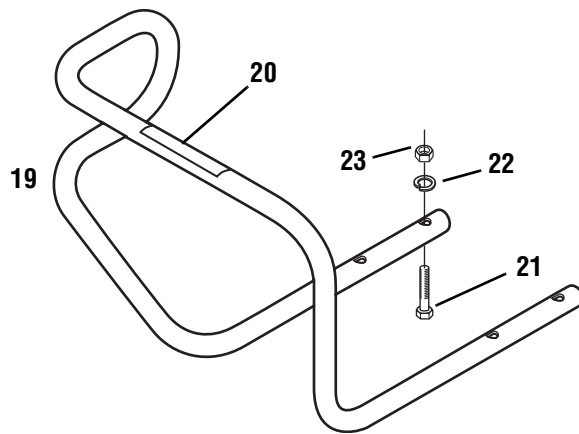
* Specify GRADE 5 if ordering part locally.

MODEL 675B

ROW MARKER ATTACHMENT (OPTIONAL)



BUMPER ATTACHMENT



**BUMPER
OEM-290-254**

MODEL 675B

REF NO.	PART NO.	DESCRIPTION
2	GW-1594	Marker Blade—blade only
3	GW-1600	Marker Arm—main arm
4	GW-1595	Marker Arm—extension arm with pin
5	GW-9347	Hitch Pin
6	GW-9786	Thumbscrew—1/4-20 x 1/2
7	GW-1596	Nut Bar
8	GW-9828	Nut—hex, 10-24 w/ attached star washers
9	1100135	Screw—round hd., 10-24 x
---	GW-1837	Hardware Package—includes: one GW-9347 hitch pin, two GW-9786 thumbscrews, two GW-9828 hex nuts and two 1100135 screws
10	1186349	Screw—hex flanged locking, 3/8-16 x 1-1/2*
11	GW-1593	Stop Bar
12	GW-1592	Yoke
13	GW-1591	Tube Key—square
14	GW-1590	Washer—friction
15	GW-1588	Main Support
16	GW-1589	Washer—square hole
17	GW-9925	Washer—disc spring
18	712-0798	Nut—hex 3/8-16
19	749-04193	Bumper
20	777S30653	Decal - Caution
21	710-3073	Screw—hex hd., 5/16-18 x 2-1/4*
22	726-0201	Speed Nut
23	712-04063	Nut—Flange Lock, 5/16-18*
---	1918781	Hardware Kit: Incl. four each of Refs. 21, 22 and 23

Note: Most common hardware listed above as can be found at most hardware stores.

* Specify GRADE 5 if ordering part locally.