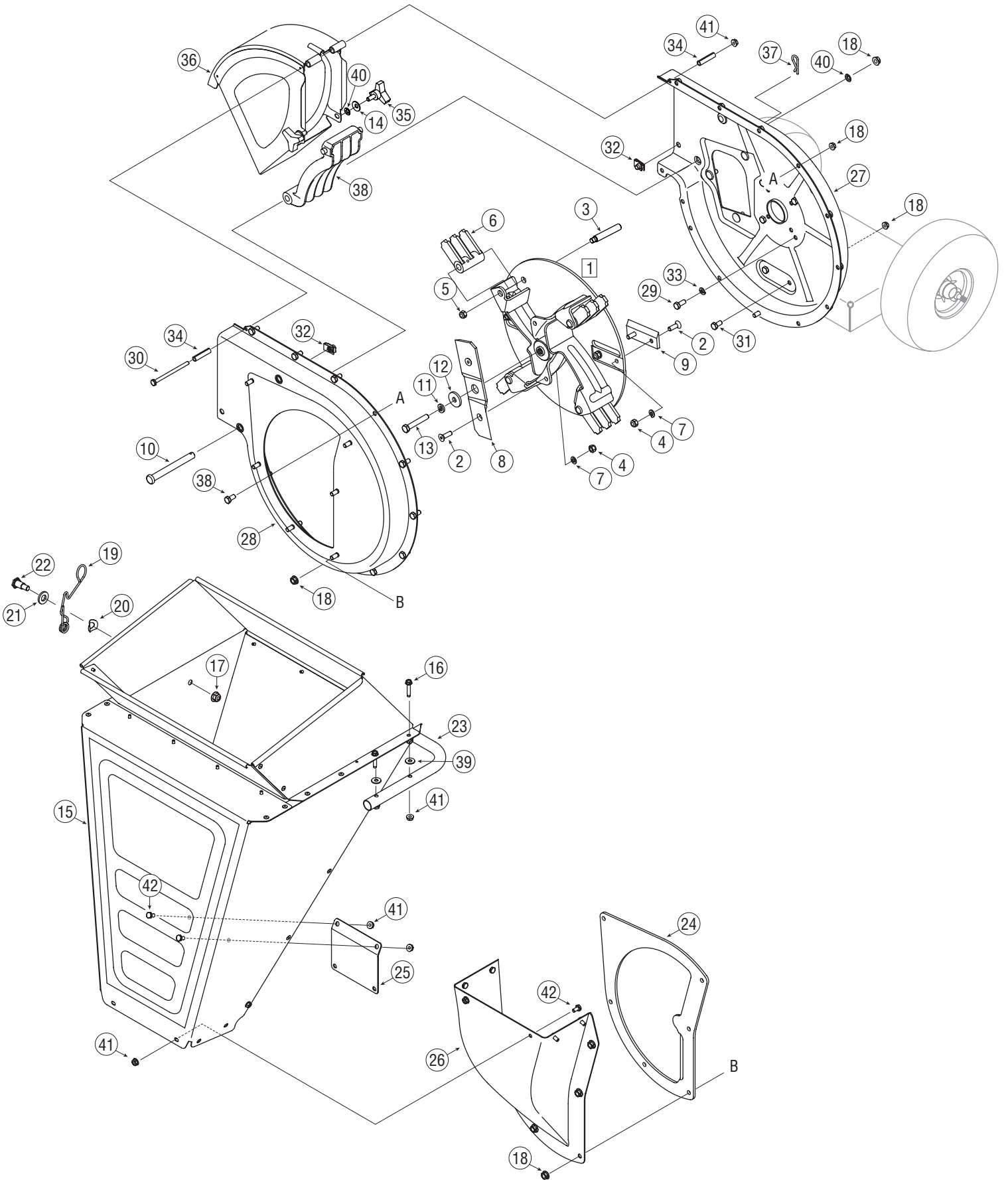


Model Series 410 & 420



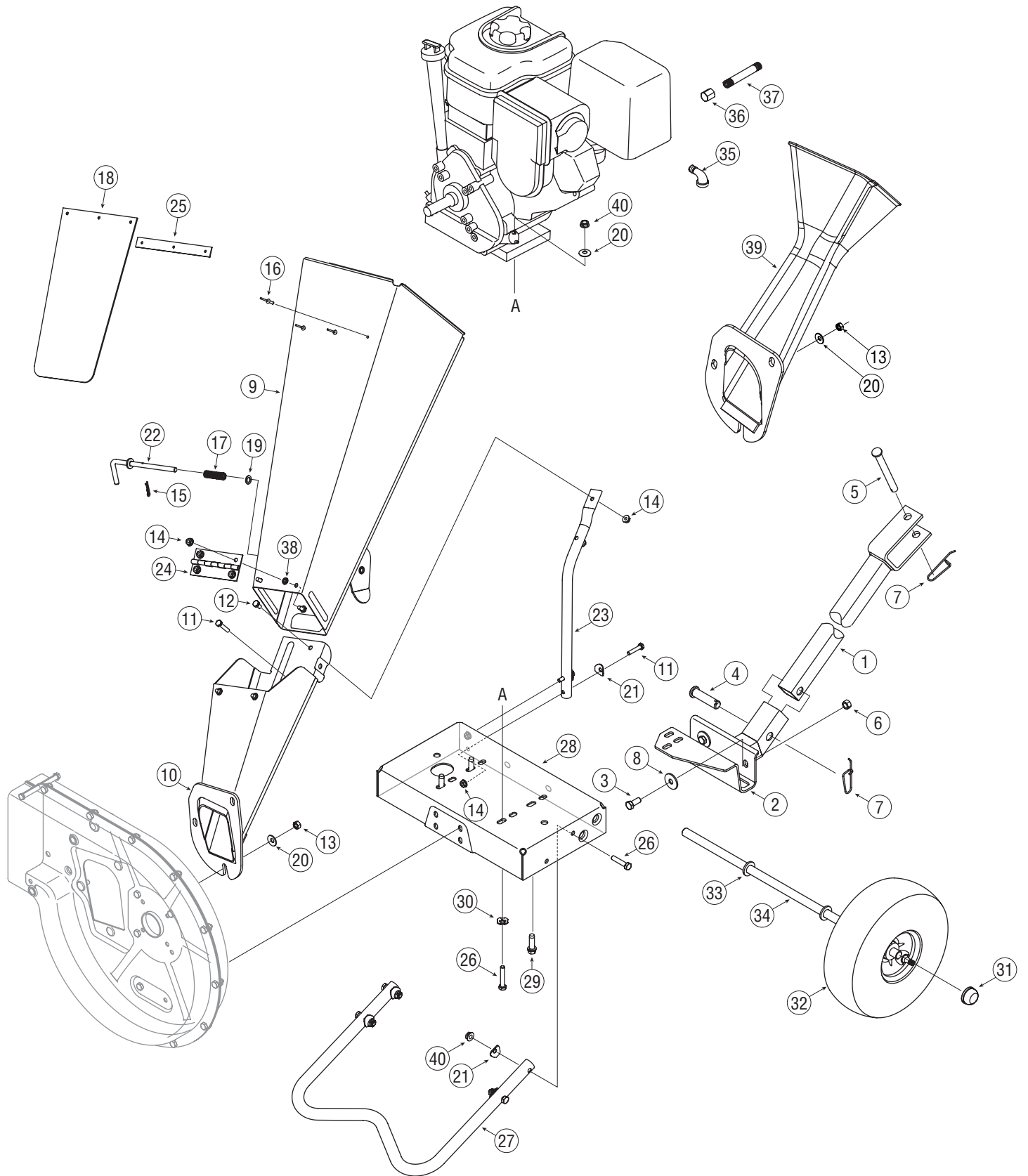
Ref. No.	Part No.	Description
1	681-04094	Impeller Assembly Complete
2	710-1054	Machine Screw, 5/16-24 x 1.0
3	738-04286	Shoulder Pin, .5 x 2.625
4	712-0411	Hex Lock Nut, 5/16-24
5	712-0266A	Nut, Jam Lock, 3/8-16
6	719-04308	Flail Blade
7	736-0119	Lock Washer, 5/16
8	742-04050	Shredder Blade
9	742-0544	Chipper Blade
10	711-0835	Clevis Pin,.50 x 4.62
11	736-0217	Lock Washer, 3/8
12	736-0247	Flat Washer,.406 x 1.25
13	710-1254	Hex Cap Screw, 3/8-24 x 2.2
14	736-0242	Bell Washer.340 ID x.872 OD
15	681-04011	Shredder Hopper Assembly
16	710-0809	Hex Cap Screw, 1/4-20 x 1.250
17	712-04065†	Flange Lock Nut, 3/8-16
18	712-04063	Flange Lock Nut, 5/16-18
19	732-04167†	Torsion Spring
20	736-0182†	Spring Washer,.50 x 1.0 x.022
21	736-0326†	Flat Washer,.50 x 1.0 x.0125
22	738-0430†	Shoulder Screw, 3/8-16,.50 x.685

Ref. No.	Part No.	Description
23	749-04103	Hopper Handle
24	781-04007	Shredder Plate
25	781-04027	Hopper Support Bracket
26	781-04033	Inlet Guide
27	681-0117	Inner Flail Housing Assembly
28	681-04002	Outer Flail Housing Assembly
29	710-0157	Hex Cap Screw, 5/16-24 x.75
30	710-0825	Hex Cap Screw, 1/4-20 x 3.75
31	710-3025	Hex Cap Screw, 5/16-18 x.625
32	726-0211	U-Nut, 5/16-18
33	736-0119	Lock Washer, 5/16
34	750-0793	Hinge Spacer,.265 x.380 x 1.66
35	681-0048	Knob Ass'y. (Incl. ref.# 12 & 61)
	720-0170	Knob Only, 5/16-18
36	681-0094	Chute Deflector Assembly
37	714-0149B	Internal Cotter Pin
38	719-04070	Shredder Screen
39	736-0173	Flat Washer,.28 x.74 x.063
40	726-0201	Speed Nut,.3125ID
41	712-04064	Nut, Flange, Lock, 5/16-18
42	710-0599	TT Screw, 1/4-20 x.5

† Model Series 420

†† Model Series 410

Model Series 410 & 420



Ref. No.	Part No.	Description
1	681-0133	Tongue Hitch Mount
2	681-0134A	Base Hitch Mount
3	710-3001	Hex Cap Screw, 3/8-16 x.88
4	711-0299	Clevis Pin,.625 x 2.4
5	711-0835	Clevis Pin,.50 x 4.62
6	712-04065	Flange Lock Nut, 3/8-16
7	732-0194	Spring Pin
8	736-0133	Flat Washer,.411 x 1.25 x 1.0
9	681-04006†	Upper Chipper Chute Assembly
10	681-04007†	Lower Chipper Chute Assembly
11	710-0106†	Hex Cap Screw, 1/4-20 x 1.25
12	710-3013†	Screw, 1/4-20 x .50
13	712-3010	Hex Nut, 5/16-18
14	712-04064†	Flange Lock Nut 1/4-20
15	714-0104†	Cotter Pin
16	728-0175†	Pop Rivet
17	732-0306A†	Compression Spring,.531 x 1.75
18	735-0249A†	Chute Flap
19	736-0140†	Flat Washer
20	736-0242	Bell Washer.340 ID x.872 OD
21	736-0451†	Washer,.320 ID x.93 OD
22	747-04163†	Lock Rod

Ref. No.	Part No.	Description
23	749-1004†	Chipper Chute Support
24	781-04032†	Chipper Chute Hinge
25	781-0633†	Chute Flap Strip
26	710-0805	Hex Cap Screw, 5/16-18 x 1.50
27	749-04104	Tube Support
28	681-0184A††	Frame Assembly
	681-0183A†	Frame Assembly
29	710-0502A	Hex Sems Screw, 3/8-16 x 1.25
30	736-0170	Special Lock Washer, 5/16
31	726-0214	Push Cap, 5/8
32	734-1845	Wheel, 10 x 4 x 4
33	736-0366	Flat Washer,.625 x 1.0
34	738-0813	Axle, 22.47"
35	737-0195††	Elbow Fitting
36	737-0132	Oil Drain End Cap
37	737-0298	Oil Drain Pipe
38	726-0233†	Push Nut,.25ID x.50OD
39	681-0095††	Chipper Chute
40	712-04063	Flange Lock Nut, 5/16-18
—	664-04023*	Debris Collection Bag
—	723-0400*	Safety Glasses

† Model Series 420

†† Model Series 410

* Not Shown