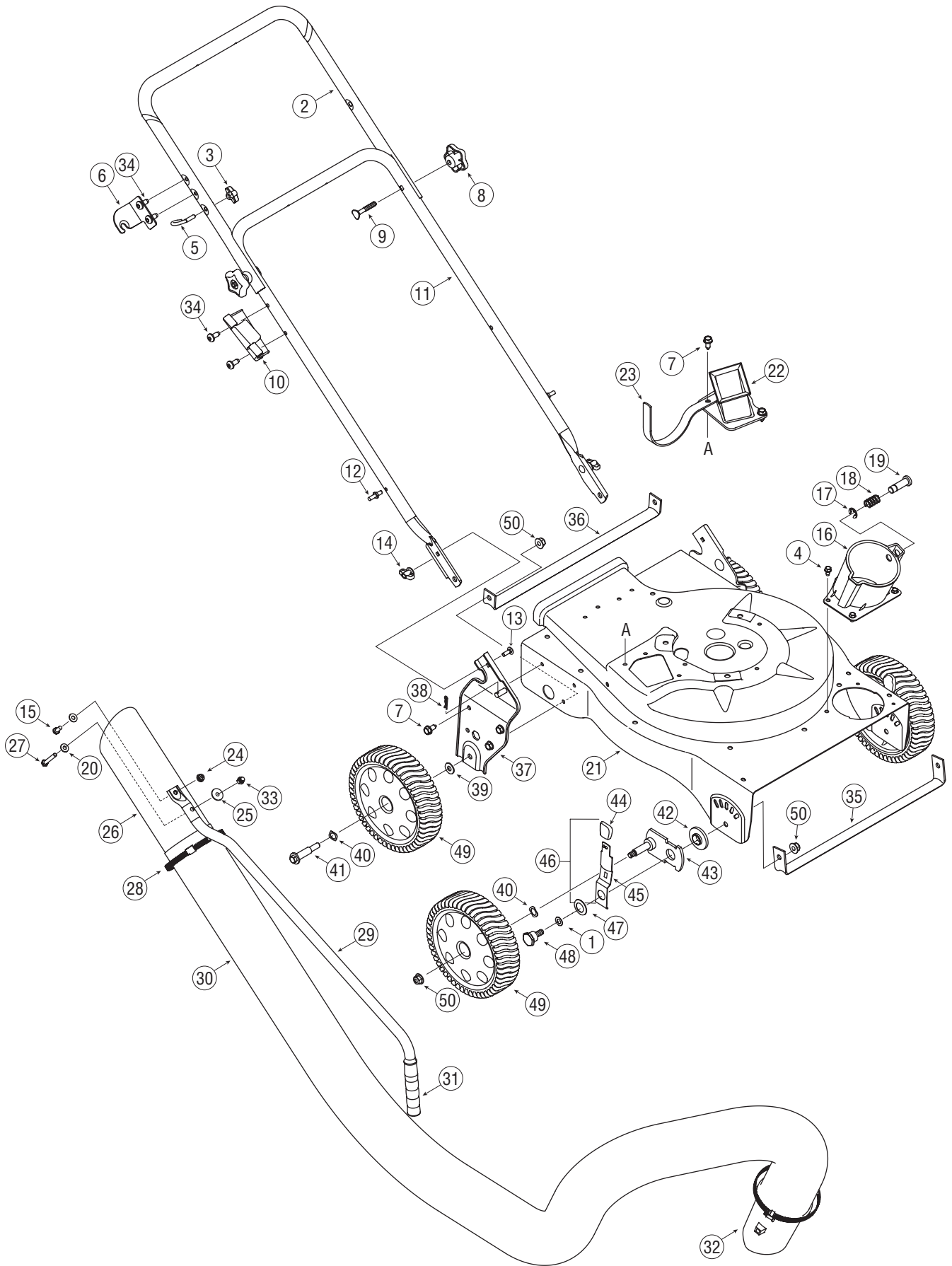


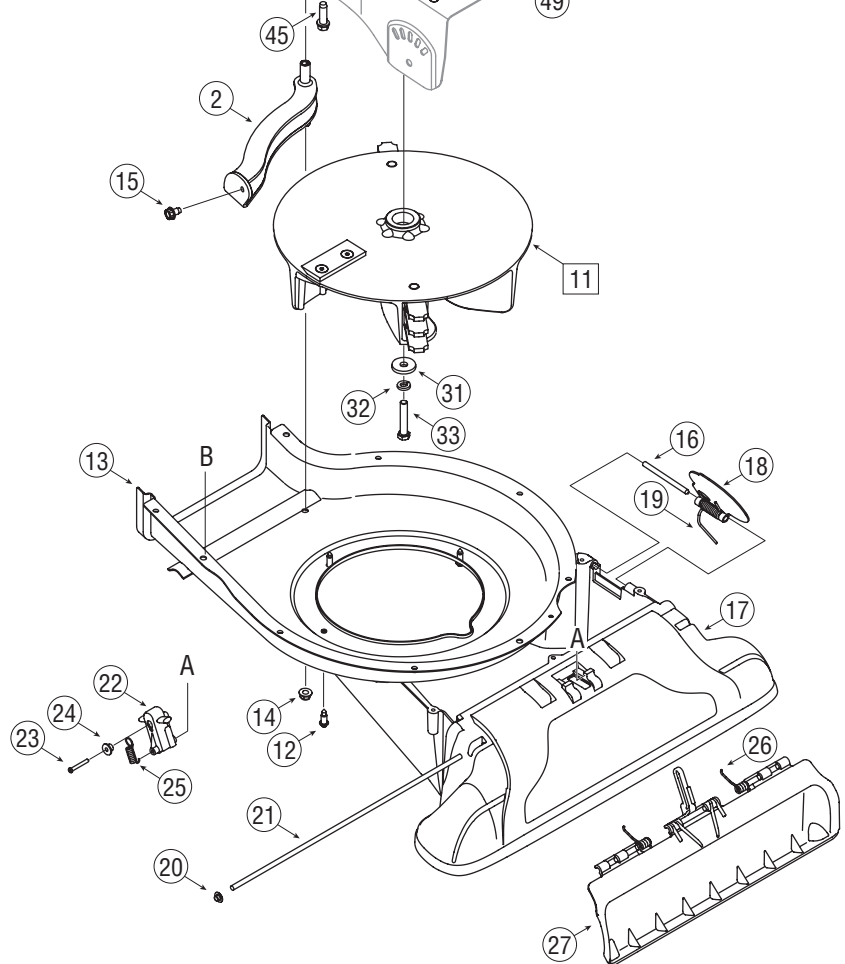
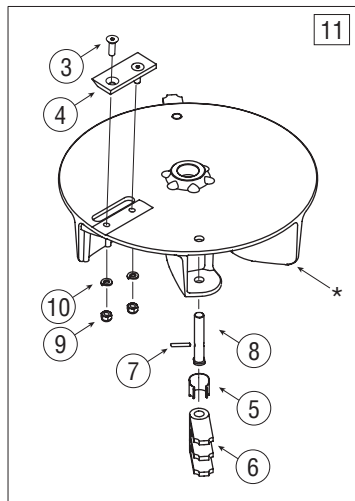
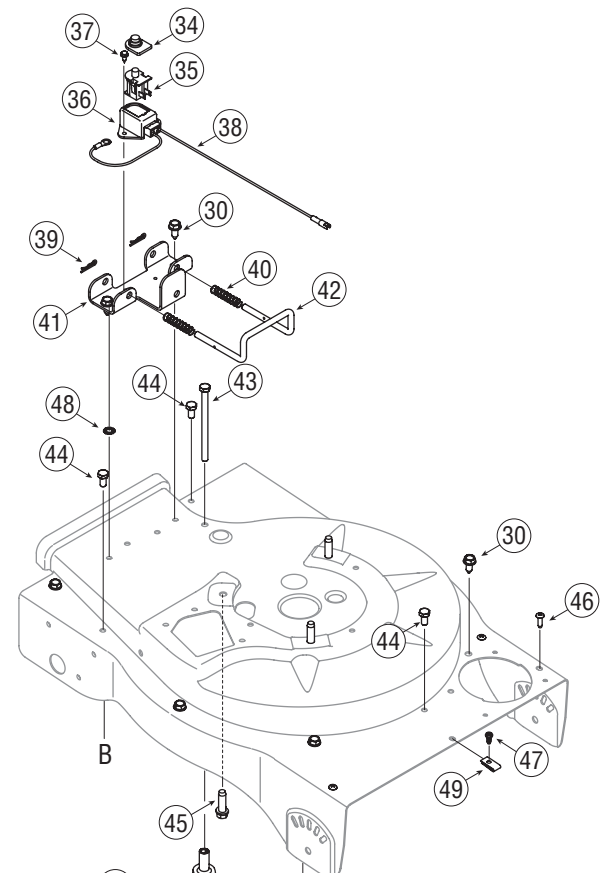
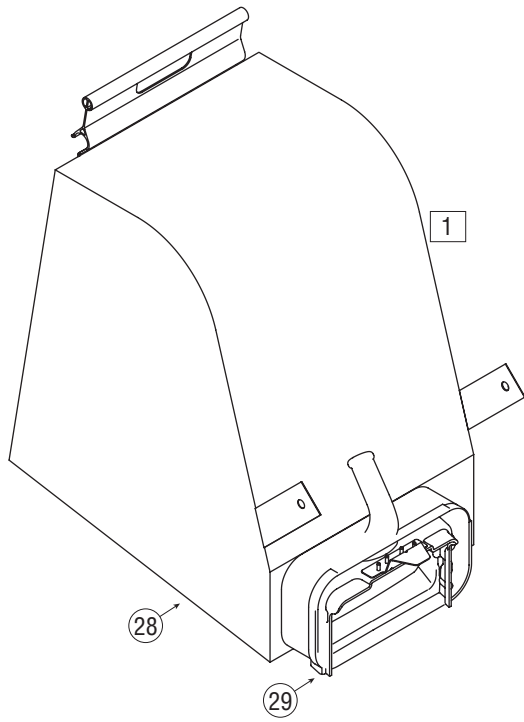
Model Series 060



Ref. No.	Part No.	Description
1.	736-0314	Thrust Washer.375 ID x.70 OD
2.	749-04172	Upper Handle
3.	720-0279	Knob
4.	710-0599	Screw, 1/4-20 x.500
5.	710-1205	Eye Bolt
6.	781-1056	Upper Handle Bracket
7.	710-0726	Hex Cap Screw 5/16-12 x.750
8.	720-04072	Star Knob
9.	710-1174	Carriage Bolt
10.	731-04911	Nozzle Handle Clip
11.	749-04165	Lower Handle
12.	711-1293	Studs
13.	710-0703	Carriage Screw 1/4-20 x.75
14.	712-0397	Wing Nut 1/4-20
15.	710-0751	Hex Cap Screw 1/4-20 x.620
16.	681-0195	Hose Base Adapter Assembly (Incl. Ref.# 17-19)
17.	716-0104	E Ring.500 Dia
18.	732-3035	Compression Spring
19.	711-1571	Clevis Pin
20.	736-3020	Flat Washer.271 ID x.630 OD
21.	781-04071	Upper Flail Housing
22.	681-0122	Chipper Chute Assembly
23.	781-1058	Hose Hanger Bracket
24.	712-04064	Flange Lock Nut, 1/4-20
25.	748-0457	Spacer
26.	731-2478	Hose Nozzle

Ref. No.	Part No.	Description
27.	710-3288	Hex Cap Screw 1/4-20 x 2.625
28.	723-0295	Adjustment Clamp
29.	749-1270	Nozzle Handle
30.	764-0648	Vacuum Hose
31.	07071	Handle Grip
32.	731-2292	Hose Adapter
33.	712-0442	Cap Lock Nut, 1/4-20
34.	710-1611B	TT Screw, 5/16-18 x .750
35.	781-04082	Front Wheel Support Brace
36.	781-04081	Rear Wheel Support Brace
37.	681-0156A	Handle Bracket Ass'y RH
	681-0155A	Handle Brkt Ass'y LH
38.	714-0104	Cotter Pin
39.	736-0105	Bell Washer.401 ID x.870 OD
40.	736-0232	Wave Washer.531 ID x.781 OD
41.	738-1015	Shoulder Screw 3/8-16
42.	741-0751	Height Adjustment Bearing
43.	687-02094	Pivot Arm Assembly
44.	720-0426	Height Adjustment Knob
45.	732-1026	Spring Lever
46.	687-02051	Height Lever Assembly (Incl. Ref.# 44-45)
47.	736-0741	Bell Washer.760 ID x.25 OD
48.	738-1172	Shoulder Screw,.750 x.500
49.	734-04033	Wheel 8 x 2
50.	712-04065	Flange Lock Nut, 3/8-16
51.		

# Model Series 060



Ref. No.	Part No.	Description
1.	664-04031	Bag Assembly
2.	681-0154	Screen Assembly
3.	710-1054	Hex Screw 5/16-24 x 1.0
4.	781-0490	Chipper Blade
5.	781-0735	Pin Clip
6.	719-0329	Flail
7.	715-0166	Spiral Pin
8.	711-1401	Clevis Pin
9.	712-0411	Lock Nut, 5/16-24
10.	736-0119	Lock Washer, 5/16
11.	681-0152	Impeller Assembly (Incl. Ref.# 3 – 10)
12.	710-1650	Shoulder Screw, #12-24 x.30 x.46
13.	781-0721B	Lower Flail Housing
14.	712-04063	Flange Lock Nut 5/16-18
15.	710-0607	Screw, 5/16-18 x.500
16.	747-04297	Hinge Pin
17.	731-2293A	Nozzle
18.	781-1064	Base Adapter Door
19.	732-1156	Torsion Spring
20.	726-0106	Cap Speed Nut 1/4
21.	711-1551	Pivot Rod
22.	731-04967	Nozzle Door Lever
23.	710-1256	Hex Screw, #8-18 x 1.25
24.	750-1294	Shoulder Spacer
25.	732-3118	Extension Spring

Ref. No.	Part No.	Description
26.	732-1151A	Nozzle Door Torsion Spring
27.	731-2294A	Nozzle Door
28.	664-04029	Bag
29.	631-0083	Chute Assembly
30.	710-0726	Hex Index Screw, 5/16-12 x.750
31.	736-0247	Flat Washer.375 ID x 1.25 OD
32.	736-0217	Lock Washer 3/8
33.	710-0818	Hex Cap Screw 3/8-24 x 2.0
34.	725-1700	Switch Cover
35.	725-3166	Safety Switch
36.	731-1613	Safety Switch Cover
37.	710-0224	Hex Washer Screw #10-16 x.50
38.	629-0920A	Wire Harness
39.	714-0104	Cotter Pin
40.	732-0962	Compression Spring
41.	781-0778A	Mounting Bracket
42.	747-1153	Lock Rod
43.	710-3195	Hex Cap Screw 5/16-18 x 4.5
44.	710-3025	Hex Cap Screw 5/16-18 x.625
45.	710-0502A	Hex Washer Screw 3/8-16 x 1.25
46.	710-1220	Screw, #12-16 x.750
47.	710-0351	Screw #10 - 16 x.500
48.	736-0607	External L-Washer 5/16
49.	726-0139	Speed Nut
—	723-0400	Safety Glasses (Not Shown)