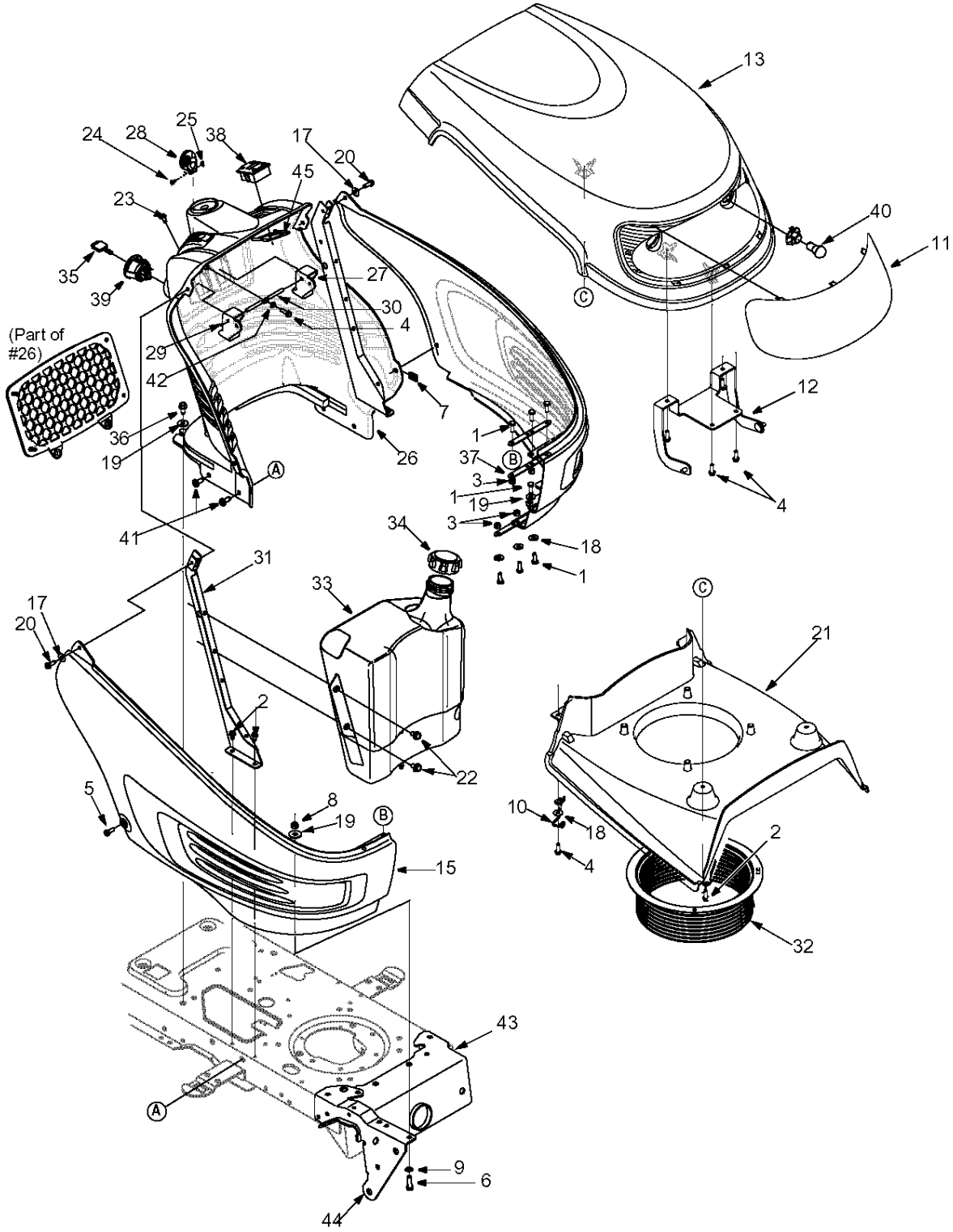
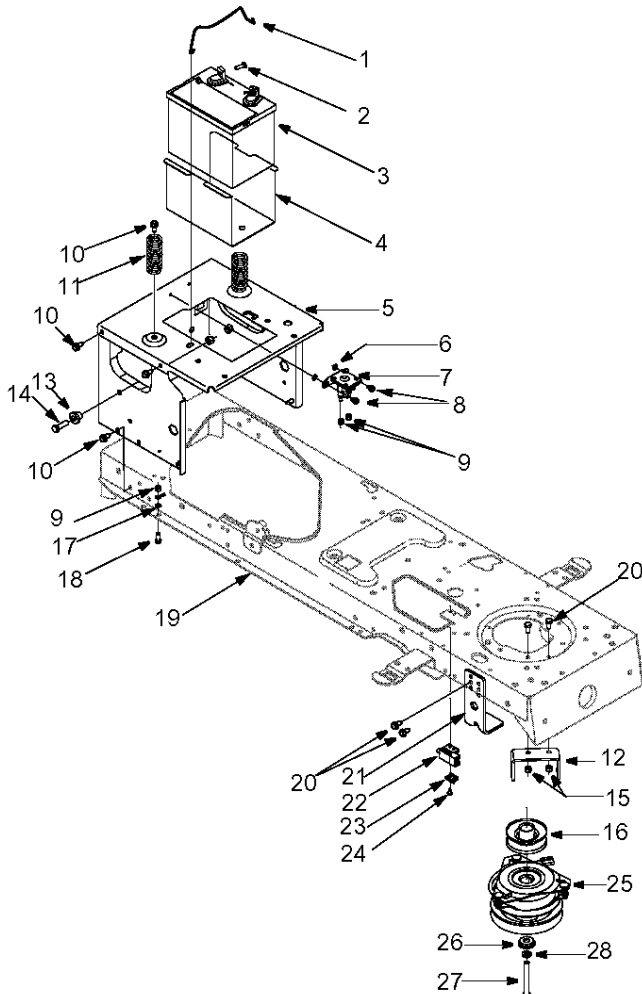


# SECTION 9: PARTS LIST FOR LT-2200



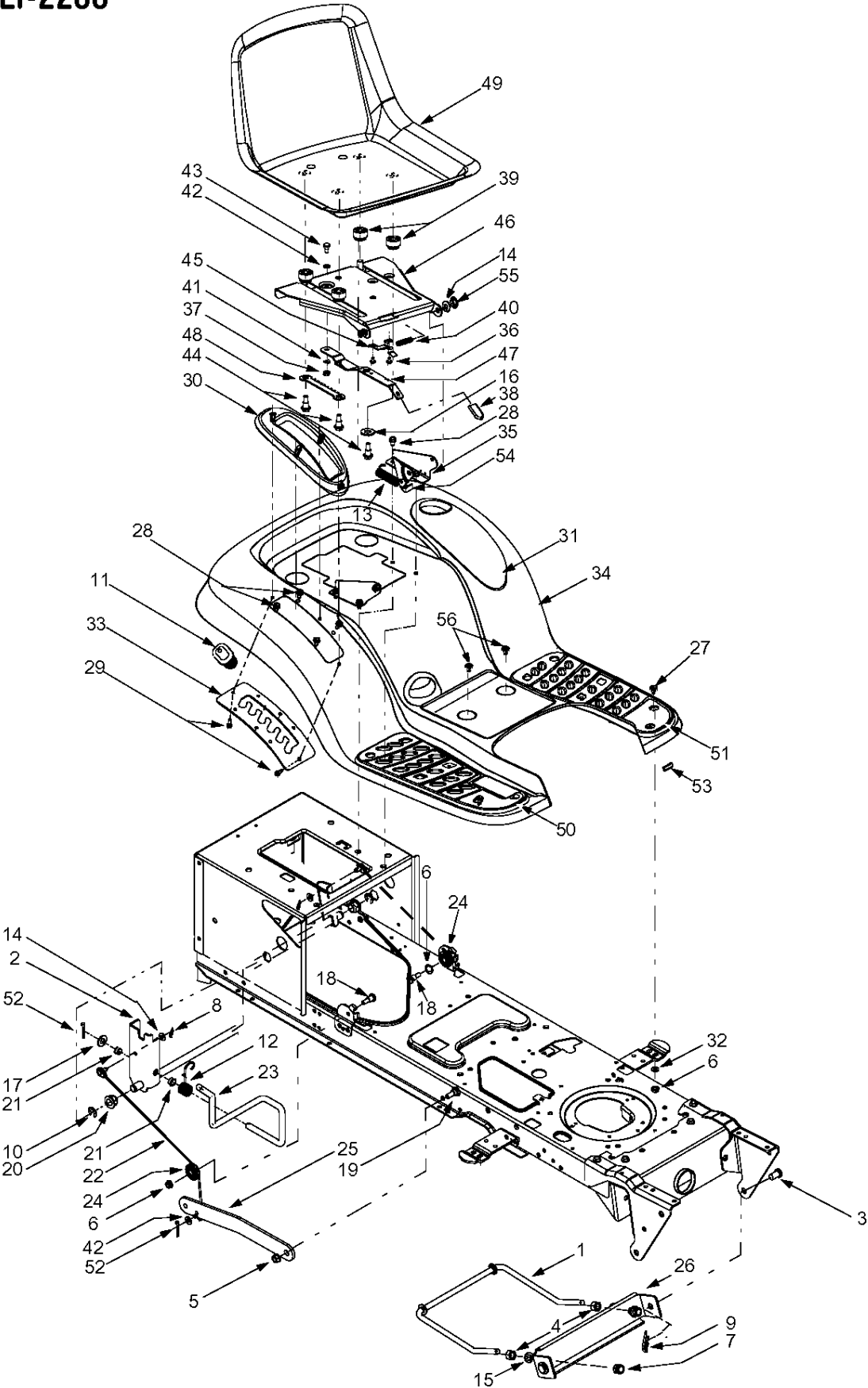
# Model LT-2200

Ref. No.	Part No.	Description	Ref. No.	Part No.	Description
1	710-3015	Hex Cap Screw, 1/4-20 x .75	26	631-04035A	Dash Panel, 4-style w/ Cargo Net
2	710-0599	Self-tapping Screw, 1/4-20 x .5	27	731-04214	Parking Brake Button
3	712-0324	Lock Nut, 1/4-20	28	731-1857	Throttle Control Lever
4	710-0895	Self-tapping Screw, 1/4-15 x .75	29	731-04213	Cruise Control Button
5	710-0924	Pan Phillips Screw, 1/4-20 x .75	30	747-1155	Brake/Cruise Pivot Rod
6	710-0376	Hex Cap Screw, 5/16-18 x 1.0	31	783-04285	Dash Support Plate RH
7	712-0292	U-type Speed Nut, 1/4-20		783-04323	Dash Support Plate LH
8	712-0429	Lock Nut, 5/16-18	32	731-2232	Intake Bellow
9	726-0201	Speed Nut	33	751-0658E	Fuel Tank, 3-gallon
10	747-2127	Hood Latch Rod	34	751-0603	Fuel Cap
11	731-2286	Head Light Lens	35	725-1745	Ignition Key w/ plastic cover
12	683-0305	Hood Bracket Assembly		725-1744	Ignition Key w/o plastic cover
13	731-2283A	Hood	36	710-0726	Self-tapping Screw, 5/16-18 x .75
14	731-2327A	LH Side Panel	37	783-1000A	Grille Support Bracket
15	731-2328A	RH Side Panel	38	725-04036	Systems Indicator Monitor
16	736-0329	Lock Washer, 1/4	39	725-1741	Ignition Switch
17	736-0342	Flat Washer, .283 x .75 x .030	40	625-0051	Headlight Assembly
18	736-0173	Flat Washer, .28 x .74 x .063	41	710-1611B	Self-tapping Screw, 5/16-18 x .75
19	736-3078	Flat Washer, .349 x 1.0 x .063	42	736-0142	Flat Washer
20	710-0809	Self-Tapping Screw, 1/4-20 x 1.25	43	783-0728	Pivot Bar Bracket
21	731-2284	Hood Plenum w/o Intake Bellow	44	783-0726B	Pivot Bracket Support RH
22	710-0604A	Self-Tapping Screw, 5/16-18 x .625		783-0727A	Pivot Bracket Support LH
23	710-1017	Torx Self-Tapping Screw, 1/4-14 x .625	—	629-04083	Headlight Wire Harness
24	710-3217	Torx Screw, #8-32 x .375	—	629-1071	Tractor Wire Harness
25	712-0142	Hex Nut, 8-32	45	783-0462	PTO Switch Bracket



Ref. No	Part No.	Description
1	747-04121A	Battery Hold-Down Rod
2	710-0751	Hex Cap Screw 1/4-20 x 0.62
3	725-1706A	Battery, 270 CCA
4	783-0349	Battery Tray
5	783-04329	Seat Bracket
6	736-0222	Lock Washer
7	725-1426	Solenoid 12 v., 100 amp.
8	710-0599	TT Screw 1/4-20 x 0.5
9	712-0324	Hex Lock Nut 1/4-20
10	710-0726	AB Screw 5/16-12 x 0.75
11	732-04035	Compression Spring
12	783-1003	Clutch Bracket
13	738-04058	Spacer
14	710-3005	Hex Bolt 3/8-16 x 1.25
15	712-0429	Hex Lock Nut
16	756-04078	Pulley: Single Speed
17	738-0143	Shoulder Screw
18	710-0642	TT Screw 1/4-20 x 0.75
19	683-04099	Lower Frame Assembly
20	710-3025	Hex Bolt 5/16-18 x 0.625
21	783-04467	Deck Bracket
22	725-1657A	Switch
23	17962	Switch Plate
24	710-0224	Screw #10-16 x 0.5
25	717-04080	Clutch: Electric PTO
26	738-0785	Shoulder Spacer
27	710-3157	Hex Bolt 7/16-20 x 3.25
28	736-0171	Lock Washer

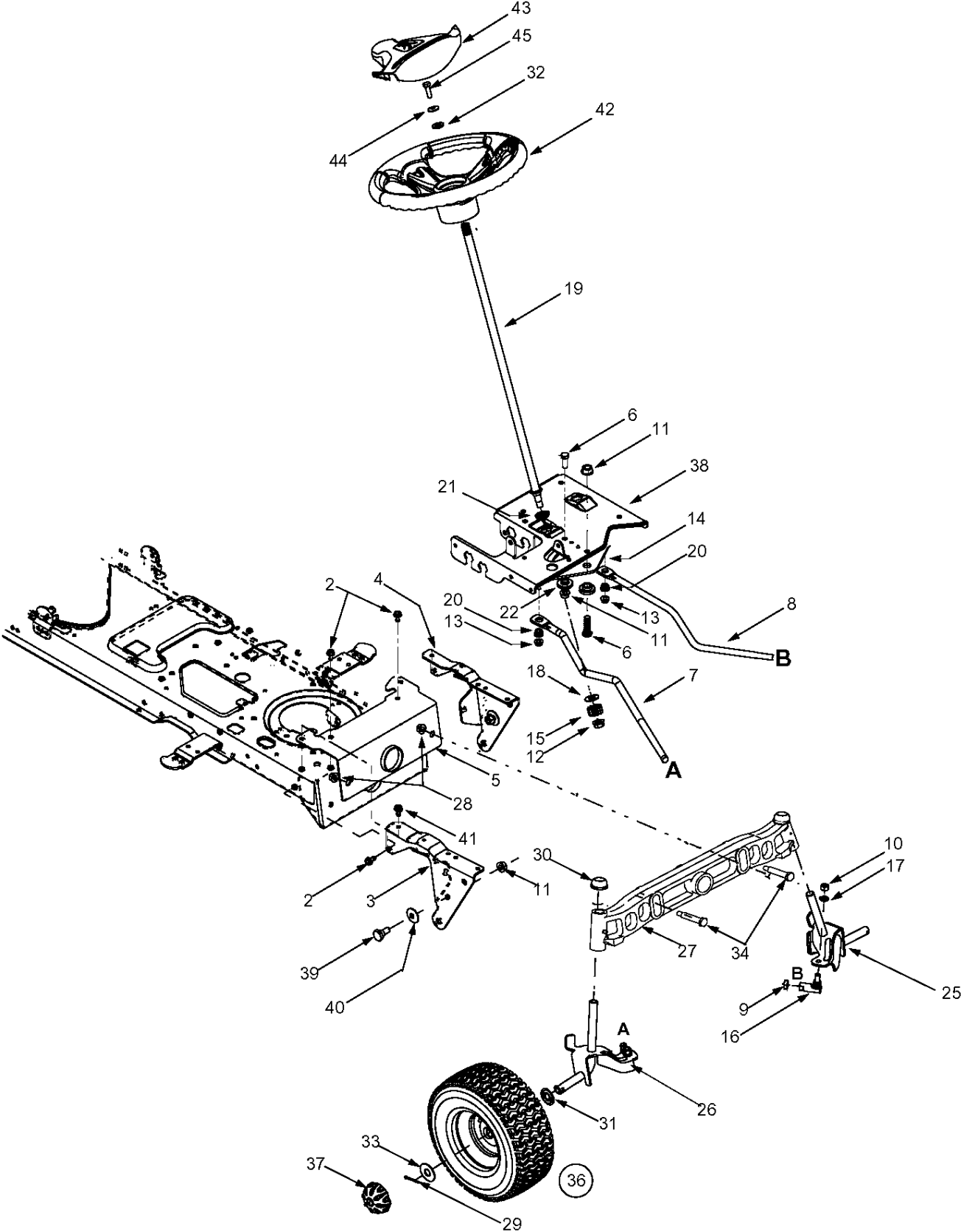
# Model LT-2200



# Model LT-2200

Ref. No.	Part No.	Description	Ref. No.	Part No.	Description
1	747-1130B	Deck Stabilizer Rod	30	731-1990	Lift Lever Cover
2	683-0197B	Lift Shaft Assembly	31	731-1993	Cover w/ Cup Holder
3	711-0332	Clevis Pin, .5 x .78	32	736-3078	Flat Washer, .349 x 1.0 x .063
4	712-3083	Lock Nut, 1/2-13	33	783-0677	Lift Adjustment Bracket
5	712-0130	Lock Nut, 3/8-16	34	783-04333	Fender
6	712-0429	Lock Nut, 5/16-18	35	783-1489	Seat Mounting Bracket
7	712-3083	Hex Nut, 1/2-13	36	710-1268	Screw, #10-16 x .375
8	714-0104	Internal Cotter Pin	37	712-0324	Hex Lock Nut, 1/4-20
9	714-04023	Internal Cotter Pin	38	720-0309A	Seat Adjuster Grip
10	716-0106A	E-ring	39	731-04074	Spacer
11	720-0311	Handle Grip	40	732-0499	Compression Spring, .41 x 1.5
12	732-0874	Torsion Spring	41	736-0175	Spring Washer, .265 x .562 x .025
13	732-1027	Extension Spring, .872 x 3.4	42	736-0204	Flat Washer, .344 x .62 x .03
14	736-0275	Flat Washer, 5/16	43	738-0137A	Shoulder Screw, .340 x .285, 1/4-20
15	736-0921	Lock Washer, 1/2	44	738-0966	Shoulder Screw, .50 x .925, 3/8-16
17	736-3084	Flat Washer, .51 x 1.12 x .06	45	783-0611	Seat Stop
18	738-0138A	Hex Cap Screw, 5/16-18 x .62	46	783-0738A	Seat Pivot Bracket
19	738-0143	Shoulder Screw, 3/8-16	47	783-0739	Seat Adjustment Lever
20	741-0225	Hex Flange Bearing	48	783-0753	Seat Adjustment Selector
21	741-0715	Snap Flange Bearing	49	757-04014A	Medium Back Seat, Black
22	746-0968	Lift Cable, 16.16	50	735-0656	RH Foot Pad
23	747-1111A	Lift Handle	51	735-0657	LH Foot Pad
24	756-1154	Roller Pulley		726-3046	Foot Pad Clips (Not Shown)
25	783-0678A	Arm Lift	52	714-0111	Cotter Pin
26	783-0720A	Deck Stabilizer Bracket	53	731-0511	Trim Strip
27	710-0602	Self-tapping Screw 5/16-18 x 1.0	54	783-0209C	Seat Lift Bracket
28	710-0604A	Self-Tapping Screw, 5/16-18 x .625	55	726-0201	Speed Clip
29	710-0895	Self-Tapping Screw, 1/4-15 x .75	56	710-0599	Self-Tapping Screw 1/4-20 x 0.5"

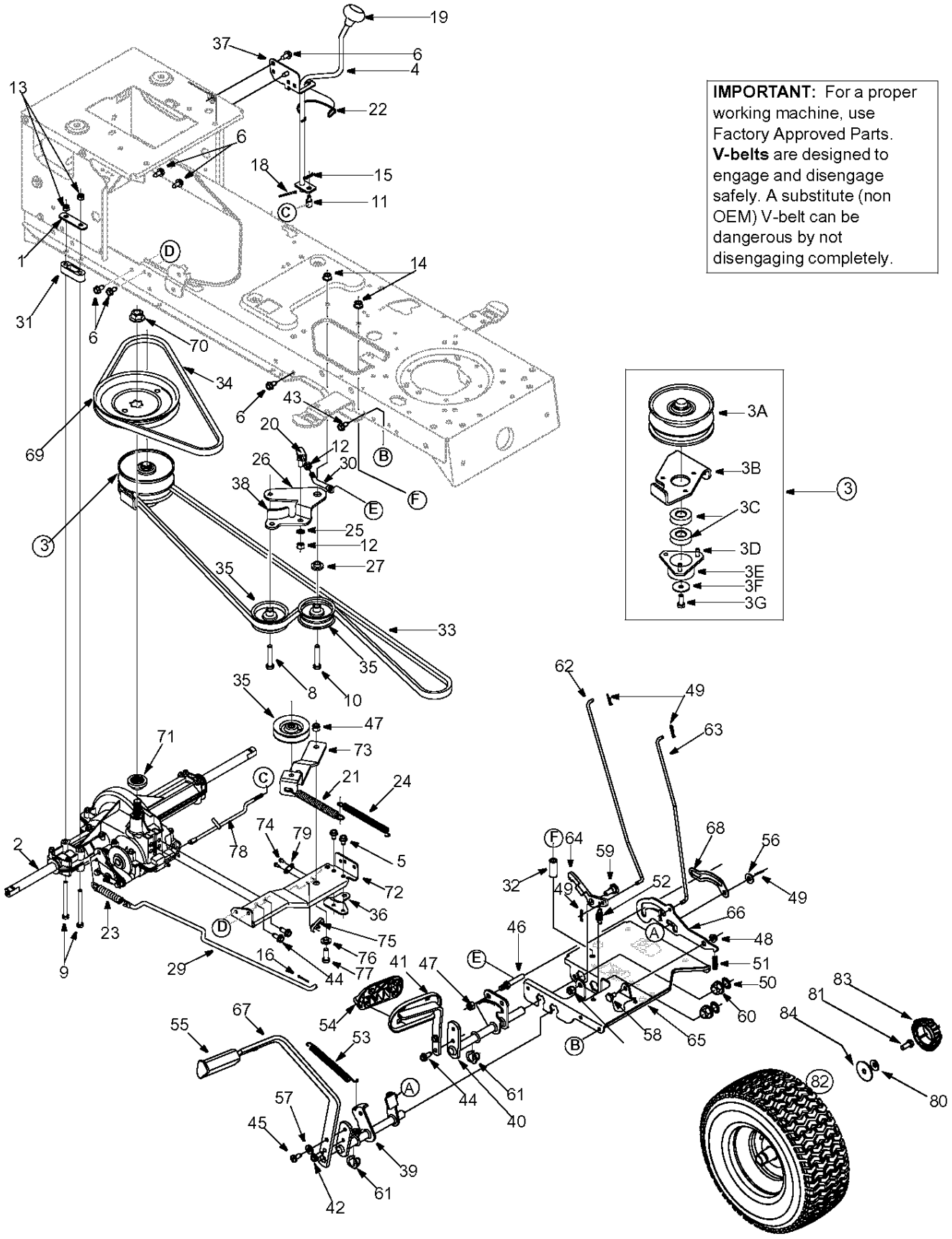
# Model LT-2200



# Model LT-2200

Ref. No.	Part No.	Description	Ref. No.	Part No.	Description
1	719-0525C	Pivot Bar: Axle	26	683-04004	RH Axle Assembly, .750 Diameter
2	710-0604A	Self-tapping Screw, 16-18 x .625	27	683-0128A	Steel Pivot Bar
3	783-0726B	RH Pivot Support Bracket	28	712-0130	Lock Nut, 3/8-16
4	783-0727A	LH Pivot Support Bracket	29	714-0162	Cotter Pin
5	783-0728	Pivot Bar Bracket	30	726-0341	Push Cap, .625
6	710-0723	Hex Cap Screw, 3/8-16 x 1.25 (Grade 5)	31	736-0316	Flat Washer, .64 x 1.0 x .12
7	711-1408	RH Drag Link	32	736-3004	Flat Washer, .406 x .875 x .105
8	711-1409A	LH Drag Link	33	736-0285	Flat Washer, .635 x 1.589 x .06
9	712-0240	Jam Nut, 7/16-20	34	738-1011	Shoulder Screw, .5 x 2.2, 3/8-16
10	712-0214	Hex Nut, 3/8-24	36	634-04099	Wheel Assembly
11	712-0130	Lock Nut, 3/8-16	—	634-04091	Rim Assembly Only
12	712-0459	Flange Lock Nut, 7/16-20	—	734-0255	Air Valve (Not Shown)
13	712-0429	Lock Nut, 5/16-18	—	734-1731	Tire Only, Square Shoulder
14	717-1550E	Steering Gear, 11/90 Ratio	—	737-0224	Grease Fitting (Not Shown)
15	717-1554	Steering Pinion Gear	—	741-3032	Ball Bearing (Not Shown)
16	723-0448A	Ball Joint, 7/16-20	37	734-2290A	Deluxe Hub Cap
18	736-3084	Flat Washer, .51 x 1.12 x .06	38	783-0653F	Steering Support Bracket
19	738-1001A	Steering Shaft, .625 OD x 24.4	39	738-0143	Shoulder Screw, 3/8-16
20	741-0475	Plastic Bushing, .38 ID	40	736-0331	Bell Washer, .39 x 1.13 x .062
21	741-0656	Hex Flange Bearing, 5/8	41	710-1260A	Self-tapping Screw, 5/16-18 x .75
22	738-0372B	Shoulder Spacer, .38 ID	42	631-04008	Steering Wheel, Soft Grip, Three Spoke
23	631-0027	Standard Steering Wheel, 13.25	43	731-04065	Steering Wheel Cap, Round
24	731-0220	Steering Wheel Cap, Round	45	710-0643	Hex Bolt, 5/16-18 X 1
25	683-04003	LH Axle Assembly, .750 Diameter			

# Model LT-2200



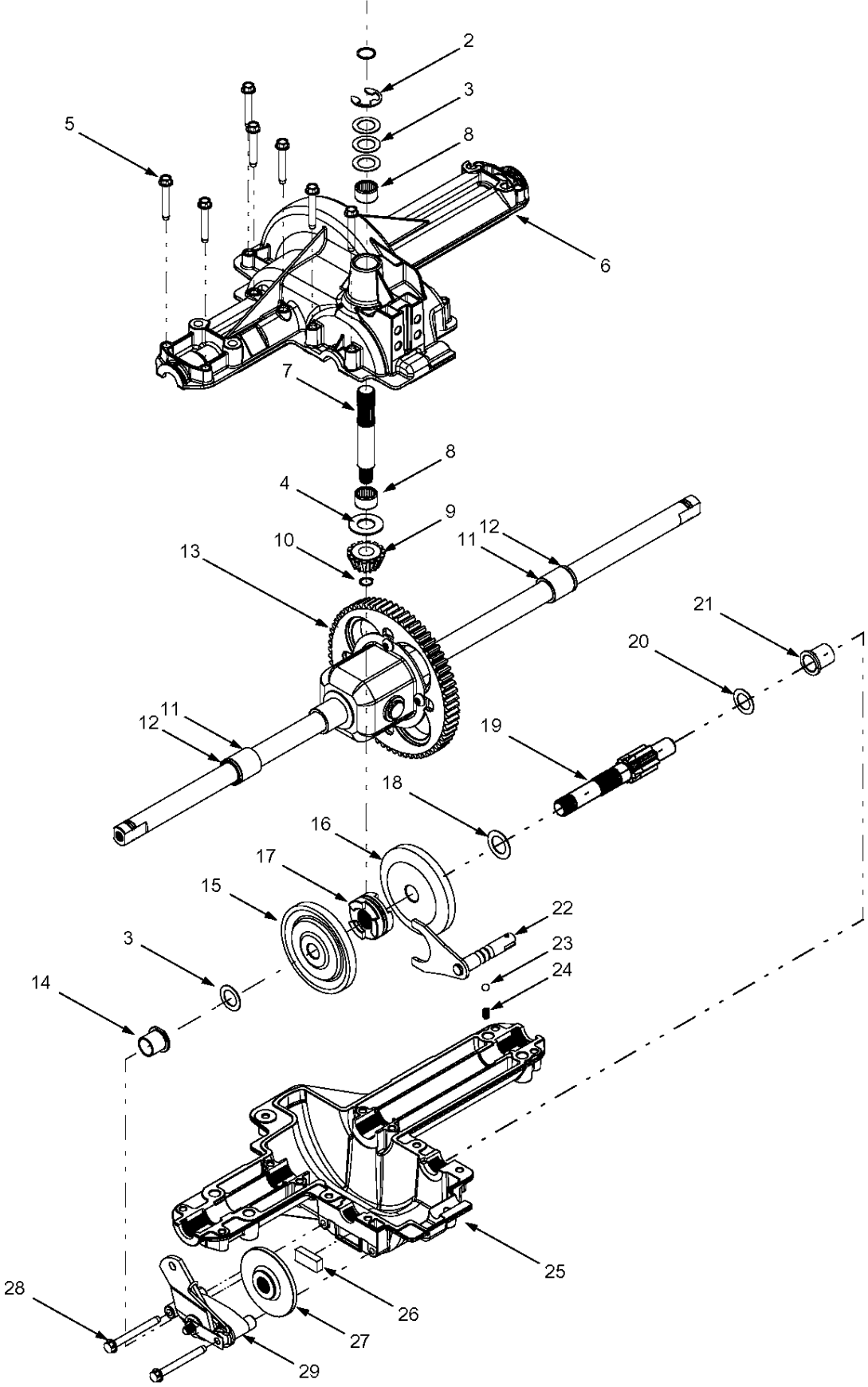
**IMPORTANT:** For a proper working machine, use Factory Approved Parts. **V-belts** are designed to engage and disengage safely. A substitute (non OEM) V-belt can be dangerous by not disengaging completely.

# Model LT-2200

Ref. No.	Part No.	Description	Ref. No.	Part No.	Description
1	17840	Mounting Bracket	41	683-0266	Drive Pedal Assembly
2	618-04133	Drive Assembly	42	710-0650	TT Screw 5/16-18 x 0.875
3	618-04147	Variable Spd. Pulley Assembly	43	710-0726	AB Screw 5/16-12 x 0.75
3A	656-0059B	Var. Spd. Pulley	44	710-1260A	LD Screw 5/16-18 x 0.75
3B	683-04129	Bracket: Variable Speed	45	710-1611B	TT Screw 5/16-18 x 0.75
3C	741-0600	Ball Bearing	46	711-04159	Pin
3D	710-0642	TT Screw 1/4-20 x 0.75	47	712-0130	Hex Lock Nut 3/8-16
3E	718-04012	Cup: Bearing	48	712-3004A	Flange Lock Nut
3F	736-0362	Flat Washer	49	714-0104	Cotter Pin
3G	710-0627	Hex Bolt 5/16-24 x 0.75	50	726-04028	Push Nut
4	647-04020	Shift Lever Assembly	51	732-0335	Compression Spring
5	710-0607	TT Screw 5/16-18 x 0.5	52	732-0955	Extension Spring
6	710-0726	AB Screw 5/16-12 x 0.75	53	732-0963	Extension Spring
7	710-0809	TT Screw 1/4-20 x 1.25	54	735-0662	Control Pad
8	710-1007	TT Sems Screw 3/8-16 x 1.5	55	735-3049	Brake Pad
9	710-1266	Hex Bolt 5/16-18 x 3.5	56	736-0262	Flat Washer
10	710-3144	Hex Bolt 3/8-16 x 2.0	57	736-3008	Flat Washer
11	711-0736	Ferrule	58	738-0155	Shoulder Screw
12	712-0241	Hex Nut 3/8-24	59	738-0380	Shoulder Screw
13	712-0429	Hex Lock Nut 5/16-18	60	741-0225	Hex Flange Bearing
14	712-0431	Flange Lock Nut 3/8-16	61	741-3065B	Hex Flange Bearing: Split
15	714-0104	Hairpin Clip	62	747-04093	Brake Lock Rod
16	714-0111	Cotter Pin	63	747-04096	Cruise Control Rod
17	714-0209	Hairpin Clip	64	748-04039	Cruise Latch
18	714-0470	Cotter Pin	65	783-0653F	Steering Support Bracket
19	720-04028	Shift Knob	66	783-0732	Lock-Out Bracket
20	723-3018	Ball Joint	67	783-0773A	Brake Pedal
21	732-0384	Extension Spring	68	783-0780B	Neutral Return Bracket
22	732-0525	Spring Clip	69	756-04002	Transmission Pulley
23	732-0716	Extension Spring	70	712-0700	Flange Nut 9/16-18
24	732-0963	Extension Spring	71	718-0758A	Pulley Hub
25	736-0169	Lock Washer 3/8	72	683-04055	Transmission Torque Bracket
26	737-3007	Grease	73	683-04130	Idler Bracket
27	738-0372B	Shoulder Spacer	74	710-0227	AB Screw #8-18 x 0.5
28	747-04146	Shift Rod	75	725-1644	Spring Switch
29	747-04164	Brake Rod	76	750-0736	Shoulder Spacer
30	747-1127	Idler Adj. Rod	77	710-0514	Hex Bolt 3/8-16 x 1.0
31	748-0334	Spacer: Transaxle	78	747-04146	Shift Rod
32	750-0566A	Spacer	79	726-0320	Insulator Nut Plate
33	754-0467	V Belt	80	736-0242	Bell Washer
34	754-0468	V Belt	81	710-0627	Hex Cap Screw
35	756-0981A	Flat Idler Pulley	82	634-0177	Wheel Assembly
36	783-04283	Shift Bracket		634-0070	Rim Assembly
37	783-04360	Shift Bracket		734-0255	Air Valve
38	783-04442	Double Idler Bracket: Center		734-1873	Tire
39	647-0031C	Brake Control Assembly	83	734-2290A	Hub Cap
40	647-0032A	Speed Control Assembly	84	736-0430	Flat Washer



# Model LT-2200



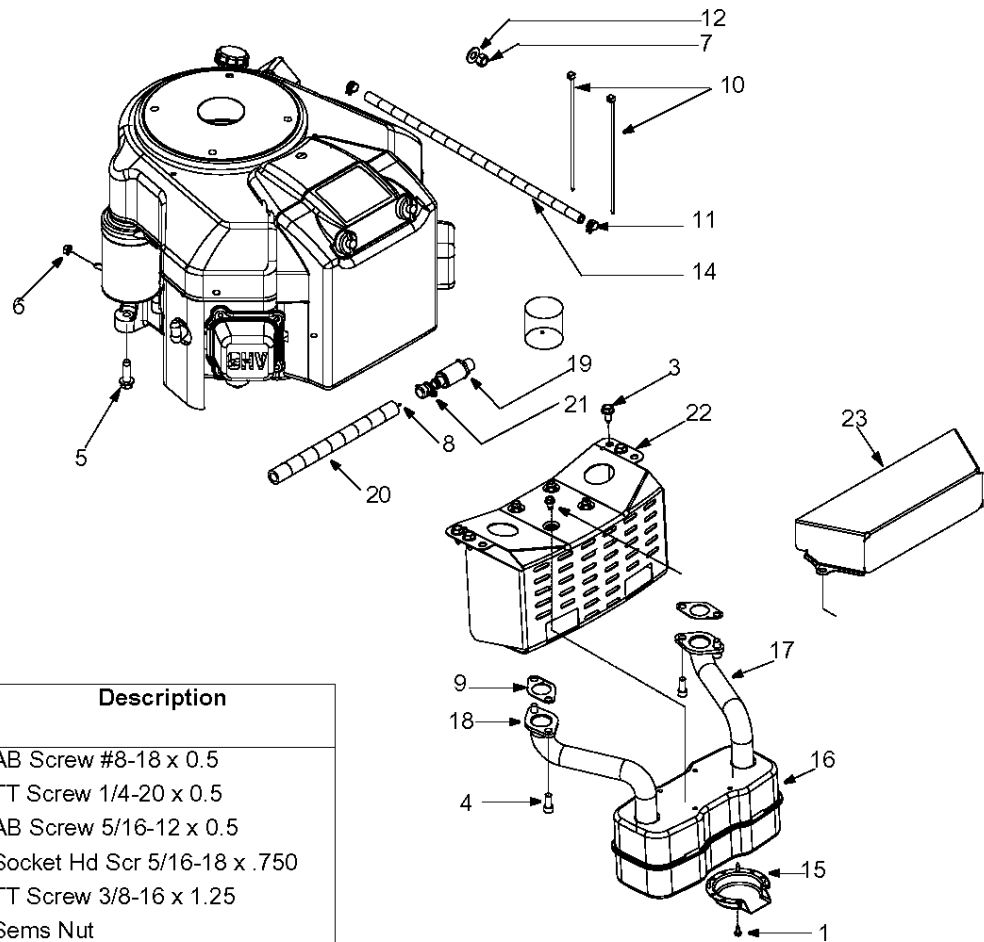
# Model LT-2200

Ref. No.	Part No.	Description
1	732-0614	Ring, Wire
2	716-0231	Ring, E Type, .750
3	736-0336	Flat Washer, 5/8 x 1.0 x .030*
	736-0337	Flat Washer, 5/8 x 1.0 x .040*
	736-0349	Flat Washer, 5/8 x 1.0 x .020*
4	736-0335	Washer, Thrust .635 x 1.26 x .06
5	710-1325	Self-Tapping Screw, 1/4-20 x 1.625
6	719-04017	Upper Housing
7	711-1109	Input Shaft
8	741-0335	Needle Bearing, .625 x .813 x .495
9	717-1464	14-tooth Bevel Pinion
10	716-0108	Retaining Ring, .437
11	741-0340	Sleeve Bearing, .75 x 1.0 x 1.0
12	721-0338	Seal, .75 x 1.0 x .125
13	618-04041	Differential Assembly
14	741-0336	Flange Bearing, 5/8 x 3/4 x 3/4
15	717-1362	42-tooth Bevel Gear
16	717-1363	42-tooth Bevel Gear
17	718-0228	Clutch Collar
18	736-0519	Flat Washer, .70 x 1.125 x .031
19	711-04053	Drive Shaft
20	736-0495	Thrust Washer, 1.0 x .632 x .0
21	741-0337	Flange Bearing, 5/8 x 3/4 x 15/16
22	611-0011	Detent Shaft Assembly
23	741-0862	Detent Ball
24	732-0863	Compression Spring
25	719-04018	Lower Housing
26	717-0678	Brake Puck
27	761-0202	Brake Disc
28	710-1206	Self-Tapping Screw, 1/4-20 x 2.375
29	661-0001	Brake Assembly
—	737-0148	Grease (19 oz.)

\*Use applicable flat washer (12a, 12b or 12c) in this application allowing .0150/.0020 in end-play

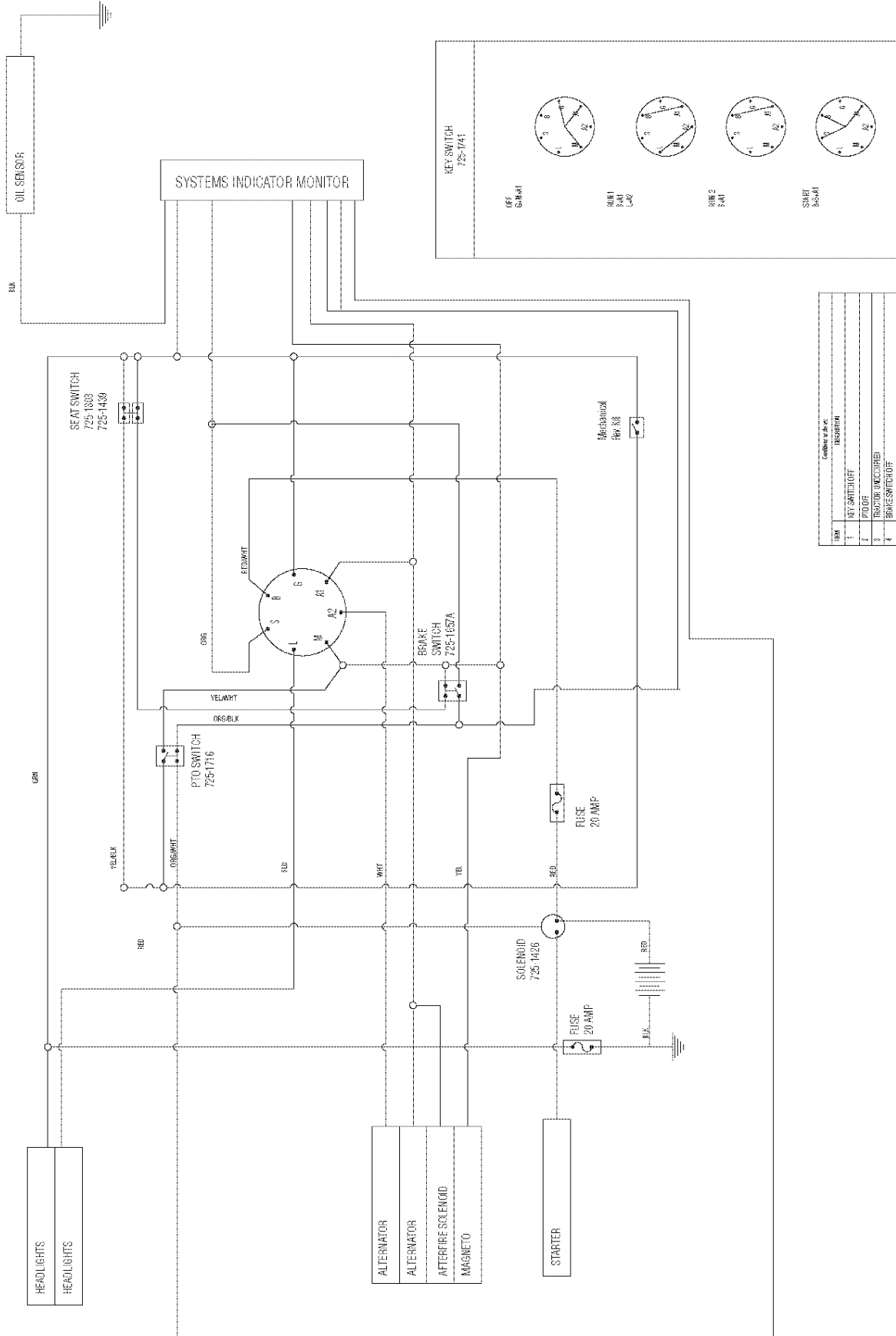
**NOTE:** *If rebuilding the upper housing of the transmission, add two ounces of Unirex® N3 grease (Part No. 737-0289) in the input shaft cavity.*

# Model LT-2200



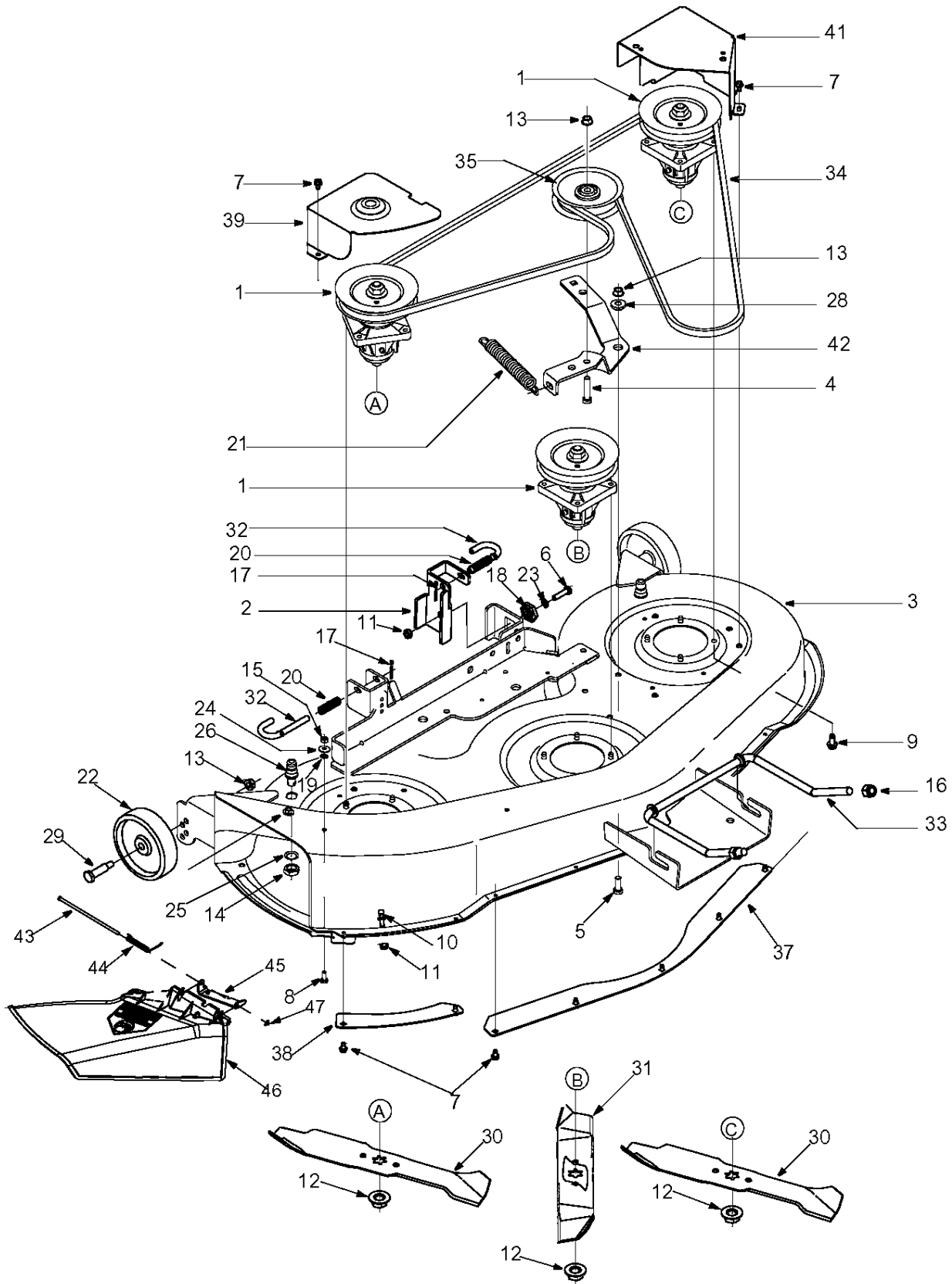
Ref. No.	Part No.	Description
1	710-0227	AB Screw #8-18 x 0.5
2	710-0599	TT Screw 1/4-20 x 0.5
3	710-0726	AB Screw 5/16-12 x 0.5
4	710-1314A	Socket Hd Scr 5/16-18 x .750
5	710-1315	TT Screw 3/8-16 x 1.25
6	712-0271	Sems Nut
7	712-3017	Hex Nut 3/8-16
8	721-0331	Pipe Sealant
9	721-0460	Exhaust Gasket
10	725-0157	Cable Tie
11	726-0205	Hose Clamp
12	736-0300	Flat Washer
13	737-0169	SAE 30W Oil
14	751-0535	Fuel Line Hose
15	751-0564A	Muffler Deflector
16	751-0616A	Muffler
17	751-0813A	Exhaust Pipe LH
18	751-0814A	Exhaust Pipe RH
19	751-3140	Oil Drain
20	751-3141	Oil Drain Hose extension
21	751-3142	Oil Drain Cap
22	783-0615C	Muffler Bracket
23	783-0625C	Heat Shield

# Model LT-2200



Continued on p. 26.	
TERMINAL	DESCRIPTION
1	KEY SWITCH (OFF)
2	PTO OFF
3	TRACTOR UNLOCKED
4	BRAKE SWITCH OFF

# Model LT-2200



## Model LT-2200: 46" Deck

Ref. No.	Part No.	Description	Ref. No.	Part No.	Description
1	618-04137	Pulley-Spindle Assembly	25	736-0760	Lock Washer
2	683-0254	Deck Hanger Bracket Assembly	26	737-04003B	Nozzle
3	683-04104	Deck Assembly w/ Nozzle	27	737-3007	Grease
4	710-0347	Hex Bolt 3/8-16 x 1.75	28	738-0372B	Shoulder Spacer
5	710-0514	Hex Bolt 3/8-16 x 1.0	29	738-0373	Shoulder Screw 3/8-16 x 1.5
6	710-0528	Hex Bolt 5/16-18 x 1.25	30	742-0611A	Blade 16.28 Lg.: Three-in-One
7	710-0599	TT Screw 1/4-20 x 0.5	31	742-0612A	Blade 14.88 Lg.: Three-in-One
8	710-0751	Hex Bolt 1/4-20 x 0.620	32	747-1116	Deck Release Handle
9	710-1260A	LD Screw 5/16-18 x 0.75	33	747-1130B	Deck Rod: Front Adjustment
10	711-04069	Grasscatcher Pin	34	754-04033	V Belt
11	712-0324	Lock Nut 1/4-20	35	756-1229	Idler Pulley
12	712-0417A	Flange Nut	36	771-11725A	Danger Tag (not shown)
13	712-0431	Flanged Lock Nut 3/8-16	37	783-0141	Deck Skirt: Center
14	712-0641	Hex Nut M16	38	783-0142	Deck Skirt RH
15	712-3006	Hex Nut	39	783-0805C	Belt Cover
16	712-3083	Hex Lock Nut 1/2-13	40	783-1025	Chute Stop (not shown)
17	714-0111	Cotter Pin	41	783-1348A	Belt Cover
18	717-04074	Gear: Deck Adjustment	42	783-1421	Idler Bracket
19	726-0233	Push Nut	43	711-0792	Hinge Pin
20	732-0306A	Compression Spring	44	732-0602A	Compression Spring
21	732-0594A	Extension Spring	45	703-1693A	Mounting Bracket
22	734-0973	Deck Wheel	46	731-1031C	Deflector: Discharge Chute
23	736-0119	Lock Washer	47	726-0106	Speed Nut
24	736-0270	Bell Washer			