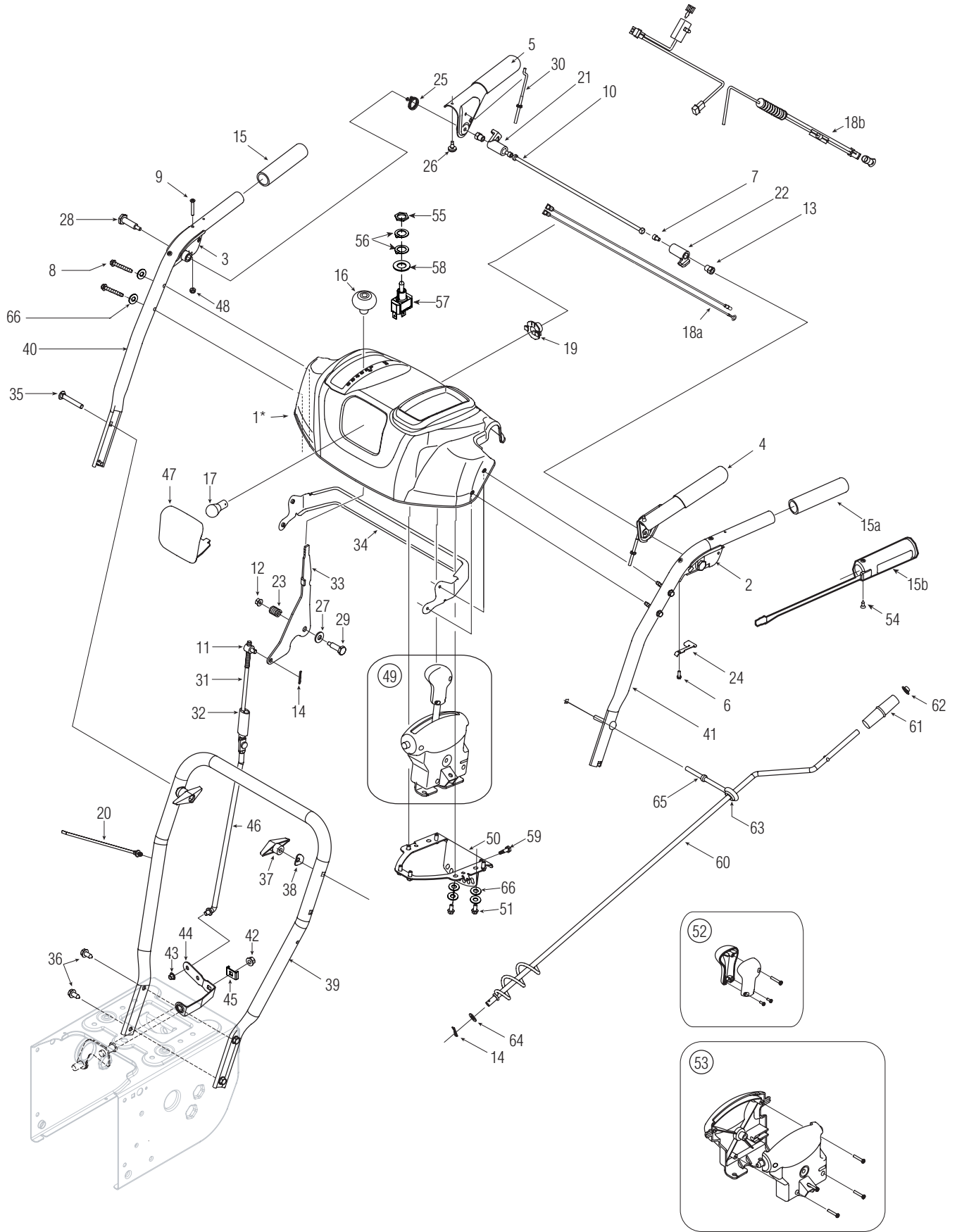


# SECTION 9: PARTS LIST



K-Style Shown

# Styles H & K

REF. NO.	PART NO.	DESCRIPTION	REF. NO.	PART NO.	DESCRIPTION
1	631-04125	Panel Ass'y, Handle, Black, H-Style* (Inc. Ref. 47)	31	747-04348	Rod, Shift, .312 x 9.0 Upper
	631-04128	Panel Ass'y, Handle, Black, K-Style* (Inc. Ref. 47)	32	750-0963	Connector Sleeve, Shift Rod
	631-04146	Panel Ass'y, Handle, Gray, K-Style* (Inc. Ref. 47)	33	790-00130	Lever, Shift
2	631-04133	Handle Assembly, Clutch Lock, LH (Inc. Ref. 48)	34	790-00140	Bracket, Panel
3	631-04134	Handle Assembly, Clutch Lock, RH (Inc. Ref. 48)	35	710-0449	Screw, Carriage, 5/16-18, 2.25, Gr5
4	684-04105A	Handle Assembly, Engagement, LH	36	710-0726	Screw, 5/16-12, 0.750
5	684-04106A	Handle Assembly, Engagement, RH	37	720-0284	Wing Knob, 5/16-18
6	710-04326	Screw, #8-16 x.50	38	736-0451	Washer, Saddle, 320 x.93 x.060
7	710-04354	Screw, 1/4-20 x.375	39	749-04138	Handle, Lower, Snow
8	710-1026	Screw, Self-tapping, 1/4-20 x 1.750	40	749-04141	Handle, Upper, RH
9	710-1233	Screw, Machine, #10-24 x 1.375		749-04190†	Handle, Upper, RH (For Heated Grips)
10	711-04287	Rod, Pivot	41	749-04142	Handle, Upper, LH
11	711-0677	Ferrule, 5/16-18 x.312		749-04191†	Handle, Upper, LH (For Heated Grips)
12	712-04064	Nut, Flange Lock, Nylon, 1/4-20	42	712-04063	Nut, Flange Lock, Nylon, 5/16-18
13	712-04081A	Nut, Shoulder, Hex, 1/4-20,	43	726-0135	Nut, Speed,.3125 Dia.
14	714-0104	Pin, Cotter,.072 Dia. x 1.13	44	732-04205	Spring Lever, Shift
15a	720-0274	Grip, 1.0 ID x 5.0	45	790-00156	Shift Bracket Spacer
15b	725-1757†	Heated Grip	46	747-04257	Shift Rod, Lower
16	720-04039	Knob, Shift	47	731-04864	Lens
17	725-04213	Lamp	48	712-0161	Nut, Hex Lock, Nylon, #10-24, Gr2
18a	725-04214	Harness, w/o Heated Grips	49	684-04117††	Chute Control Assembly, 2-Way
18b	725-04216A†	Harness, Heated Grips	50	790-00131††	Bracket, Joystick
19	725-1649	Socket, Lamp	51	710-04187††	Screw, 1/4-15 x.50
20	726-0470†	Tie, Cable, 19 x 8.39", Tree Mount	52	753-04862††	Kit, 2-Way Knob
21	731-04894A	Plate, Lock	53	753-04864††	Kit, Chute Control Housing
22	731-04896	Cam, Clutch Lock	54	710-0837†	Screw, #10-16 x.625
23	732-0193	Spring, Compression,.39 x.60 x.88	55	712-0693†	Jam Nut, 15/32-32
24	732-04219	Spring, Clutch, Lock	56	716-0398†	Toggle Switch Lock Ring
25	732-04238	Spring, Torsion, 0.8156 ID x.3038	57	725-1756†	2 Pos., Single Throw Toggle Switch
26	735-0199A	Bumper, Rubber,.62 OD x.22	58	736-0226†	Flat Washer,.474 x.879 x.064
27	736-0262	Washer, Flat,.385 x.870 x.092	59	738-04135††	Shoulder Screw,.25 x.50
28	738-04122	Screw, Shoulder,.437 x 1.345, 1/4-20	60	684-04104	Chute Directional Control
29	738-04125	Screw, Shoulder,.374 Dia. x 1.05	61	720-0201A	Chute Directional Control Knob
30	746-0778	Z-Fitting, Cable	62	726-0100	Push Cap
			63	735-0234	Rubber Grommet
			64	736-0185	Flat Washer,.375 x.738 x.063
			65	747-04263	Eye Bolt
			66	736-0463	Washer, Flat,.25 x.630 x.0515

\* Example of H-Style: 31AE6FHG705

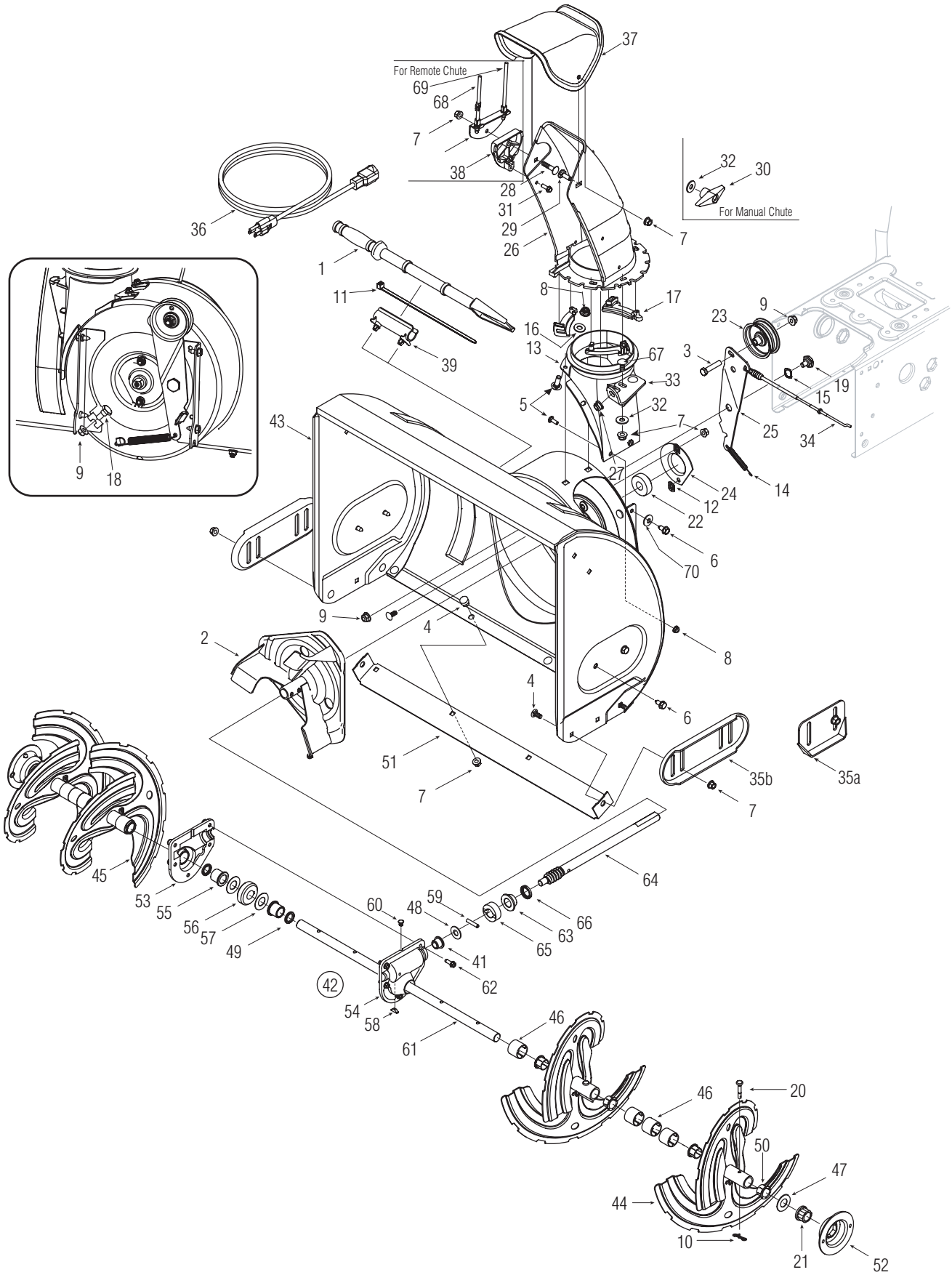
\* Example of K-Style: 31AE6GKG731

† If Equipped

†† K-Style

**NOTE:** Snow thrower features and components vary by model. NOT all parts listed above and pictured on the previous page are standard equipment.

# Styles H & K



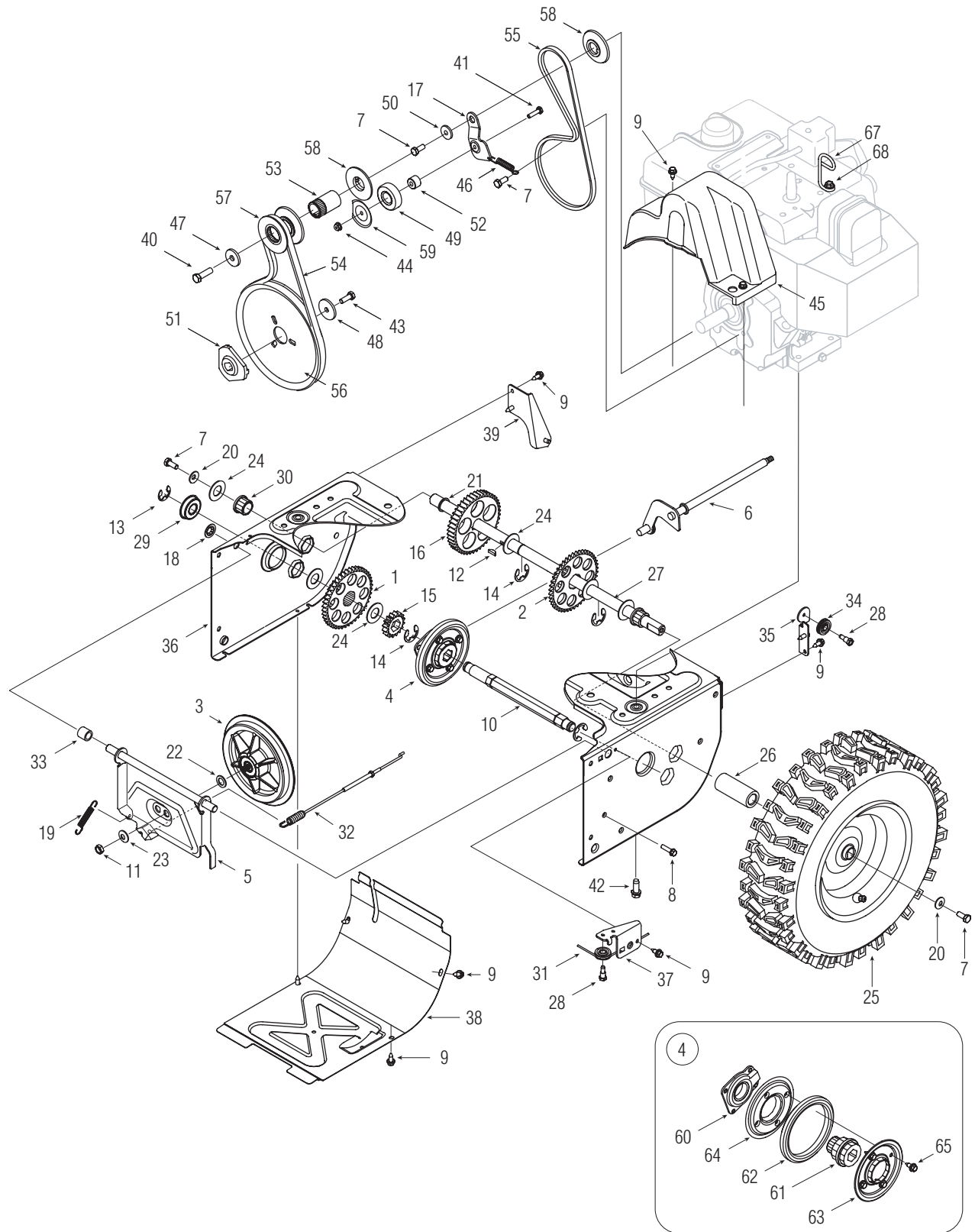
# Styles H & K

REF. NO.	PART NO.	DESCRIPTION	REF. NO.	PART NO.	DESCRIPTION
1	731-2643	Clean Out Tool	40	784-5594††	Cable Bracket (Cables not included)
2	684-04057	Impeller Assembly, 12" Dia	41	741-0663	Bearing, Flange,.75 ID x 1.00 OD x.925
3	710-0347	Screw, 3/8-16 x 1.75, Gr5, Std	42	618-04171	Gearbox Assembly, Auger, 24"
4	710-0451	Bolt, Carriage, 5/16-18 x.750 Gr1		618-04173	Gearbox Assembly, Auger, 28"
5	710-0703	Screw, Carriage, 1/4-20 x.75, Gr5		618-04165	Gearbox Assembly, Auger, 30"
6	710-0726	Screw, 5/16-12 x 0.750	43	684-04069	Housing Assembly, Auger 24"
7	712-04063	Nut, Flange Lock, Nylon, 5/16-18, GrF		684-04073	Housing Assembly, Auger 28"
8	712-04064	Nut, Flange Lock, Nylon, 1/4-20, GrF		684-04063	Housing Assembly, Auger 30"
9	712-04065	Nut, Flange Lock, Nylon, 3/8-16, GrF	44	684-04107^	Spiral Assembly, LH
10	714-04040	Pin, Cotter, Bow Tie	45	684-04108^	Spiral Assembly, RH
11	725-0157	Cable, Tie, 3/16 x.05 x 7.4	46	731-04870*	Spacer, 1.25 OD x.75 ID x 1.00
12	726-04012	Nut, Push-on,.25 Dia		731-04871**	Spacer, 1.25 OD x.75 ID x 3/16
13	731-04705	Chute, Adapter 5" Dia	47	736-0188	Washer, Flat,.76 x 1.49 x.06
14	732-0611	Spring, Extension,.38 OD x 3.6	48	736-3084	Washer, Flat,.51 x 1.12
15	736-0174	Washer, Wave,.625 x.885 x.015	49	721-0179	Seal, Oil,.750 ID
16	736-0463	Washer, Flat,.25 x.630 x.0515	50	741-0493A	Bushing, Flange,.800 ID x.910 OD
17	731-04869	Keeper, Flange	51	790-00120	Plate, Shave, 24"
18	738-0143	Screw, Shoulder,.498 x.340, 3/8-16		790-00118	Plate, Shave, 28"
19	738-0281	Screw, Shoulder,.625 x.17, 3/8-16		790-00119	Plate, Shave, 30"
20	738-04124	Pin, Shear,.25 x1.50, Gr2	52	790-00087	Housing, Bearing, 1" Hex
21	741-0245	Bearing, Hex Flange x.75 ID	53	618-0123	Housing Assembly, Auger, RH Reducer (Inc. Refs. 49 & 55)
22	741-0309	Bearing, Ball,.75 ID x 1.85 OD	54	618-0124	Housing Assembly, Auger, LH Reducer (Inc. Refs. 49 & 55)
23	756-0981A	Pulley, Idler, Flat 2.75 OD	55	741-0661A	Bearing, Flange,.75 ID x 1.00 OD x.975
24	790-00075	Housing, Bearing, 1.85 ID	56	717-0528A	Gear, Worm 20T
25	790-00080	Bracket, Auger Idler w/ Brake	57	736-0351	Washer, Flat,.760 ID x 1.5 OD
26	631-04131	Chute Assembly, Lower, 2-way (Inc. Ref 17, Qty. 3)	58	714-0161	Key, Hi-pro 3/16 x 5/8
27	741-0475	Plastic Bushing	59	715-04021	Pin, Dowel,.25 OD x 1.2
28	710-0451†	Bolt, Carriage, 5/16-18,.750, Gr1	60	721-0325	Plug, 1/4 x.437
	710-0262††	Bolt, Carriage, 5/16-18, 1.50, Gr2	61	711-04285	Axle, Auger, 24"
29	710-04071	Bolt, Carriage, 5/16-18, 1.00		711-04283	Axle, Auger, 28"
30	720-0284†	Knob Assembly		711-04282	Axle, Auger, 30"
31	710-0895††	Screw, 1/4-15 x 0.75	62	710-0642	Screw, Self-tapping, 1/4-20, 0.750
32	736-0159	Flat Washer,.349 x.879 x.063	63	741-0662	Bearing, Flange,.75 ID x 1.00 OD x.59
33	784-5647	Chute Directional Control Bracket	64	717-04126	Shaft, Worm.75 OD
34	746-0897	Auger Clutch Cable, 44.75"	65	718-04071	Collar, Thrust
35a	784-5580	Shoe, Slide, Standard	66	721-0327	Seal, Oil,.75 x 1 x 1.31
35b	790-00091‡	Shoe, Slide, Deluxe	67	710-0276	Carriage Screw, 5/16-18 x 1.00
36	629-0071	Extension Cord, 3-Prong	68	746-0901	Chute Deflector Cable w/Clip
37	731-04426A†	Upper Chute, Manual	69	746-0896	Chute Deflector Control Cable
	731-04427A††	Upper Chute, Remote	70	736-0242	Bell Washer
38	731-1313C	Cable Guide, Chute Tilt			
39	731-2635	Mount, Clean Out Tool			

- \* One found between spirals on models with 24-inch auger housing.
- \* Three found between spirals on models with 28-inch auger housing.
- \*\* One found between spirals on models with 30-inch auger housing.
- ^ Three found on models with 30-inch auger housing.
- † H-Style
- †† K-Style
- ‡ If Equipped

**NOTE:** Snow thrower features and components vary by model. NOT all parts listed above and pictured on the previous page are standard equipment.

# Styles H & K



# Styles H & K

REF. NO.	PART NO.	DESCRIPTION	REF. NO.	PART NO.	DESCRIPTION
1	617-04026	Gear Assembly, 16/44T	35	784-5687A	Guide Bracket, Auger Cable
2	617-04025	Gear Assembly, 16/44T	36	790-00072	Frame
3	656-0012A	Disc Assembly, Friction Wheel,.375	37	790-00096	Guide Bracket, Front, Auger Cable
4	684-04066	Wheel Assembly, Friction, 4.9 OD	38	790-00054	Cover, Frame
5	684-04045	Support Bracket Ass'y, Friction Wheel	39	790-00055	Roller Bracket, Drive Cable
6	684-04139	Shift Assembly, Rod	40	710-0191	Screw, 3/8-24 x 1.25, Gr8
7	710-0627	Screw, 5/16-24 x .750, Gr5	41	710-0597	Screw, 1/4-20 x 1.00, Gr5
8	710-0788	Screw, 1/4-20 x 1.000	42	710-0654A	Screw, Sems, 3/8-16 x 1.00
9	710-1652	Screw, 1/4-20 x .625	43	710-1245B	Screw, 5/16-24 x .875, Gr8
10	711-04246A	Hex Shaft, Drive,.75	44	712-04064	Nut, Flange Lock, Nylon, 1/4-20, GrF
11	712-0711	Nut, Jam, 3/8-24, Gr2	45	731-04792	Cover, Belt
12	714-0161	Key, Hi-pro 3/16 x 5/8	46	732-0710	Spring, Extension,.38 OD x 2.68
13	716-0231	Ring, E Type,.750	47	736-0247	Washer, Flat,.406 x 1.25 x .157
14	716-0136	Ring, E-Type,.875	48	736-0505	Washer, Flat,.34 x 1.50 x .150
15	717-04129A	Pinion, 16T	49	741-0919	Bearing, Ball, 20 x 47 x 14
16	717-04137A	Gear, 44T	50	748-0234	Shoulder Spacer
17	790-00082	Idler, Bracket, Drive	51	748-04053	Pulley, Adapter,.75 Dia.
18	726-0221	Nut, Speed,.500	52	750-04230	Spacer,.777 OD x .260 ID x .550
19	732-0264	Extension Spring	53	750-04303	Spacer,.875 ID x 1.185 OD
20	736-0242	Washer, Bell,.340 x .872 x .060	54	754-04050	V-Belt, 1/2"
21	736-04161	Washer, Flat,.75 x 1.00 x .060	55	754-0456	V-Belt, 3/8"
22	736-0300	Washer, Flat,.406 x .875 x .059	56	756-04109	Pulley, Auger, 8.1 x .50
23	736-0105	Washer, Bell,.375 x .870 x .063	57	756-04113	Pulley, Half, 2.600 OD
24	736-0287	Washer, Flat,.793 x 1.24 x .060	58	756-04114	Pulley, Half, 2.2 OD
25	See Chart	Wheel, Complete	59	790-00062	Washer, Bearing, 2.12 OD x .255 ID
26	731-04873	Spacer, 1.25 OD x .75 ID x 3.00	60	618-04169	Bearing Assembly, Friction Wheel
27	738-04095A	Axle,.75 x 22	61	718-04070	Hub, Friction Wheel
28	738-0924	Screw, 1/4-28 x .375	62	735-0243B	Friction Wheel Rubber, 4.875 OD
29	741-0563	Bearing, Ball, 17 x 40 x 12	63	790-00010	Plate, Friction, 12 Pt 4.60 Dia
30	741-0245	Bearing, Hex Flange x .75 ID	64	790-00011	Plate, Friction, Extrs, 12 Pt 4.60 Dia
31	746-0897	Cable, Auger, 44.75	65	710-0896	Screw, Self-tapping, 1/4-14 x 0.625
32	746-04086	Cable, Drive, 41.75	66	723-0608	Tire Chain Set (Not Shown)
33	748-0190	Spacer,.508 ID x .75 OD x .68	67	732-0705†	Chute Cable Guide
34	756-0625	Roller, Cable	68	710-0602†	Screw, 5/16-18 x 1.00

† If Equipped

Wheel Assembly Complete	Wheel Size	Rim Only	Tire Only	Air Valve
634-04144	13 x 4	634-04151	734-1732	734-0255
634-04142	15 x 5	634-04151	734-1859	734-0255
634-04141	16 x 4.8	634-04140	734-1530	734-0255

**NOTE:** Snow thrower features and components vary by model. NOT all parts listed above and pictured on the previous page are standard equipment.