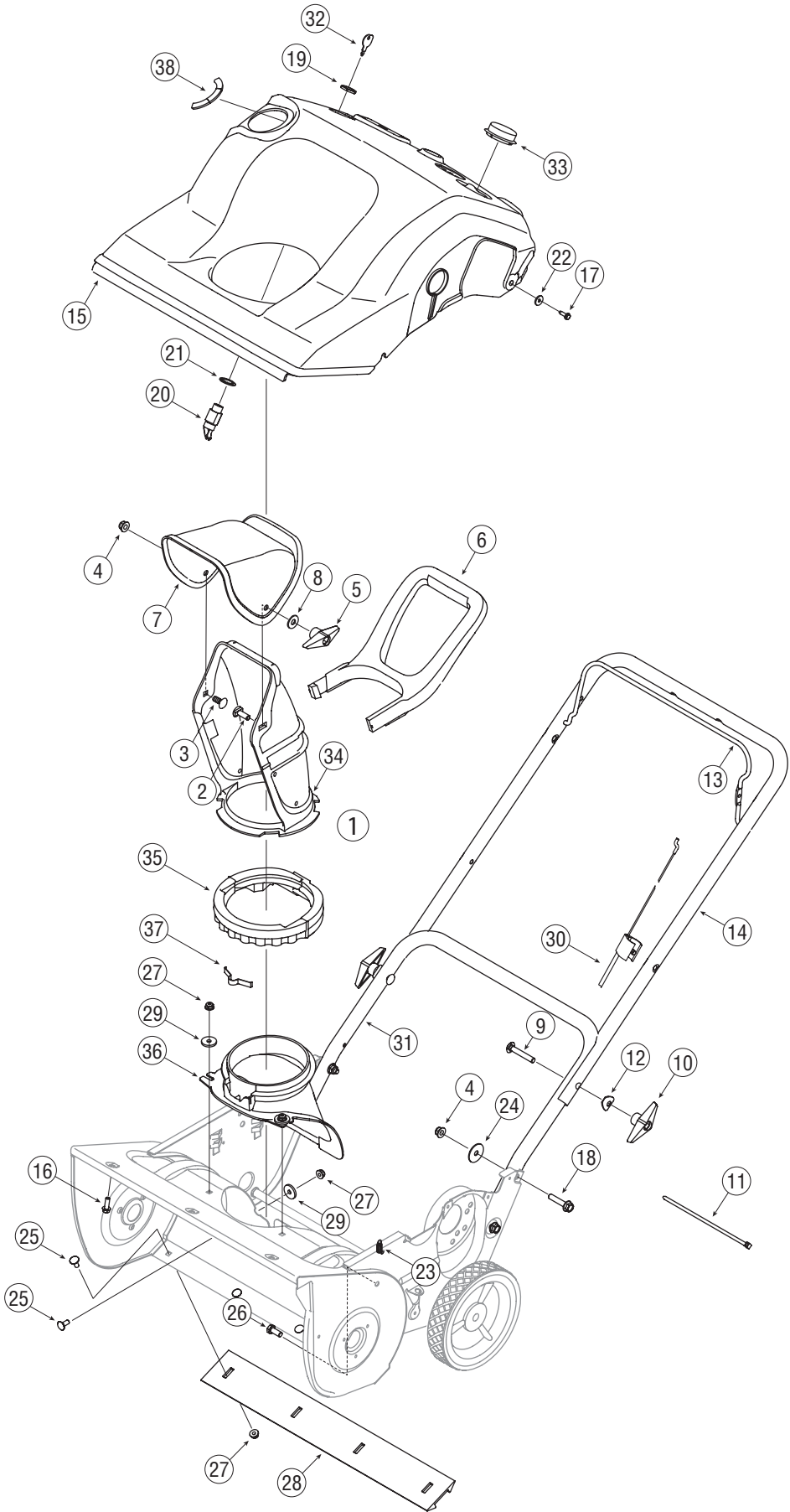


REF NO.	PART No.	DESCRIPTION	Qty.	REF NO.	PART No.	DESCRIPTION	Qty.
1	629-0236	Extension Cord	1	28	712-04064	Hex Flange Lock Nut, 1/4-20	1
2	710-0627	Hex Screw, 5/16-24 x .75	1	29	726-0299	Push Cap, 1/2"	2
6	710-1003	Screw, #10-16 x .625	2	30	732-0357A	Extension Spring	1
4	710-3025	Hex Screw, 5/16-18 x .625	4	31	736-0176	Flat Washer .265 x .938 x .120	4
5	712-04063	Hex Flange Lock Nut, 5/16-18	2	32	736-0326	Flat Washer .510 x 1.0 x .125	1
6	725-0157	Push Mount Cable Tie	1	33	736-0329	Lock Washer, 1/4	1
7	726-0154	Push Mount Cable Tie	1	34	741-0600	Ball Bearing 17 x 40 x 12	2
8	726-0205	Clamp, Hose	2	35	684-04168	Idler Pulley (Pulley hole 1/4")	1
9	736-0119	Washer, Lock 5/16	4	36	748-0234	Shoulder Spacer .25	1
10	736-0159	Flat Washer .349 x .879 x .063	1	37	712-0896	Hex Lock Nut 1/4-28	1
11	747-04150	Gas Tank Support Wire	1	38	784-5174	Bearing Cup	2
12	7511825510	Choke Lever Knob	1	39	790-00238A	Idler Brkt. w/Brake (Pulley hole 1/4")	1
13	751-0535	Hose, Fuel Line	18	40	790-00045	Belt Cover	1
14	751-10023	Tank, Fuel	1	41	756-0625	Cable Roller	1
15	751-10278	Cap, Fuel	1	42	735-04033	Rubber Paddle	2
16	754-0101A	V-Belt, 1/2	1	43	735-04032	Crescent Spiral	4
17	756-0416B	Pulley Half, .625 ID x 2.25 OD	2	44	684-04025A	Auger Axle	1
18	756-0475	Pulley, 1/2 V 1/2-20 LH x 6.0	1	45	7510009636	Recoil Handle, Mitten <i>(Optional)</i>	1
19	790-00225	2-Cycle Mounting Bracket	1	46	7512B1476	Primer	1
20	734-04070	Wheel, 7 x 1.61 Dia. Tread	2	47	738-0924	Carriage Screw 1/4-28	1
21	684-04027A	Auger Assembly Complete	1	48	684-04167	Auger Assembly Housing 21"	1
22	710-0106	Hex Screw, 1/4-20 x 1.00 Gr. 5	1	49	790-00238	Idler Brkt. w/ Brake (Pulley hole 3/8")	1
23	710-0642	Hex Screw 1/4-20 x .75 Gr. 5	1	50	756-0313	Idler Pulley (3/8" hole)	1
24	710-0653	Self-tapping Screw 1/4-20 x .375	1	51	710-0191	Hex Screw 3/8-24 x 1.25	1
25	710-0896	Hex Screw, 1/4-14 x 0.625"	24	52	712-0116	Jam Lock Nut 3/8--24	1
26	710-1005	Self-tapping Screw, 1/4-14 x .50"	6	53	7519630	Recoil Handle <i>(Optional)</i>	1
27	710-3008	Hex Screw 5/16-18 x .75	1	54	722-3022	Foam Tape .625 X.25	2

NOTES: For a proper working machine, use Factory Approved Parts. V-belts are designed to engage and disengage safely. A substitute (non OEM) V-belt can be dangerous by not disengaging completely.

NOTE: Snow thrower features/components vary by model. NOT all parts listed above and pictured on the previous page are standard equipment.



REF NO.	PART NUMBER	DESCRIPTION	Qty.
1	684-04127	Chute Assembly	1
2	710-04071	Carriage Bolt 5/16-18 x 1.0"	1
3	710-0451	Carriage Bolt 5/16-18 x 0.750"	1
4	712-04063	Flange Lock Nut, 5/16-18	6
5	720-0284	Chute Knob Assembly	1
6	731-04388A	Chute Handle	1
7	731-04426A	Upper Chute	1
8	736-0159	Washer	1
9	710-0487	Carriage Bolt 5/16-18 x 2.0 Gr. 1	2
10	720-0284	Handle Knob Assembly 5/16-18	2
11	725-0157	Cable Tie	1
12	736-0451	Saddle Washer .320 x .93	2
13	747-04165	Bail, Gull Wing	1
14	749-1092A	Upper Handle,	1
15	684-04044*	Shroud Assembly 2 Cyc. 4.5hp.	1
	684-04043**	Shroud Assembly 2 Cyc. 3.5hp.	1
16	710-04187	Screw, 1/4-15 x .50	3
17	710-1003	Self-tapping Screw, #10-16 x .625"	5
18	710-1882	Hex Flange Screw 5/16-18 x 1.50 Gr. 5	2
19	712-0252	Hex Nut 5/8-32 x .12 Special	1
20	725-2018	Key Switch-Electric Start	1
21	736-0225	Lock Washer Internal .625 x 1.058	1
22	736-0400	Flat Washer .194" x .62" x .063	5
23	732-0357A	Extension Spring	1
24	736-0362	Flat Washer .330 x 1.25 x .06	2
25	710-0134	Screw, 1/4-20 x .62	8
26	710-3008	Truss Machine Screw, 5/16-18 x .75	1
27	712-04064	Hex Flange Lock Nut, 1/4-20	9
28	731-1033	Shave Plate,19.88	1
29	736-0176	Flat Washer .265 x .938 x .120	4
30	746-04237	Control Cable	1
31	749-04114	Lower Handle	1
32	725-0201	Ignition Key	2
33	731-1133C	Spark Plug Cover	1
34	731-04127	Lower Chute 5" Dia	1
35	731-04353	Ring-Lower Chute	1
36	731-04886	Chute, Adapter 5" Dia	1
37	732-04111	Chute Adjustment Spring	1
38	731-0511	Strip Trim	3

* Model 230/S230, 250/S250, & 260/S260

**Model 240/S240

MODEL	DESCRIPTION
OEM-390-697	Electric Start Kit <i>(fits models with a two-cycle Tecumseh 3 HP or 3.5 HP engine)</i>
OEM-390-996	Electric Start Kit <i>(fits models with a two-cycle Tecumseh 4.5 HP – 5.5 HP engine)</i>
OEM-737-0325	MTD two-cycle snow thrower oil <i>(contains six 2.6 oz. bottles)</i>
753-0451	Shave Plate <i>(includes replacement shave plate and hardware)</i>
753-04472	Rubber Auger Kit, Snow Thrower Single Stage