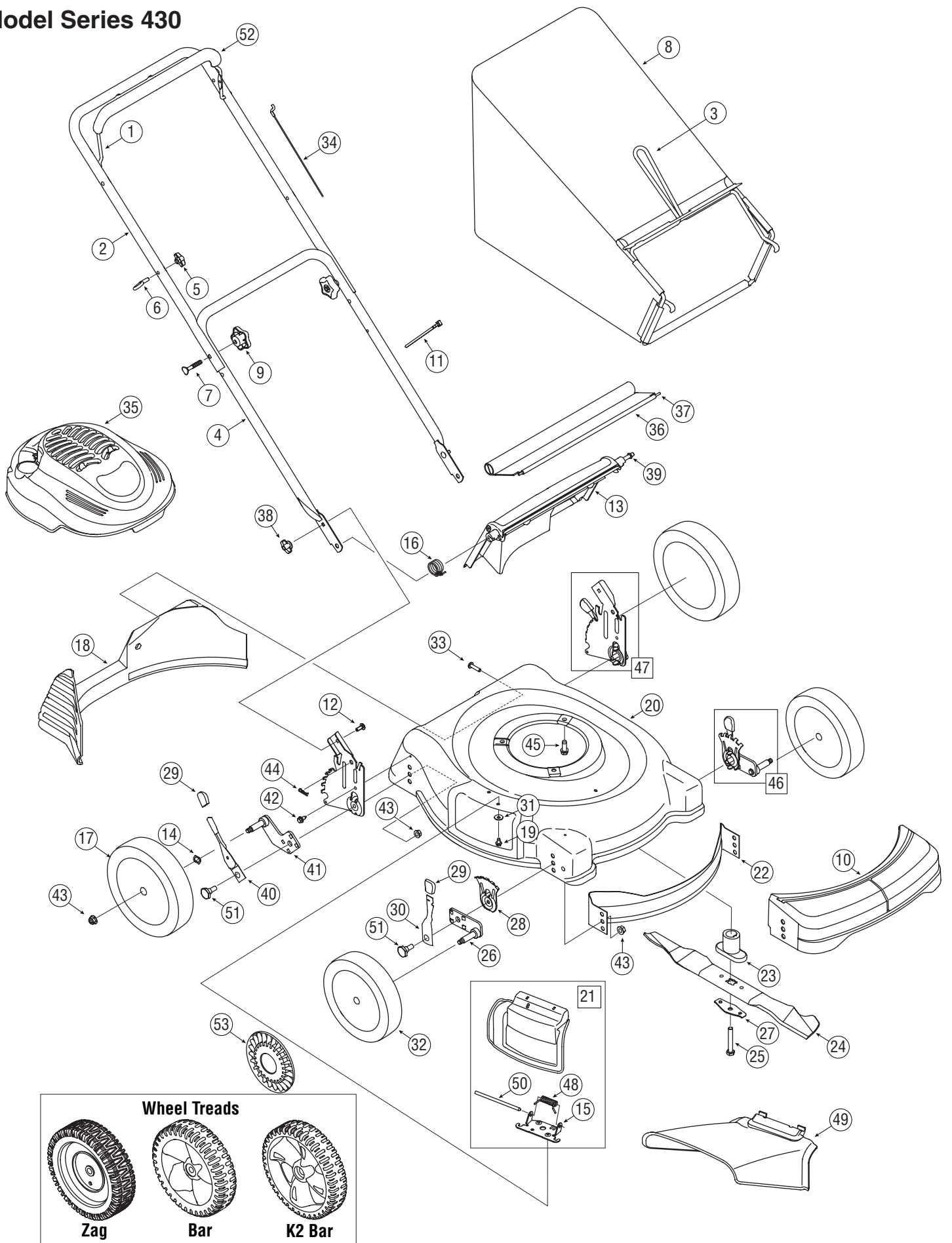


Model Series 430



8

Parts List



Ref. No.	Part No.	Description
1	747-1161A	Blade Control Handle
2	749-1092A	Upper Handle
3	747-04080	Grass Catcher Frame
4	749-0928A	Lower Handle
5	720-0279	Wing Nut
6	710-1205	Rope Guide
7	710-1174	Carriage Bolt ,5/16-18 x 2
8	664-04027	Grass Bag - Yardman
	664-04034A	Grass Bag - Gray
9	720-04072	Hand Knob
10	731-1506A†	Front Cover
11	726-0240	Cable Tie
12	710-0703	Carriage Bolt ,1/4-20
13	631-04225	Rear Discharge Door
14	736-0504†	Wave Washer
15	17032A	Deflector Chute Adaptor
16	732-04090A	Torsion Spring - RH
17	734-04215	Rear Wheel, 8 x 1.8, K2 Bar
	734-2004A	Rear Wheel, 8 x 2.125, Zag
	734-1987	Rear Wheel, 8 x 1.8, Bar
18	731-04150C	Rear Baffle
19	710-0599	Screw, 1/4-20 x .500
20	787-01279	Deck - 21"
21	687-02055	Hinged Mulch Plug Assembly
22	782-5002B	Front Baffle
23	748-04082	Blade Adapter, 25mm x 2.15
	748-0377C	Blade Adapter, #6 x 2.15
24	742-0741	Mulching Blade
25	710-1257	Hex Screw , 3/8-24 x 2.5
26	687-02076A	Pivot Arm Assy RH (7" wheel)
	687-02077A*	Pivot Arm Assy LH (7" wheel)
	687-02077A	Pivot Arm Assy RH (8" wheel)
	687-02076A*	Pivot Arm Assy LH (8" wheel)
27	736-0524B	Blade Bell Support

Ref. No.	Part No.	Description
28	787-01290	Front Adjustment Plate
29	720-0426	Adjustment Lever Knob
30	732-0404	Spring Lever Assembly
31	736-0270	Bell Washer
32	734-04213	Front Wheel, 7 x 1.8, K2 Bar
	734-2004A	Front Wheel, 8 x 2.125, Zag
	734-1988	Front Wheel, 7 x 1.8, Bar
33	710-1241	Screw, 1/4-15 x 1.000
34	746-1130	Control Cable 40"
	746-1137	Control Cable 53"
35	731-04525†	Engine Shroud
36	731-05642	Trailshield
37	732-0700	Trailshield Wire
38	712-0397	Wing Nut, 1/4-20
39	747-04587	Rear Door Pivot Rod
40	732-04175	Spring Lever
41	687-02071A	Pivot Arm Assembly - RH
	687-02070A*	Pivot Arm Assembly - LH
42	710-1652	AB Screw
43	712-04065	Flange Lock Nut, 3/8-16
44	714-0104	Hairpin Clip
45	710-0654A	TT Sems Screw, 3/8-16 x 1.0
46	687-02099A	Ht. Adj. Assy. Front LH (7" wheel)
	687-02100A*	Ht. Adj. Assy. Front RH (7" wheel)
	687-02075A	Ht. Adj. Assy. Front LH (8" wheel)
	687-02074A*	Ht. Adj. Assy. Front RH (8" wheel)
47	687-02270	Rear Handle Bracket Assy. - LH
	687-02271*	Rear Handle Bracket Assy. - RH
48	732-1014	Torsion Spring
49	731-04177	Side Chute
50	747-0710	Hinge Pin
51	738-0507B	Shoulder Screw
52	731-04859†	Bail Cover
53	731-0981A†	Hub Cap

† If Equipped

* Not Shown

This Operators Manual may cover a range of product specifications for various models. Characteristics and features discussed and/or illustrated in this manual may not be applicable to all models.