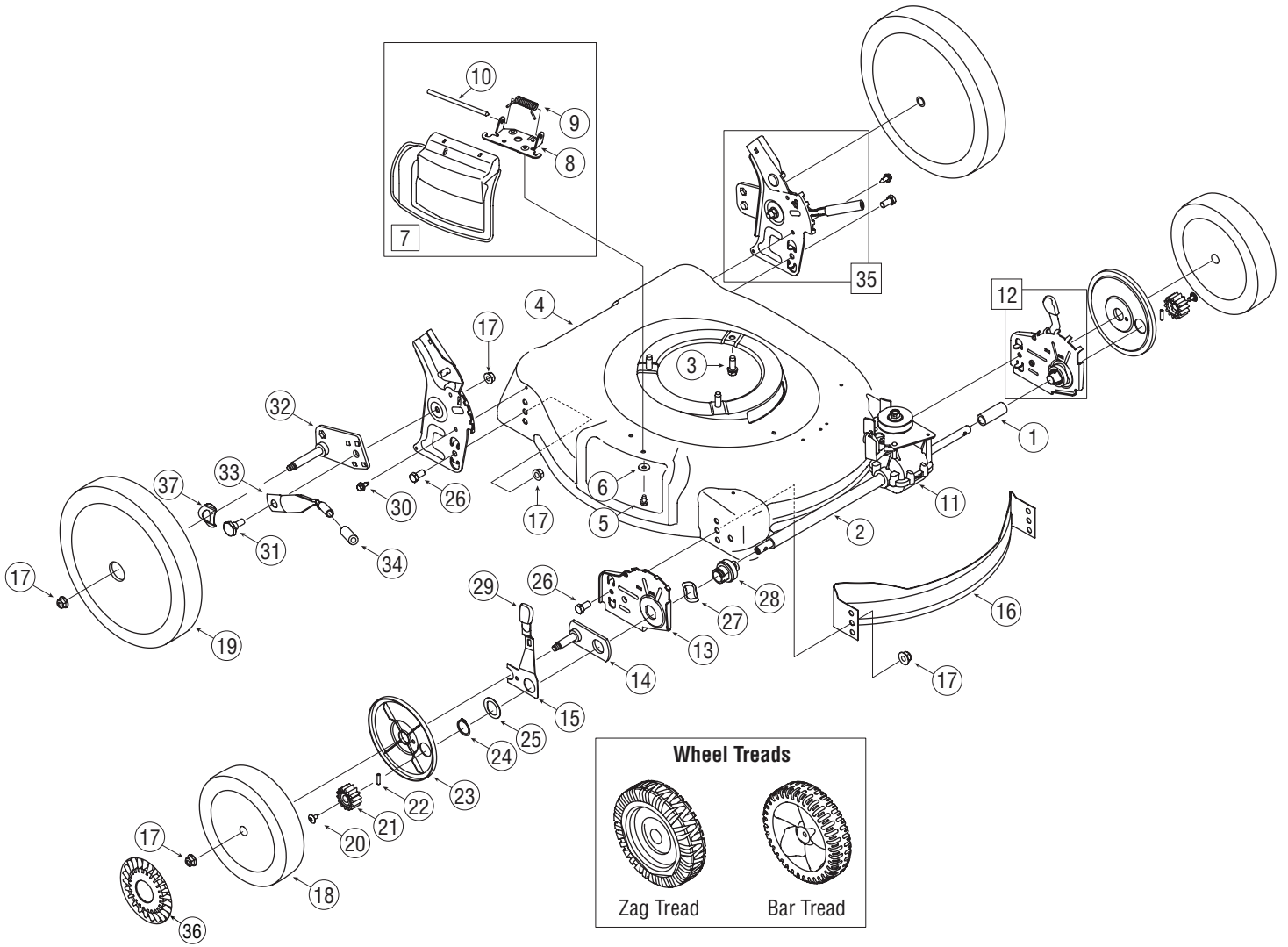


Model Series V560



8

Parts List

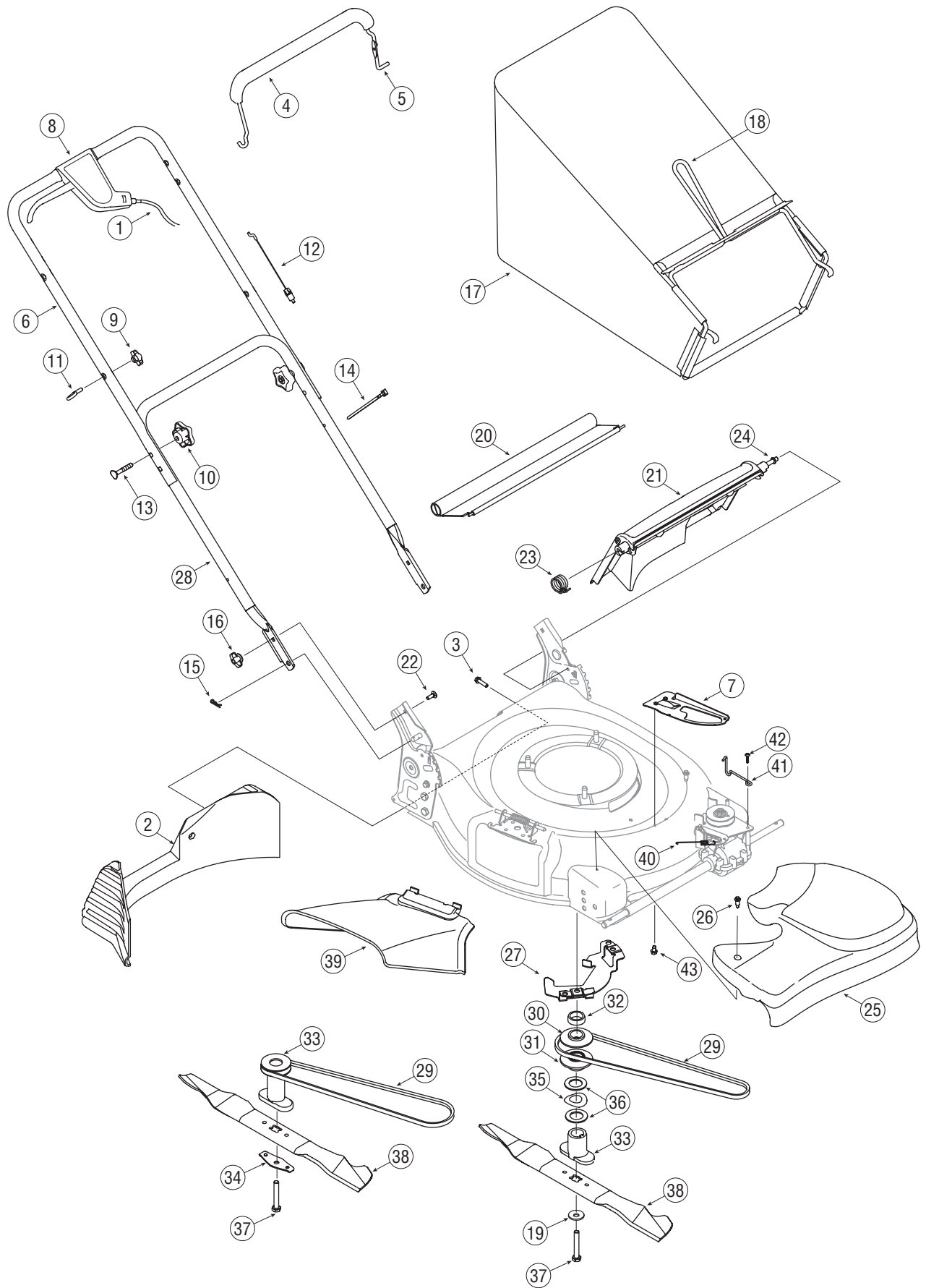


Ref.	Part No.	Description
1	750-04405	Slev. Spacer 1.8" Lg.
2	750-04404	Sleeve Spacer 9.10" Lg.
3	710-0654A	Self-Tapping Sems Screw
4	787-01278	21" Deck 3 in 1 SP
5	710-0599	TT Screw 1/4-20 x 0.5
6	736-0270	Bell Washer
7	687-02055	Hinged Mulch Plug Assembly
8	17032A	Chute Deflector Adapter
9	732-1014	Torsion Spring
10	747-0710	Hinge Pin
11	618-04377A	Transmission Assembly
12	687-02193	Height Adj. Assembly - LH
	687-02194	Height Adj. Assembly - RH
13	787-01298	Front Height Adj. Plate - RH
	787-01299	Front Height Adj. Plate - LH
14	687-02044	Pivot Plate Assembly
15	732-0706	Front Lever - RH
	732-0707	Front Lever - LH
16	782-5002B	Front Baffle
17	712-04065	Flange Lock Nut, 3/8-16
18	734-2042	Front Wheel, 8 x 2.125, Zag
	634-0190	Front Wheel, 8 x 1.8, Bar
19	734-04093	Rear Wheel, 12 x 2.125, Zag

Ref.	Part No.	Description
	734-04082	Rear Wheel, 12 x 1.8, Bar
20	710-04531	Screw 1/4-20 x .390
21	717-1762	Gear 14T RH FWD RH
	717-1761	Gear 14T LH FWD LH
22	715-0221	Dowel Pin
23	782-7551A	Wheel Dust Cap
24	716-0102	Snap Ring
25	736-0474	Flat Washer
26	710-0216	Hex Screw, 3/8-16 x.75
27	736-0447	Wave Washer
28	682-0015	Bearing Assembly
29	720-0426	Adjustment Knob
30	710-1652	TT Scr. w/Washer 1/4-20 x.625
31	738-0507B	Shoulder Scr.500 Dia. x.434
32	687-02039A	Pivot Arm Assembly - RH
	687-02040A	Pivot Arm Assembly - LH
33	732-0866	Rear Spring Lever
34	720-0312	Foam Grip
35	687-02280	Handle Bracket Assembly - LH
	687-02279	Handle Bracket Assembly - RH
36	731-0981A†	Hub Cap
37	736-0182†	Washer, Sprg, .500 x 1.00 x .022

† If Equipped

Model Series V560



8

Parts List



Ref.	Part No.	Description
1	746-04206A	Variable Speed Cable
2	731-04150C	Rear Baffle 21" Rd.
3	710-1241	Screw 1/4-15 x 1.000
4	731-04859‡	Deluxe Bail Cover
5	747-1161A	Blade Control
6	749-04206	Upper Handle
7	787-01258A	Cable Mount Bracket
8	753-05096A	Control Lever Assembly
9	720-0279	Handle Knob
10	720-04072	Star Knob
11	710-1205	Eye Bolt
12	746-0957	Control Cable - 37.25"
	746-1113	Control Cable - 37.75"
	746-1130	Control Cable - 40"
	746-1132	Control Cable - 40.75"
13	710-1174	Carriage Bolt 5/16-18 x 2.0
14	726-0240	Cable Tie
15	714-0104	Cotter Pin
16	712-0397	Wing Nut
17	664-04034A	Grassbag Assembly
18	747-04080	Grass Bag Frame
19	736-0452†	Wash., Bell, .396 x 1.140 x .095
20	731-05642	Rear Trailing Shield
21	731-05865	Rear Discharge Door

Ref.	Part No.	Description
22	710-0703	Carriage Bolt 1/4-20
23	732-04090A	Torsion Spring - RH
24	747-04588	Pivot Rod
25	731-05250	Transmission Cover (Gray)
	731-05020A	Transmission Cover (Black)
26	710-1650	Shoulder Screw # 12 -24
27	787-01265A	Belt Keeper Bracket
28	749-0928A	Lower Handle
29	754-04082A	V-Belt
30	756-04161†	Upper Pulley Half 25mm x 2.62
31	756-04160†	Lower Pulley Half 25mm x 2.62
32	750-04438A†	Slv Spacer 25mm x 1.375 x .62
33	748-04082†	Blade Adapter
	748-04015A††	One Piece Blade Adapter
34	736-0524B††	Blade Bell Support
35	736-0447†	Space Washer
36	736-0277†	Flat Washer
37	710-1257	Hex Screw 3/8-24 x 2.50
38	742-0741	21" Mulching Blade
39	731-04177	Side Discharge Chute
40	732-04317	Extension Spring
41	732-04294	Belt Keeper Wire
42	710-04329	Torx Screw
43	710-0896	Scr., 1/4-14 x.625

† Honda Engine

†† Briggs & Stratton Engine

‡ If Equipped



IMPORTANT

For a proper working machine, use Factory Approved Parts.

V-BELTS are specially designed to engage and disengage safely. A substitute (non OEM) V-Belt can be dangerous by not disengaging completely.