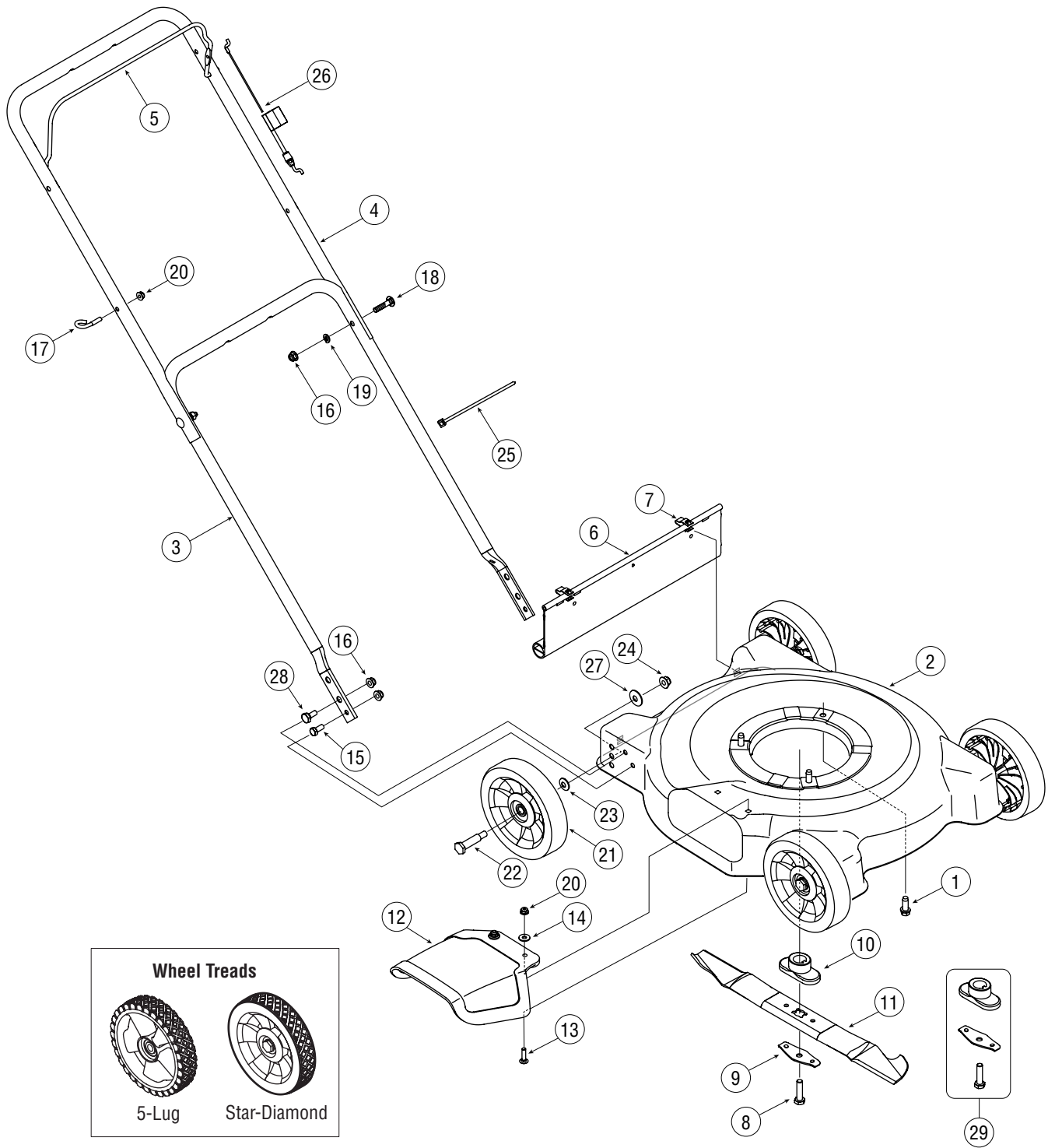


Model Series 020



Ref. No.	Part No.	Part Description
1	710-0654A	Hex Ind. Washer Screw 3/8-16 x 1.0
2	782-0048	Cutting Deck: 20"
3	749-04037	Lower Handle
4	749-1092A	Upper Handle
5	747-1161A	Control Handle (Bail)
6	731-0872B	Rear Flap
7	17098	Hinge Clip
8	710-1044	Screw 3/8-24 x 1.5" Group 8
9	736-0524B	Blade Bell Support
10	748-0376C	Blade Adapter
11	742-0640	Cutting Blade
12	731-0064	Discharge Chute
13	710-0932	Carriage Screw 1/4-20 x 1.0"
14	736-0173	Flat Washer
15	710-3008	Hex Screw 5/16-18 x .75"
16	712-04063	Flange Lock Nut 5/16-18
17	710-1205	Eye Bolt
18	710-0262	Carriage Bolt 5/16-18 x 1.5"
19	736-0119	Lock Washer
20	712-04064	Flange Lock Nut 1/4-20
21	734-1779	Wheel, 7" Star-Dia., White
	734-04063	Wheel, 7" Star-Dia., Oys. Gray
	734-04204A	Wheel, 7" 5-Lug Dia., Gray
22	738-0533	Shoulder Screw .498 x 1.635
23	736-0105	Bell Washer
24	712-04065	Flange Lock Nut 3/8-16
25	726-0157	Cable Tie
26	746-0946	Control Cable - 48.25"
	746-0957	Control Cable - 37.25"
27	736-0331	Bell Washer
28	738-04033	Shoulder Screw, 5/16-18 x.428"
29	753-0588	Blade Adapter Kit (Incl. Ref. 8-10)