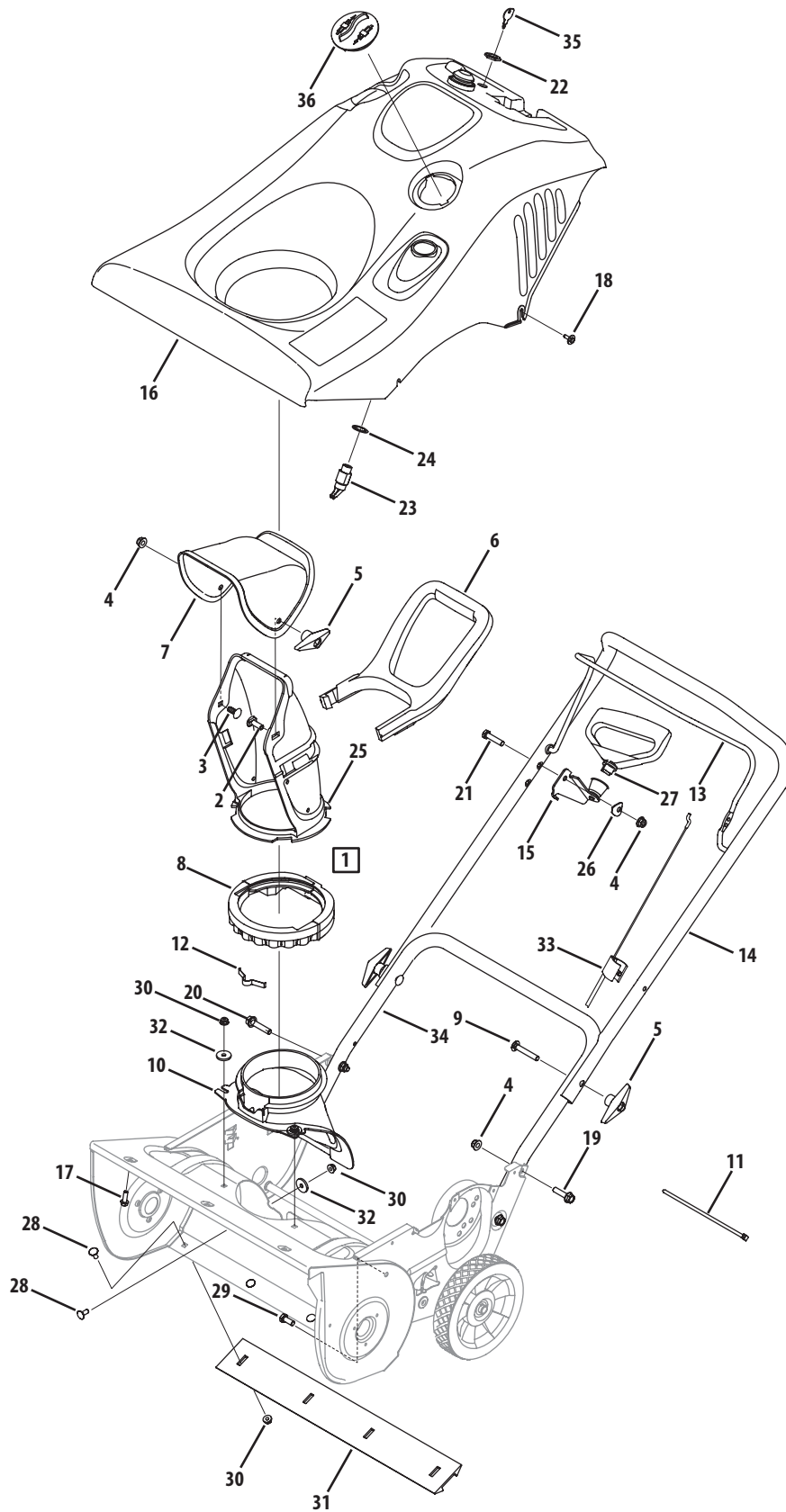


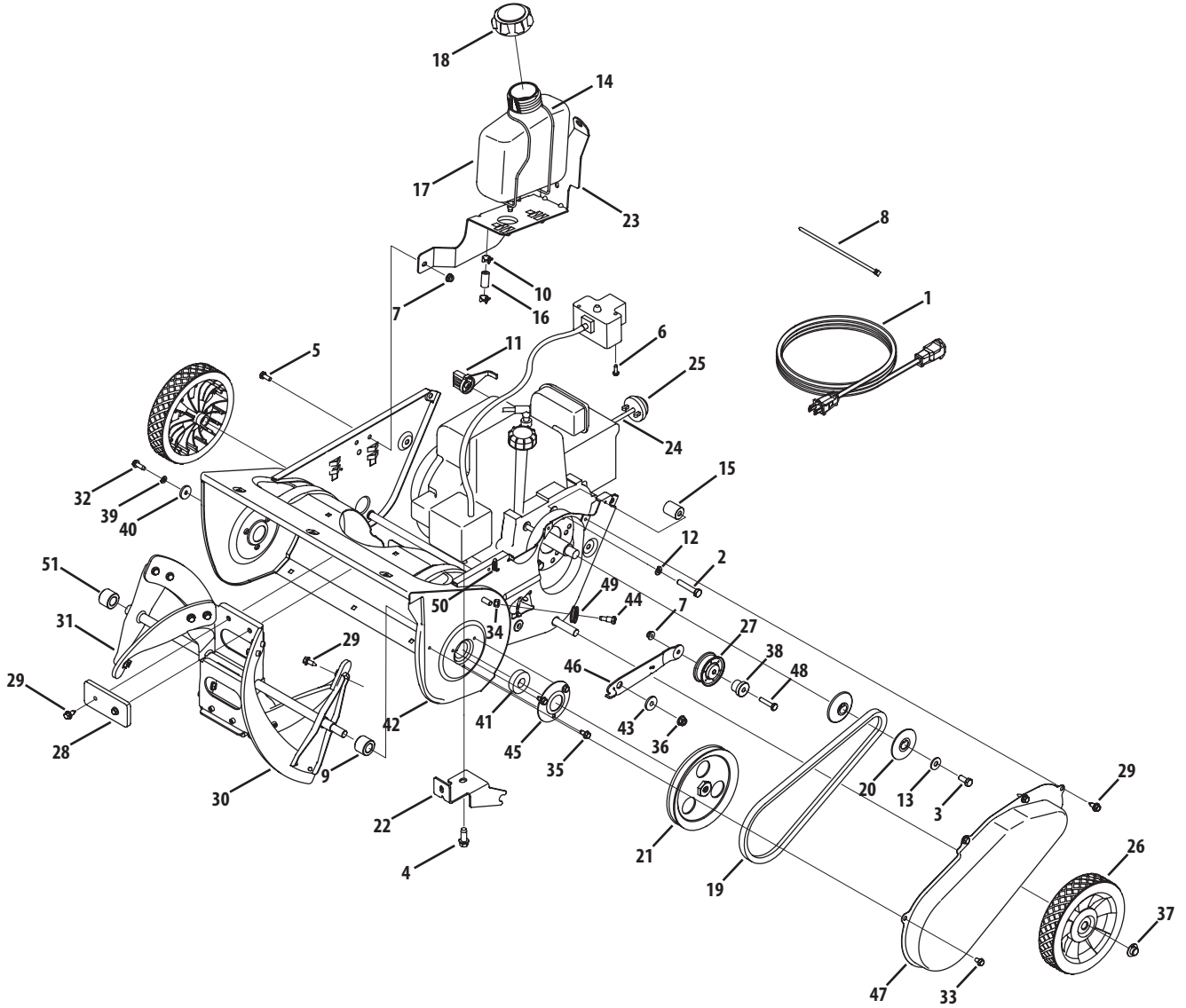
# Model 2B5 - Chute & Handle



## Model 2B5 - Chute & Handle

Ref No.	Part Number	Description
1	684-04127	Chute Assembly (Incl. Ref. 37-41)
2	710-04071	Carriage Bolt 5/16-18 x 1.0"
3	710-0451	Carriage Bolt 5/16-18 x 0.750"
4	712-04063	Flange Lock Nut, 5/16-18
5	720-0284	Wing Knob
6	731-04388A	Chute Handle
7	731-04426A	Upper Chute
8	731-04353	Ring-Lower Chute
9	710-04532	Carriage Bolt 5/16-18 x 2.0 Gr. 5
10	731-04886	Chute, Adapter 5" Dia
11	725-0157	Cable Tie
12	732-04111	Chute Adjustment Spring
13	747-04159A	Bail, Gull Wing
14	749-04106	Upper Handle, Gull Wing
15	684-0178	Mitten Grip Bracket
16	684-04211	Shroud Assembly, Gray (Incl. Spark Plug Cover)
	684-04029	Shroud Assembly, Black (Incl. Spark Plug Cover)
17	710-0895	Screw, 1/4-15 x .75
18	710-04669	Screw, #10-16 x .625"
19	710-1090	Hex Flange Screw, 5/16-18 x 1.25
20	710-1882	Hex Flange Screw 5/16-18 x 1.50
21	710-0805	Hex Screw, 5/16-18 x 1.5
22	712-0252	Hex Nut 5/8-32 x .12 Special
23	725-2018	Key Switch-Electric Start
24	736-0225	Lock Washer Internal .625 x 1.058
25	731-04127	Lower Chute 5" Dia.
26	736-0451	Saddle Washer .320 x .93
27	7510009636	Recoil Handle, Mitten
28	710-0134	Screw, 1/4-20 x .62
29	710-3008	Truss Machine Screw, 5/16-18 x .75
30	712-04064	Hex Flange Lock Nut, 1/4-20
31	731-1033	Shave Plate, 19.88
32	736-0176	Flat Washer .265 x .938 x .120
33	746-04237	Control Cable
34	749-04114	Lower Handle
35	725-0201	Ignition Key
36	684-04210	Spark Plug Cover, Gray
	684-0189	Spark Plug Cover, Black

# Model 2B5 - Auger & Drive System



## Model 2B5 - Auger & Drive System

Ref No.	Part Number	Description
1	629-0071	Extension Cord
2	710-0409	Hex Screw, 5/16-24 x 1.75
3	710-0627	Hex Screw, 5/16-24 x .75
4	710-0654A	Self Tapping Screw, 3/8-16 x 1
5	710-0751	Hex Screw, 1/4-20 x .62
6	710-1003	Screw, #10-16 x .625
7	712-04064	Hex Flange Lock Nut, 1/4-20
8	726-0154	Push Mount Cable Tie
9	750-04757	Spacer, Auger - LH
10	726-0205	Clamp, Hose
11	731-2825	Knob, Choke
12	736-0119	Washer, Lock 5/16
13	736-0242	Flat Washer .340 x .872 x .060
14	747-04236	Gas Tank Support Wire
15	750-04297B	Spacer, Engine
16	751-0535	Hose, Fuel Line
17	751-10023	Tank, Fuel
18	751-10487	Cap, Fuel
19	754-0101A	V-Belt, 1/2
20	756-0416B	Pulley Half, .625 ID x 2.25 OD
21	756-04232	Pulley, 1/2 x 6.0 OD
22	790-00216	Bracket, Engine
23	790-00134	Bracket Support Gas Tank
24	7511152847	Primer Hose Line
25	7512B1476	Primer
26	734-04063	Wheel

Ref No.	Part Number	Description
27	684-04168	Idler Pulley (1/4" hole)
28	735-04033	Rubber Paddle
29	710-0896	Hex Screw, 1/4-20 x .62
30	735-04032	Crescent Spiral
31	984-04027A	Auger Assembly
32	710-0642	Hex Screw 1/4-20 x .75 Gr. 5
33	710-0653	Self-tapping Screw 1/4-20 x .375
34	712-0896	Hex Lock Nut 1/4-28
35	710-1005	Screw, 1/4-14 x .500"
36	712-04063	Hex Flange Lock Nut, 5/16-18
37	726-0299	Push Cap, 1/2"
38	750-04571	Shoulder Spacer .260 x .785 x .538
39	736-0329	Lock Washer, 1/4
40	736-0176	Flat Washer .265 x .938 x .120
41	741-04188A	Ball Bearing .625 x 37 x 12
42	684-04227	Auger Assembly Housing
43	748-0234	Shoulder Spacer .25
44	738-0924A	Carriage Screw 1/4-28
45	790-00249	Bearing Cup
46	790-00238A	Idler Brkt. w/ brake
47	790-00045A	Belt Cover
48	710-0106	Hex Screw, 1/4-20 x 1.00 Gr. 5
49	756-0625	Cable Roller
50	732-0357A	Extension Spring
51	750-04758	Spacer, Auger - RH

NOTE: For a proper working machine, use Factory Approved Parts. V-belts are designed to engage and disengage safely. A substitute (non OEM) V-belt can be dangerous by not disengaging completely.