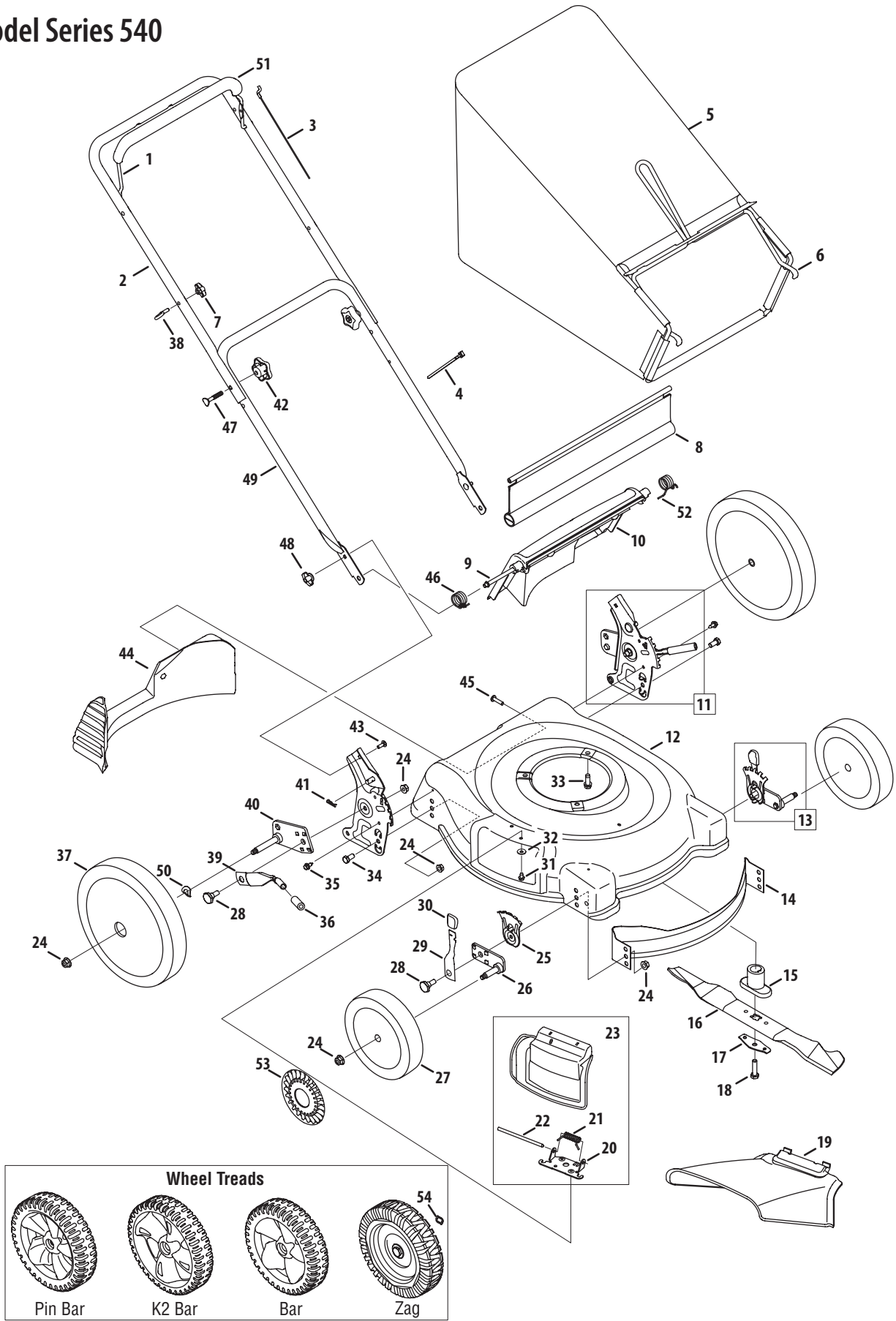


Model Series 540



HONDA ENGINE GCV160LAS3A

Ref No.	Part Number	Description
1.	747-1161A	Blade Control
2.	749-1092A	Upper Handle
3.	746-0957	Control Cable, 37.25"
	746-1130	Control Cable, 40"
	746-04104	Control Cable, 40", Snap-On, Kaw
4.	726-0240	Cable Tie
5.	664-04027	Grass Bag Assembly
6.	747-04080A	Grass Bag Frame
7.	720-0279	Handle Knob
8.	731-05642	Trailshield
9.	747-04588	Pivot Rod
10.	731-05865	Rear Discharge Door
11.	687-02280A	Rear Handle Bracket Assy. - LH
	687-02279A	Rear Handle Bracket Assy. - RH
12.	787-01279	Deck 21-inch
13.	687-02075B	Front Hgt. Adj. Assy., 8" Whl. - LH
	687-02074B	Front Hgt. Adj. Assy., 8" Whl. - RH
	687-02099B	Front Hgt. Adj. Assy., 7" Whl. - LH
	687-02100B	Front Hgt. Adj. Assy., 7" Whl. - RH
14.	782-5002B	Front Baffle
15.	748-0377C	Blade Adapter w/Star
	748-04082	Blade Adapter - 25mm
16.	742-0741	21-inch Mulching Blade
17.	736-0524B	Bell Blade Support
18.	710-1257	Hex Screw, 3/8-24 x 2.5
19.	731-04177	Side Discharge Chute
20.	17032A	Deflector Chute Adaptor
21.	732-1014	Torsion Spring
22.	747-0710	Hinge Pin
23.	687-02055	Mulch Plug Assembly
24.	712-04065	Flange Lock Nut 3/8-16
25.	787-01290	Height Adjustment Plate
26.	687-02337	Pivot Arm Assy LH (7" wheel)
	687-02338	Pivot Arm Assy RH (7" wheel)
	687-02337	Pivot Arm Assy RH (8" wheel)
	687-02338	Pivot Arm Assy LH (8" wheel)
27.	734-04215	Front Wheel, 8 x 1.8, K2 Bar

Ref No.	Part Number	Description
	734-1988	Front Wheel, 7 x 1.8, Bar
	734-1987	Front Wheel, 8 x 1.8, Bar
	734-2005A	Front Wheel, 8 x 2.125, Zag
	734-04087	Front Wheel, 8 x 1.8, Pin Bar
28.	738-04266	Shoulder Scr., .5D x .385
29.	732-0404	Front Spring Lever
30.	720-0426	Height Adjust Knob
31.	710-0599	TT Screw, 1/4-20 x .500
32.	736-0270	Bell Washer
33.	710-0654A	TT Screw, 3/8-16 x 1.0
34.	710-0216	Hex Screw, 3/8-16 x .75
35.	710-1652	TT Screw, 1/4-20 x .625
36.	720-0312	Foam Grip
37.	734-04217	Rear Wheel, 12 x 1.8, K2 Bar
	734-04082	Rear Wheel, 12 x 1.8, Bar
	734-04093	Rear Wheel, 12 x 2.125, Zag
	734-04089	Rear Wheel, 12 x 1.8, Pin Bar
38.	710-1205	Eye Bolt
39.	732-0866	Rear Hi-Wheel Spring Lever
40.	687-02335	Rear Pivot Arm Assy - RH
	687-02336	Rear Pivot Arm Assy - LH
41.	714-0104	Hairpin Clip
42.	720-04072	Star Knob
43.	710-0703	Carriage Bolt, 1/4-20 x .75
44.	731-04150C	Rear Baffle
45.	710-1241	Screw HL, 1/4-15 x 1.00
46.	732-04090A	Torsion Spring - RH
47.	710-1174	Carriage Bolt, 5/16-18 x 2
48.	712-0397	Wing Nut
49.	749-0928A	Lower Handle
50.	736-0182†	Spring Washer
51.	731-2626†	Deluxe Bail Cover
	731-04204†	Deluxe Bail Cover - Red
	731-04859†	Deluxe Bail Cover - Gray
52.	732-04089A	Torsion Spring - LH
53.	731-0981A†	Hub Cap
54.	736-0504†	Wave Washer, .510 x .750 x .017

† If Equipped

NOTE: Mower features/components vary by model. NOT all parts listed above and pictured on the previous page are standard equipment.