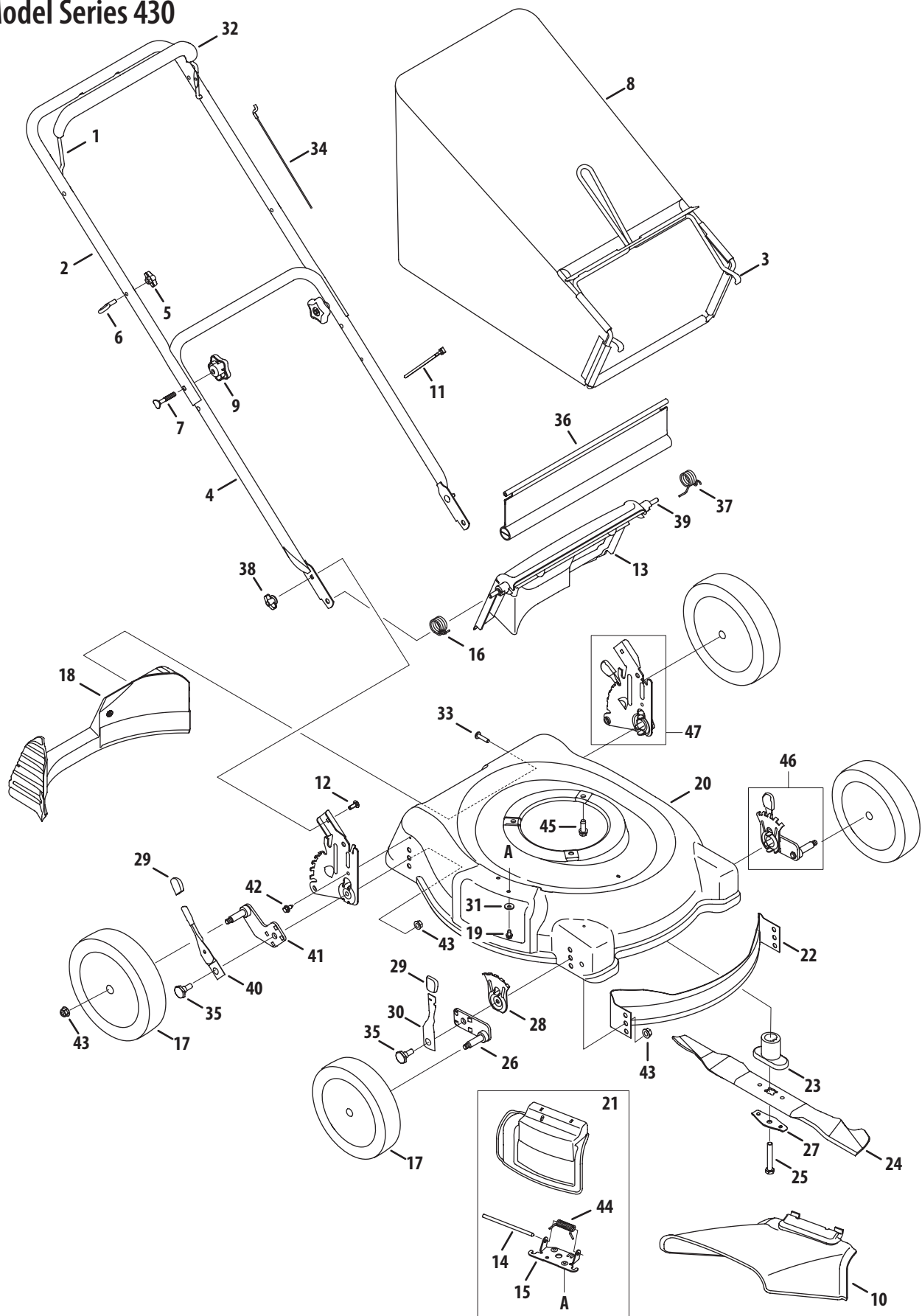


# Model Series 430



## Model Series 430

Ref No.	Part Number	Description
1	747-1161A	Blade Control Handle
2	749-1092A	Upper Handle
3	747-04080A	Grass Catcher Frame
4	749-0928A	Lower Handle
5	720-0279	Wing Nut
6	710-1205	Rope Guide
7	710-1174	Carriage Bolt ,5/16-18 x 2
8	664-04011	Grass Bag
9	720-04072	Hand Knob
10	731-04177	Side Chute
11	726-0240	Cable Tie
12	710-0703	Carriage Bolt ,1/4-20
13	731-05865	Rear Discharge Door
14	747-0710	Hinge Pin
15	17032A	Deflector Chute Adaptor
16	732-04090A	Torsion Spring - RH
17	734-04014B	Wheel
18	731-04150C	Rear Baffle
19	710-0599	Screw, 1/4-20 x .500
20	787-01279	Deck - 21"
21	687-02055	Hinged Mulch Plug Assembly
22	782-5002B	Front Baffle
23	748-04082	Blade Adapter, 25mm x 2.15
	748-0377C†	Blade Adapter, #6 x 2.15
24	742-0741	Mulching Blade
25	710-1257	Hex Screw , 3/8-24 x 2.5

Ref No.	Part Number	Description
26	687-02337	Pivot Arm Assy RH (8" wheel)
	687-02338	Pivot Arm Assy LH (8" wheel)
27	736-0524B	Blade Bell Support
28	787-01290	Front Adjustment Plate
29	720-0426	Adjustment Lever Knob
30	732-0404	Spring Lever Assembly
31	736-0270	Bell Washer
32	731-04204†	Bail Cover
33	710-1241	Screw, 1/4-15 x 1.000
34	746-1130	Control Cable 40"
35	738-04266	Shoulder Screw
36	731-05642	Trailshield
37	732-04089A	Torsion Spring - LH
38	712-0397	Wing Nut, 1/4-20
39	747-04587	Rear Door Pivot Rod
40	732-04175	Spring Lever
41	687-02333	Pivot Arm Assembly - RH
	687-02332	Pivot Arm Assembly - LH
42	710-1652	AB Screw
43	712-04065	Flange Lock Nut, 3/8-16
44	732-1014	Torsion Spring
45	710-0654A	TT Sems Screw, 3/8-16 x 1.0
46	687-02075B	Ht. Adj. Assy. Front LH (8" wheel)
	687-02074B	Ht. Adj. Assy. Front RH (8" wheel)
47	687-02270A	Rear Handle Bracket Assy. - LH
	687-02271A	Rear Handle Bracket Assy. - RH

† If Equipped