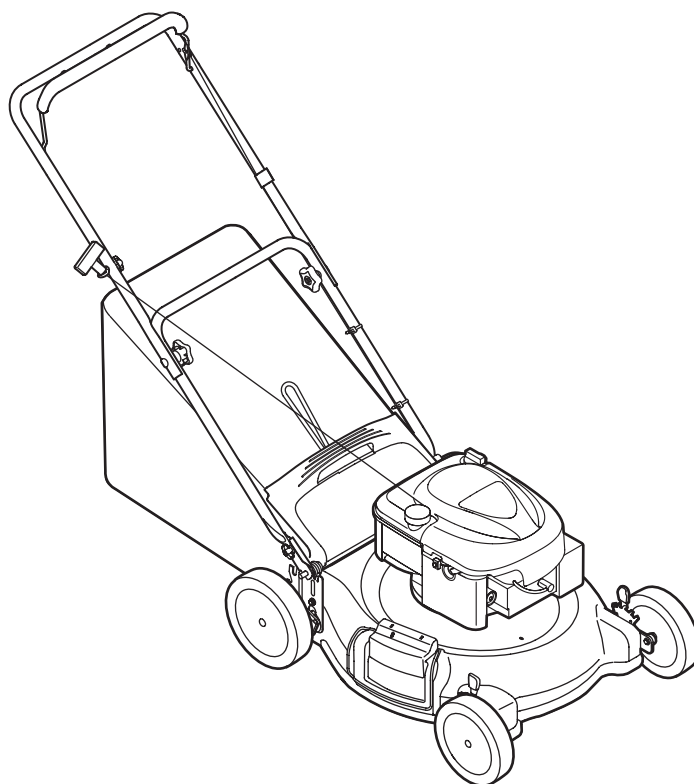


OPERATOR'S MANUAL



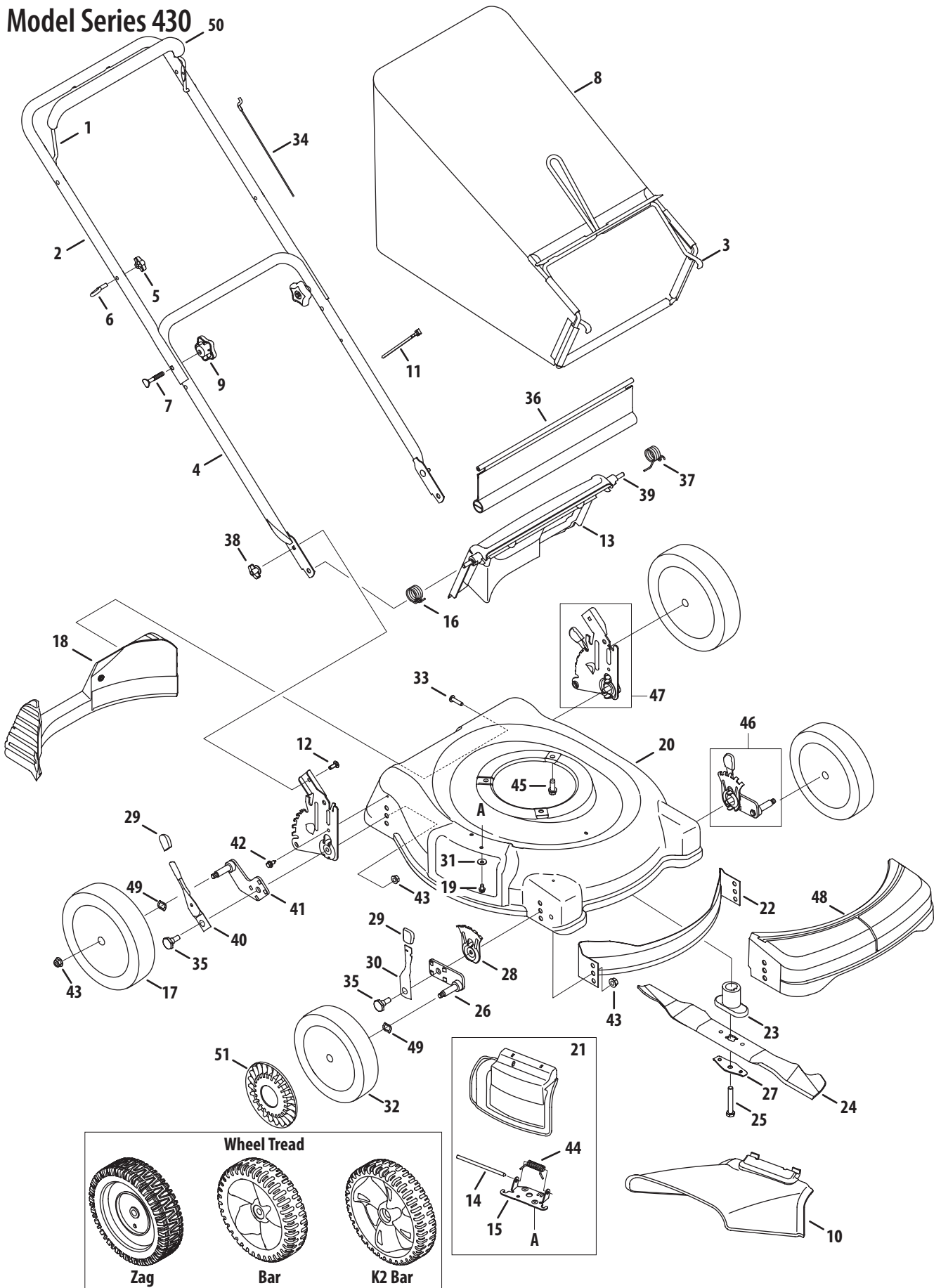
Push Mower — Model Series 430

WARNING

**READ AND FOLLOW ALL SAFETY RULES AND INSTRUCTIONS IN THIS MANUAL
BEFORE ATTEMPTING TO OPERATE THIS MACHINE.
FAILURE TO COMPLY WITH THESE INSTRUCTIONS MAY RESULT IN PERSONAL INJURY.**

MTD LLC, P.O. BOX 361131 CLEVELAND, OHIO 44136-0019

Model Series 430 ⁵⁰



Ref No.	Part Number	Description
1	747-1161A	Blade Control Handle
2	749-1092A	Upper Handle
3	747-04080A	Grass Catcher Frame
4	749-0928A	Lower Handle
5	720-0279	Wing Nut
6	710-1205	Rope Guide
7	710-1174	Carriage Bolt ,5/16-18 x 2
8	664-04007A	Grass Bag - Black
	664-04027	Grass Bag - Yardman
	664-04034A	Grass Bag - Gray
9	720-04072	Hand Knob
10	731-04177	Side Chute
11	726-0240	Cable Tie
12	710-0703	Carriage Bolt ,1/4-20
13	731-05865	Rear Discharge Door
14	747-0710	Hinge Pin
15	17032A	Deflector Chute Adaptor
16	732-04090A	Torsion Spring - RH
17	734-04215	Rear Wheel, 8 x 1.8, K2 Bar
	734-2005A	Rear Wheel, 8 x 2.125, Zag
	734-1987	Rear Wheel, 8 x 1.8, Bar
	734-2004A	Rear Wheel, 8 x 2.125, Zag, BB
18	731-04150C	Rear Baffle
19	710-0599	Screw, 1/4-20 x .500
20	787-01279	Deck - 21"
21	687-02055	Hinged Mulch Plug Assembly
22	782-5002B	Front Baffle
23	748-0377C	Blade Adapter, #6 x 2.15
	748-04082	Blade Adapter, 25mm x 2.15
24	742-0741	Mulching Blade
25	710-1257	Hex Screw , 3/8-24 x 2.5
26	687-02338	Pivot Arm Assy RH (7" wheel)
	687-02337	Pivot Arm Assy LH (7" wheel)
	687-02337	Pivot Arm Assy RH (8" wheel)
	687-02338	Pivot Arm Assy LH (8" wheel)

Ref No.	Part Number	Description
27	736-0524B	Blade Bell Support
28	787-01290	Front Adjustment Plate
29	720-0426	Adjustment Lever Knob
30	732-0404	Spring Lever Assembly
31	736-0270	Bell Washer
32	734-04213	Front Wheel, 7 x 1.8, K2 Bar
	734-2005A	Front Wheel, 8 x 2.125, Zag
	734-1988	Front Wheel, 7 x 1.8, Bar
	734-2004A	Front Wheel, 8 x 2.125, Zag, BB
33	710-1241	Screw, 1/4-15 x 1.000
34	746-1130	Control Cable 40"
	746-1137	Control Cable 53"
35	738-04266	Shoulder Screw
36	731-05642	Trailshield
37	732-04089A	Torsion Spring - LH
38	712-0397	Wing Nut, 1/4-20
39	747-04587	Rear Door Pivot Rod
40	732-04175	Spring Lever
41	687-02333	Pivot Arm Assembly - RH
	687-02332	Pivot Arm Assembly - LH
42	710-1652	AB Screw
43	712-04065	Flange Lock Nut, 3/8-16
44	732-1014	Torsion Spring
45	710-0654A	TT Sems Screw, 3/8-16 x 1.0
46	687-02099B	Ht. Adj. Assy. Front LH (7" wheel)
	687-02100B	Ht. Adj. Assy. Front RH (7" wheel)
	687-02075B	Ht. Adj. Assy. Front LH (8" wheel)
	687-02074B	Ht. Adj. Assy. Front RH (8" wheel)
47	687-02270A	Rear Handle Bracket Assy. - LH
	687-02271A	Rear Handle Bracket Assy. - RH
48	731-1506A†	Front Cover
49	736-0504†	Wave Washer
50	731-2626†	Bail Cover - Black
	731-04859†	Bail Cover - Gray
51	731-0981A†	Hub Cap

† If Equipped

NOTE: Mower features/components vary by model. NOT all parts listed above and pictured on the previous page are standard equipment.