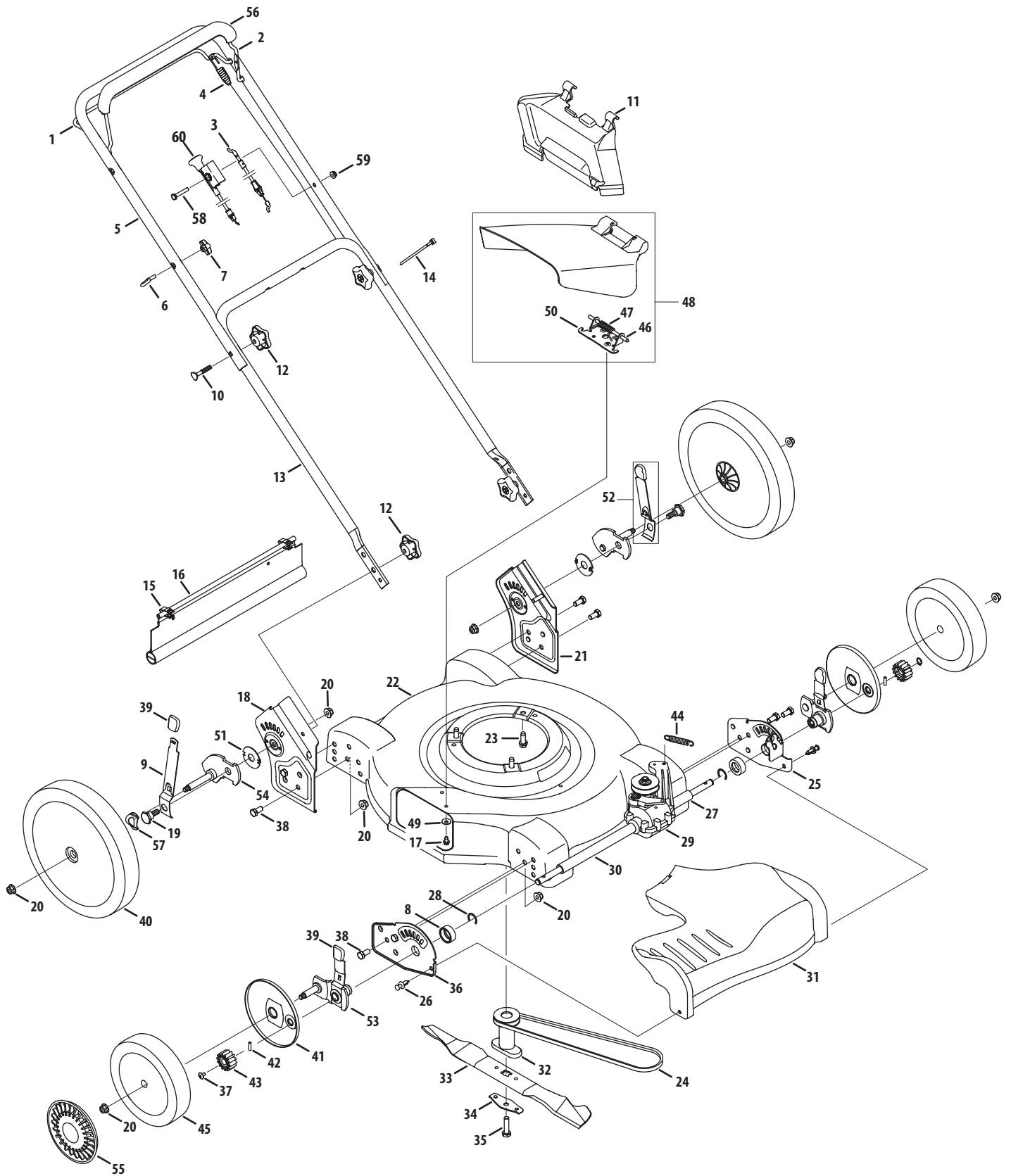


Model 52K



Ref No.	Part Number	Description
1.	747-1214	Drive Control
2.	747-1161A	Blade Control
3.	746-04300	Control Cable
4.	746-04304	Drive Control Cable
5.	749-1092A	Upper Handle
6.	710-1205	Eye Bolt
7.	720-0279	Wing Nut, 1/4-20
8.	748-0390	Bearing Support Spacer
9.	732-0984B	Spring Lever
10.	710-1174	Carriage Bolt, 5/16-18 x 2.0
11.	631-04045	Mulching Baffle
12.	720-04072	Star Knob
13.	749-04037	Lower Handle
14.	725-0157	Cable Tie
15.	17098	Hinge Clip
16.	731-2537	Trail Shield
17.	710-0599	Hex Screw, 1/4-20 x.500
18.	682-3062A	Handle Bracket Assy - RH
19.	738-04267	Shoulder Screw, .625 x .412
20.	712-04065	Lock Nut, 3/8-16
21.	682-3063A	Handle Bracket Assembly - LH
22.	687-02046	22" Deck Assembly
23.	710-0654A	Hex Washer Scr., 3/8-16 x 1.0
24.	754-04100	V-Belt, 3L x 32.90
25.	782-0585A	Forward Height Adj. Plate - LH
26.	728-0199	Rivet
27.	750-04407	Sleeve Spacer, .550 ID x 2.22
28.	716-0198	Retainer Ring
29.	618-04375A	Transmission Assy. Comp.
30.	750-04406A	Sleeve Spacer, .550 ID x 8.51
31.	731-04014	Transmission Cover
32.	748-04016A	Blade Adapter

Ref No.	Part Number	Description
33.	742-0742A	22" Mulching Blade
34.	736-0524B	Blade Bell Support
35.	710-1044	Hex Cap Screw, 3/8-24 x 1.5
36.	782-0584	Forward Hght. Adj. Plate - RH
37.	710-04531	Screw, 1/4-20 x .390
38.	710-0216	Hex Cap Screw, 3/8-16 x.75
39.	720-0426	Adjustment Knob
40.	734-04093	Rear Wheel, 12 x 2.125, Zag
41.	731-04643	Wheel Dust Cover
42.	715-0221	Pin
43.	717-1762	Spur Gear 14T - RH
	717-1761	Spur Gear 14T - LH
44.	732-04049	Ext. Spring, .47 OD x 2.50
45.	734-2042	Front Wheel, 8 x 2.125, Zag
46.	747-0710	Hinge Pin
47.	732-1014	Torsion Spring
48.	731-1034B	Side Discharge Assembly
49.	736-0270	Bell Washer, .265 ID x.75 OD
50.	17032A	Deflector Chute Adapter
51.	741-0717	Thrust Bearing
52.	687-02052	Rear Hgt. Adj. Lever Assembly
53.	687-02140A	Front Lever Assembly - LH
	687-02141A	Front Lever Assembly - RH
54.	687-02343	Rear Pivot Arm Assembly - LH
	687-02344	Rear Pivot Arm Assembly - RH
55.	731-0981A	Hub Cap
56.	731-04859	Deluxe Bail Cover
57.	736-0182	Washer, Spring, .500 x 1.00 x .022
58.	710-0606	Screw, 1/4-20 x 1.50
59.	712-04064	Nut, Flange Lock, 1/4-20
60.	746-04295A	Choke Cable