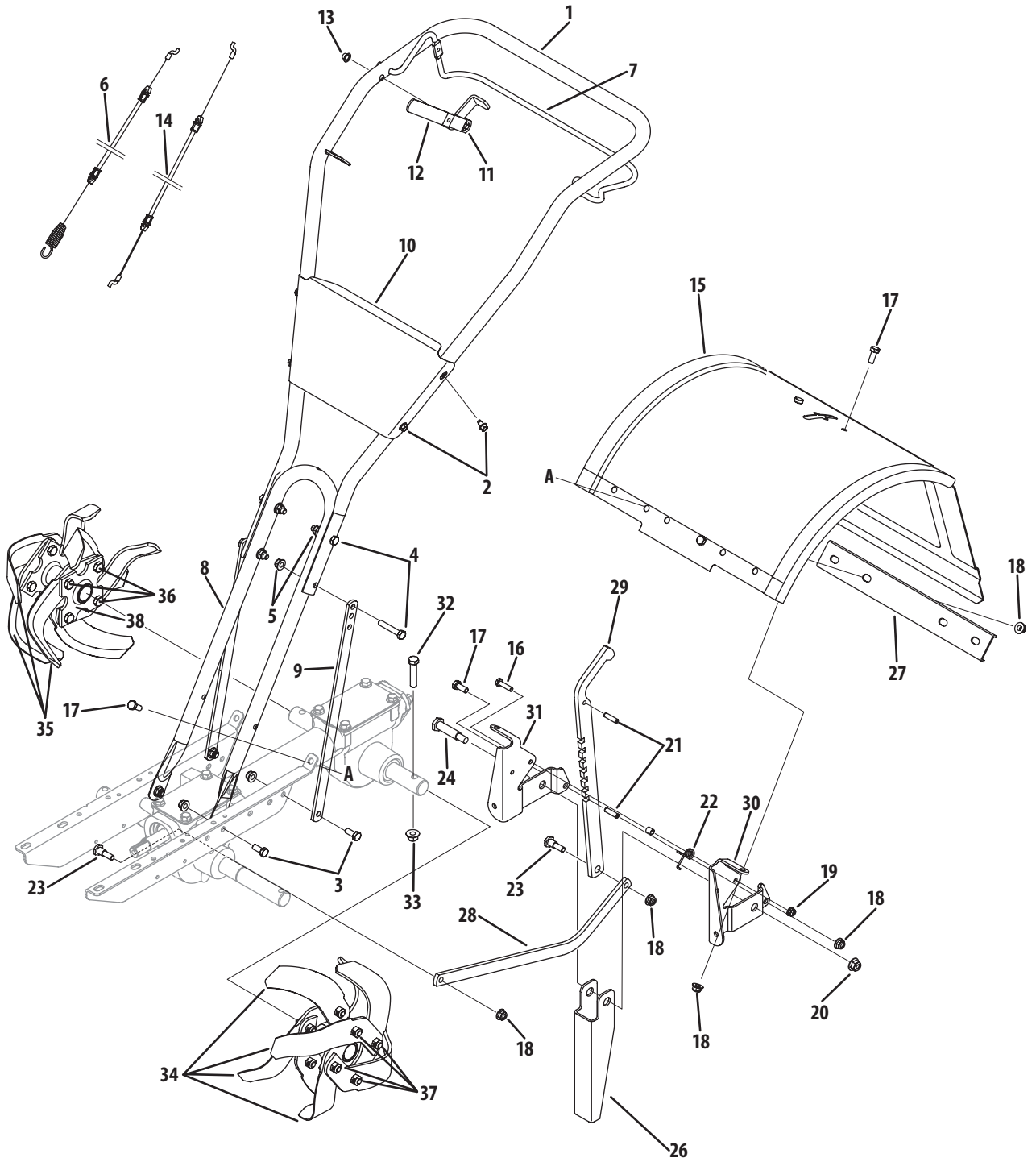


# 640 & 650 Series Handle, Tine Shield & Tines

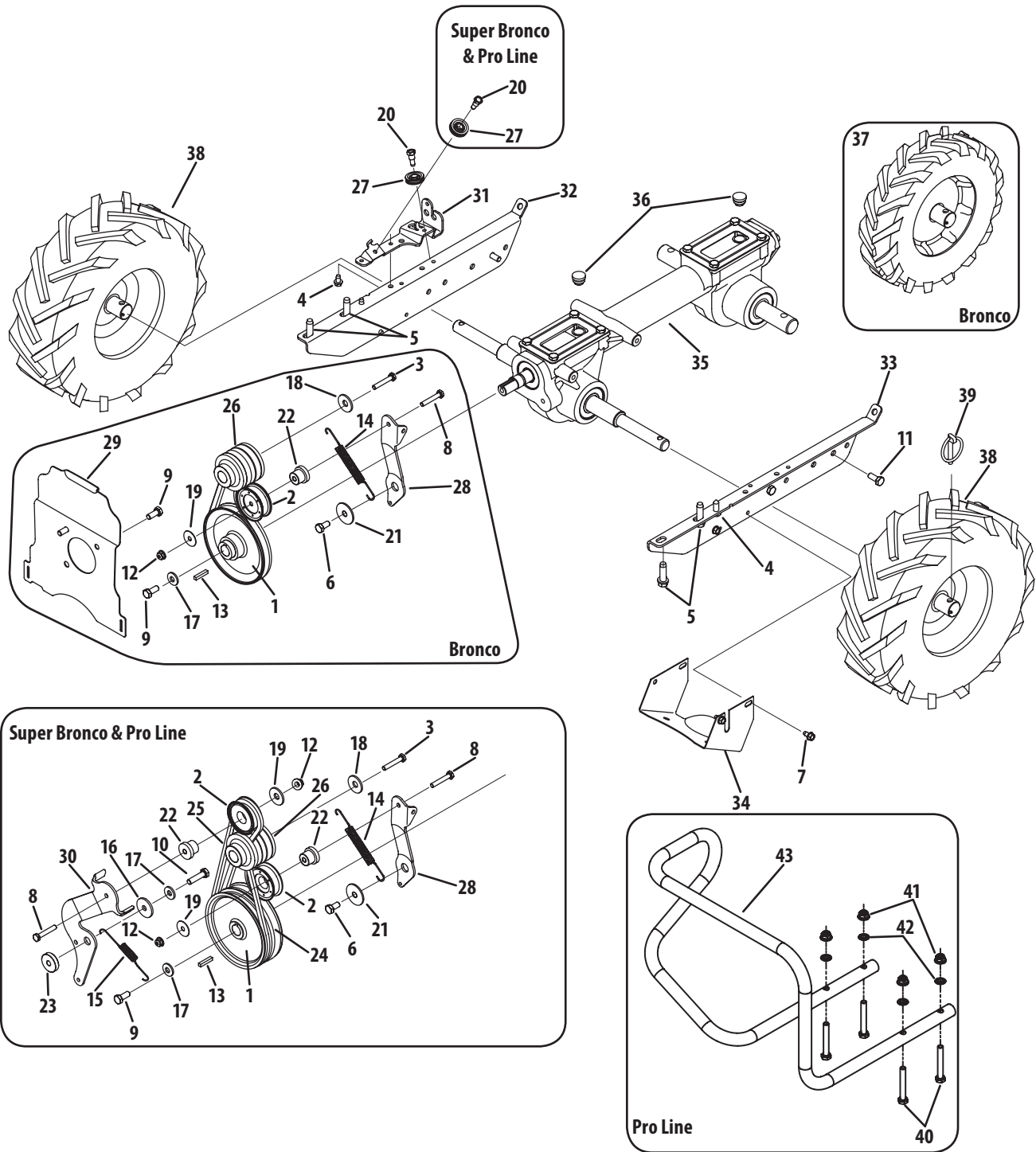


## 640 & 650 Series Handle, Tine Shields & Tines

Ref.	Part Number	Description	Ref.	Part Number	Description
1.	649-04066	Upper Handle Assembly	20.	712-04065	Flange Lock Nut, 3/8-16
2.	710-0599	Screw, 1/4-20 x .500	21.	715-0108	Spring Pin, 1/4 x 1.00
3.	710-3008	Hex Screw, 5/16-18 x .75	22.	732-04320	Torsion Spring
4.	710-3180	Hex Screw, 5/16-18 x 1.75	23.	738-04320	Shoulder Screw, 5/16-18 x .405 x .435
5.	712-04063	Flange Lock Nut, 5/16-18	24.	738-0533	Shoulder Screw, .498 x 1.635
6.	746-04413	Forward Cable	25.	750-04556	Split Spacer, .350 x .268 x .375
7.	747-04789	Clutch Bail	26.	786-04092	Reverse Stop Arm
8.	749-04208	Lower Handle Assembly	27.	786-04098	Support Bracket
9.	786-04188	Handle Support Bracket	28.	786-04104	Depth Drag Bar
10.	786-04200	Handle Panel	29.	786-04292	Adjustable Depth Bar
11.	686-04098	Reverse Handle Assembly	30.	786-04363	Tail Bracket, Left
12.	720-0270A	Reverse Handle Grip	31.	786-04364	Tail Bracket, Right
13.	726-0135	Speed Nut, .3125	32.	710-0347	Hex Screw, 3/8-16 x 1.75
14.	746-04414	Reverse Cable	33.	712-04065	Flange Lock Nut, 3/8-16
15.	686-04077	Tine Shield, 17" (B, C)	34.	742-04227	Bolo Tine, 10" LH
—	686-04073	Tine Shield, 15" (A)	35.	742-04226	Bolo Tine, 10" RH
16.	710-0597	Hex Screw, 1/4-20 x 1.00	36.	710-0514	Hex Screw, 3/8-16 x 1
17.	710-3008	Hex Screw, 5/16-18 x .75	37.	712-3000	Hex Lock Nut, 3/8-16
18.	712-04063	Flange Lock Nut, 5/16-18	38.	686-04065	Tine Holder (A)
19.	712-04064	Flange Lock Nut, 1/4-20	—	686-04066	Tine Holder (B, C)

A — Bronco  
 B — Super Bronco  
 C — Pro Line

# 640 & 650 Series Drive System



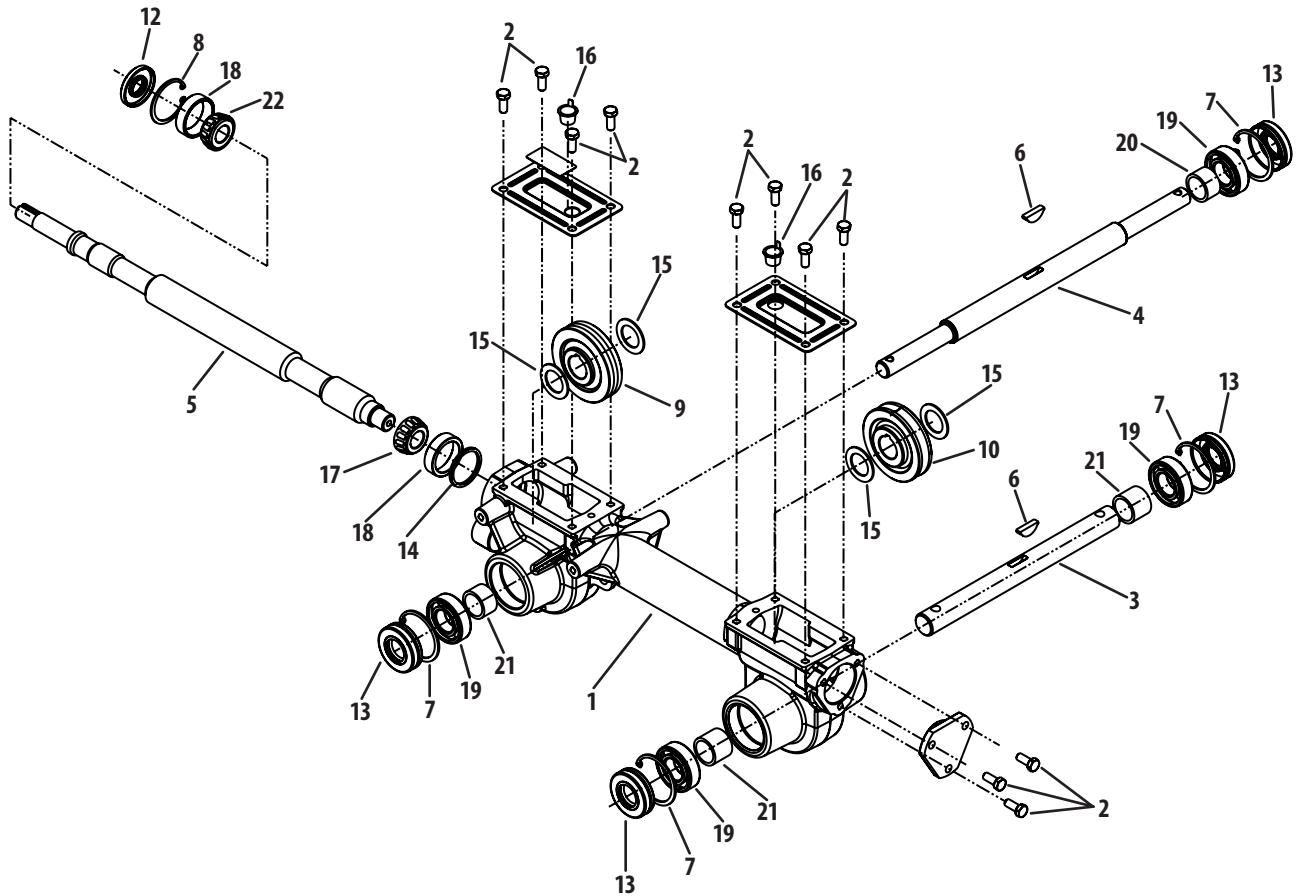
## 640 Series Drive System

Ref.	Part Number	Description
1.	656-04023A	Engine Pulley (A)
—	656-04005A	Engine Pulley (B,C)
2.	684-04168	Idler Pulley Assembly
3.	710-0151	Hex Screw, $\frac{3}{8}$ -24 x 2
4.	710-04484	Screw, $\frac{5}{16}$ -18 x .750
5.	710-0502A	Screw, $\frac{3}{8}$ -16 x 1.250 (A,B)
6.	710-0538	Hex Screw, $\frac{5}{16}$ -18 x .625
7.	710-0599	Screw, $\frac{1}{4}$ -20 x .500
8.	710-0606	Hex Screw, $\frac{1}{4}$ -20 x 1.50
9.	710-0627	Hex Screw, $\frac{5}{16}$ -24 x .750
10.	710-0672	Hex Screw, $\frac{5}{16}$ -24 x 1.250
11.	710-3008	Hex Screw, $\frac{5}{16}$ -18 x .75
12.	712-04064	Flange Lock Nut, $\frac{1}{4}$ -20
13.	714-0105	Key, $\frac{3}{16}$ x 1.00
14.	732-04085	Extension Spring, .480 x 5.00
15.	732-04276A	Extension Spring
16.	736-0343	Flat Washer, .330 x 1.25 x .120
17.	736-04193	Belleville Washer, .827 x .331 x .098
18.	736-0452	Belleville Washer, .396 x 1.140 x .095
19.	736-3092	Flat Washer, .265 x 1.0 x .030
20.	738-0924A	Shoulder Screw, $\frac{1}{4}$ -28 x .340 x .335
21.	748-04087A	Pivot Spacer

Ref.	Part Number	Description
22.	750-04571	Shoulder Spacer, .260 x .785 x .538
23.	750-04907	Pivot Spacer
24.	754-04090	Forward Drive Belt, 4 x 25.375
25.	754-04091	Reverse Drive Belt, 3 x 29.125
26.	756-04334	Engine Pulley
27.	756-0625	Cable Roller
28.	786-04312	Forward Idler Bracket
29.	786-04343	Motor Cover Plate
30.	786-04346	Reverse Idler Bracket
31.	786-04357	Bracket
32.	786-04367	Frame, Left
33.	786-04368	Frame, Right
34.	786-04371	Pulley Shield
35.	618-04597	Transmission Assembly
36.	721-04235	Rubber Oil Plug
37.	734-04188	Wheel, 10 x 2.75 (A)
38.	634-04232	Wheel, 13 x 5 x 6 (B,C)
39.	714-0143	Klik Pin
40.	710-0395	Hex Screw, $\frac{5}{16}$ -18 x 2.25
41.	712-04063	Flange Lock Nut, $\frac{5}{16}$ -18
42.	726-0201	Speed Nut, .3125
43.	749-04193	Bumper

A — Bronco  
 B — Super Bronco  
 C — Pro Line

# 640 & 650 Series Transmission Assembly



Ref.	Part Number	Description
1.	619-04190	Transmission Housing
2.	710-3008	Hex Screw, $\frac{5}{16}$ -18 x .75
3.	711-04844	Shaft
4.	711-04854	Wheel Shaft
5.	711-04882	Drive Shaft
6.	714-04059	Hi-Pro Key, .25 x 1.062
7.	716-0204	Retaining Ring
8.	716-04102	Retaining Ring
9.	717-04380	Worm Gear, 61T
10.	717-04381	Worm Gear, 30T
11.	718-04435	Bearing Cover
12.	721-04030	Oil Seal, .750 x 1.783
13.	721-04232	Oil Seal, 1.00 x 2.00

Ref.	Part Number	Description
14.	736-04305	Flat Washer, 1.50 x 1.75 x .062*
—	736-04306	Flat Washer, 1.50 x 1.75 x .005*
—	736-04307	Flat Washer, 1.50 x 1.75 x .03*
—	736-04308	Flat Washer, 1.50 x 1.75 x .010*
15.	736-0745	Flat Washer, 1.010 x 1.56 x .060
16.	737-04214	Plastic Plug
17.	741-04298	Cone Bearing
18.	741-04299	Cup Bearing
19.	741-3114	Ball Bearing
20.	750-04943	Spacer, 1.00 x 1.25 x .73
21.	750-04944	Spacer, 1.00 x 1.25 x .98
22.	786-04366	Transmission Cover

\* — Washers of multiple thickness are used as required to obtain .005" to .015" of end play in the drive shaft