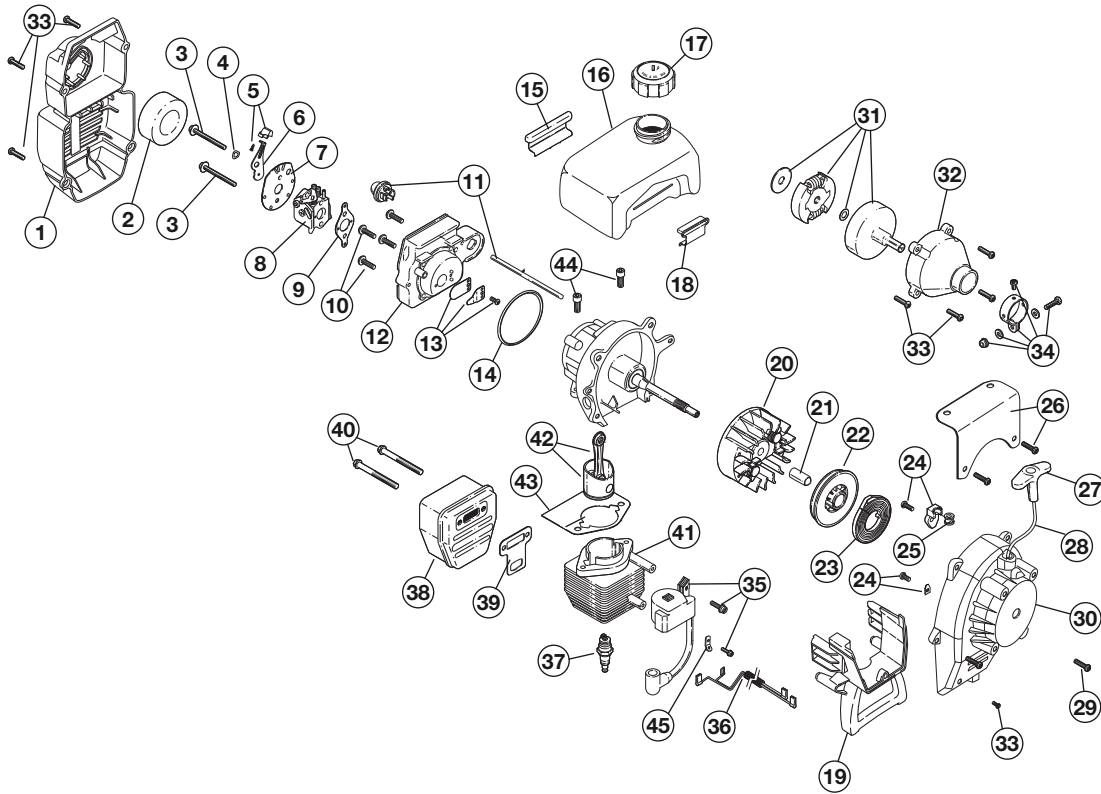


REPLACEMENT PARTS - MODEL YM121

2-CYCLE GAS CULTIVATOR

PPN 21A-121R900

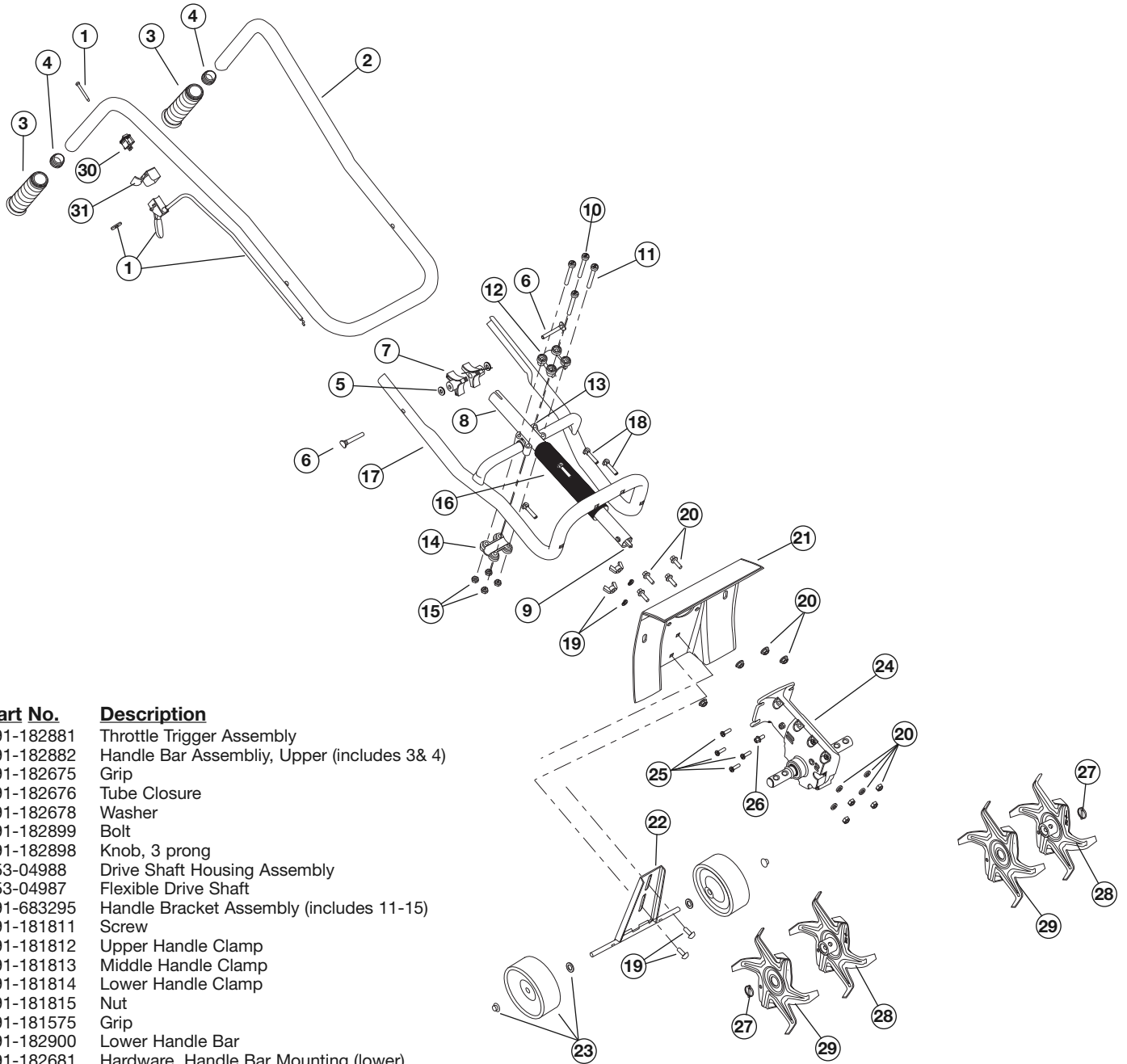


| Item | Part No. | Description | Item | Part No. | Description |
|------|-------------|--|------|-------------|--|
| 1 | 753-04511 | Air Cleaner Assembly (includes 2 & 33) | 30 | 791-182776 | Starter Housing Assembly (includes items 22-25, 27-29 & 32) |
| 2 | 791-180350B | Air Cleaner Filter | 31 | 753-05860 | Clutch Assembly |
| 3 | 791-180351 | Carburetor Mounting Screw Assembly | 32 | 791-180098 | Clutch Cover Assembly (includes 33) |
| 4 | 791-180226 | Wavey Washer | 33 | 791-181345 | Cover Screw |
| 5 | 791-182202 | Choke Knob & Screw | 34 | 791-153597 | Upper Clamp Assembly |
| 6 | 753-04418 | Choke Lever Assembly (includes 5) | 35 | 753-05420 | Module Assembly (includes 45) |
| 7 | 753-04419 | Choke Lever & Plate (includes 6) | 36 | 791-182880 | Wire Lead |
| 8 | 753-04333 | Carburetor Assembly (includes 9) | 37 | 791-610311B | Spark Plug |
| 9 | 791-610675 | Carburetor Gasket | 38 | 753-04926 | Muffler Assembly (includes item 39, 40 & Spark Arrestor) |
| 10 | 791-181860 | Carb Mount Screw | 39 | 753-04619 | Exhaust Gasket |
| 11 | 791-683974B | Primer and Hose Assembly | 40 | 753-04620 | Muffler Mounting Bolt Assembly |
| 12 | 753-1196 | Carb Mount Assembly (includes 10, 13 & 14) | 41 | 753-04814 | Cylinder Assembly (includes items 43 & 44) |
| 13 | 791-684451 | Reed Assembly | 42 | 753-04367 | Piston & Rod Assembly |
| 14 | 753-05487 | Carburetor O-Ring | 43 | 753-04182 | Cylinder Gasket |
| 15 | 791-612134 | Rear Mounting Pad | 44 | 791-182723 | Cylinder Bolt |
| 16 | 753-04306 | Fuel Tank Assembly (includes 17) | 45 | 791-611063 | Ground Tab |
| 17 | 791-182529 | Fuel Cap Assembly | * | 753-1209 | Piston Ring |
| 18 | 791-145308 | Front Mounting Pad | * | 753-04925 | Spark Arrestor |
| 19 | 753-04611 | Shroud Extension and Stand (includes 33) | * | 753-04986 | Short Block Assembly (items 10, 20, 21, 35, 37, 41-45 & Crankcase) |
| 20 | 791-182736 | Flywheel Assembly | * | 791-181599 | Clutch Springs (Qty. 2) |
| 21 | 791-181065 | Spacer | | | |
| 22 | 753-1199 | Recoil Pulley | | | |
| 23 | 791-613102 | Recoil Spring | | | |
| 24 | 791-180930 | Pulley Retainer Assembly | | | |
| 25 | 791-611061 | Rope Guide | | | |
| 26 | 791-180317 | Fuel Tank Guard Assembly | | | |
| 27 | 791-181079 | Pull Handle | | | |
| 28 | 791-613103 | Rope | | | |
| 29 | 791-181912 | Housing Screw | | | |
| | | | * | not shown | |

REPLACEMENT PARTS - MODEL YM121

2-CYCLE GAS CULTIVATOR

PPN 21A-121R900



| Item | Part No. | Description |
|------|------------|---|
| 1 | 791-182881 | Throttle Trigger Assembly |
| 2 | 791-182882 | Handle Bar Assembly, Upper (includes 3 & 4) |
| 3 | 791-182675 | Grip |
| 4 | 791-182676 | Tube Closure |
| 5 | 791-182678 | Washer |
| 6 | 791-182899 | Bolt |
| 7 | 791-182898 | Knob, 3 prong |
| 8 | 753-04988 | Drive Shaft Housing Assembly |
| 9 | 753-04987 | Flexible Drive Shaft |
| 10 | 791-683295 | Handle Bracket Assembly (includes 11-15) |
| 11 | 791-181811 | Screw |
| 12 | 791-181812 | Upper Handle Clamp |
| 13 | 791-181813 | Middle Handle Clamp |
| 14 | 791-181814 | Lower Handle Clamp |
| 15 | 791-181815 | Nut |
| 16 | 791-181575 | Grip |
| 17 | 791-182900 | Lower Handle Bar |
| 18 | 791-182681 | Hardware, Handle Bar Mounting (lower) |
| 19 | 791-147467 | Wheel Bracket Mounting Hardware |
| 20 | 753-04266 | Guard Mounting Hardware |
| 21 | 791-182683 | Guard |
| 22 | 791-180320 | Wheel Bracket Assembly (Black & White Wheels) |
| 22 | 753-05024 | Wheel Bracket Assembly (Solid Black Wheels) |
| 23 | 791-180944 | Wheel Assembly (Black & White Wheels) |
| 23 | 753-04437 | Wheel Assembly (Solid Black Wheels) |
| 24 | 753-05982 | Gear Box Assembly |
| 25 | 791-182195 | Screw |
| 26 | 791-180288 | Sleeve Retainer Bolt |
| 27 | 753-05985 | Click Pin |
| 28 | 753-05984 | Tine Assembly (Left Outer or Right Inner) |
| 29 | 753-05983 | Tine Assembly (Left Inner or Right Outer) |
| 30 | 791-182405 | Switch |
| 31 | 791-182672 | Switch Bracket |

* not shown