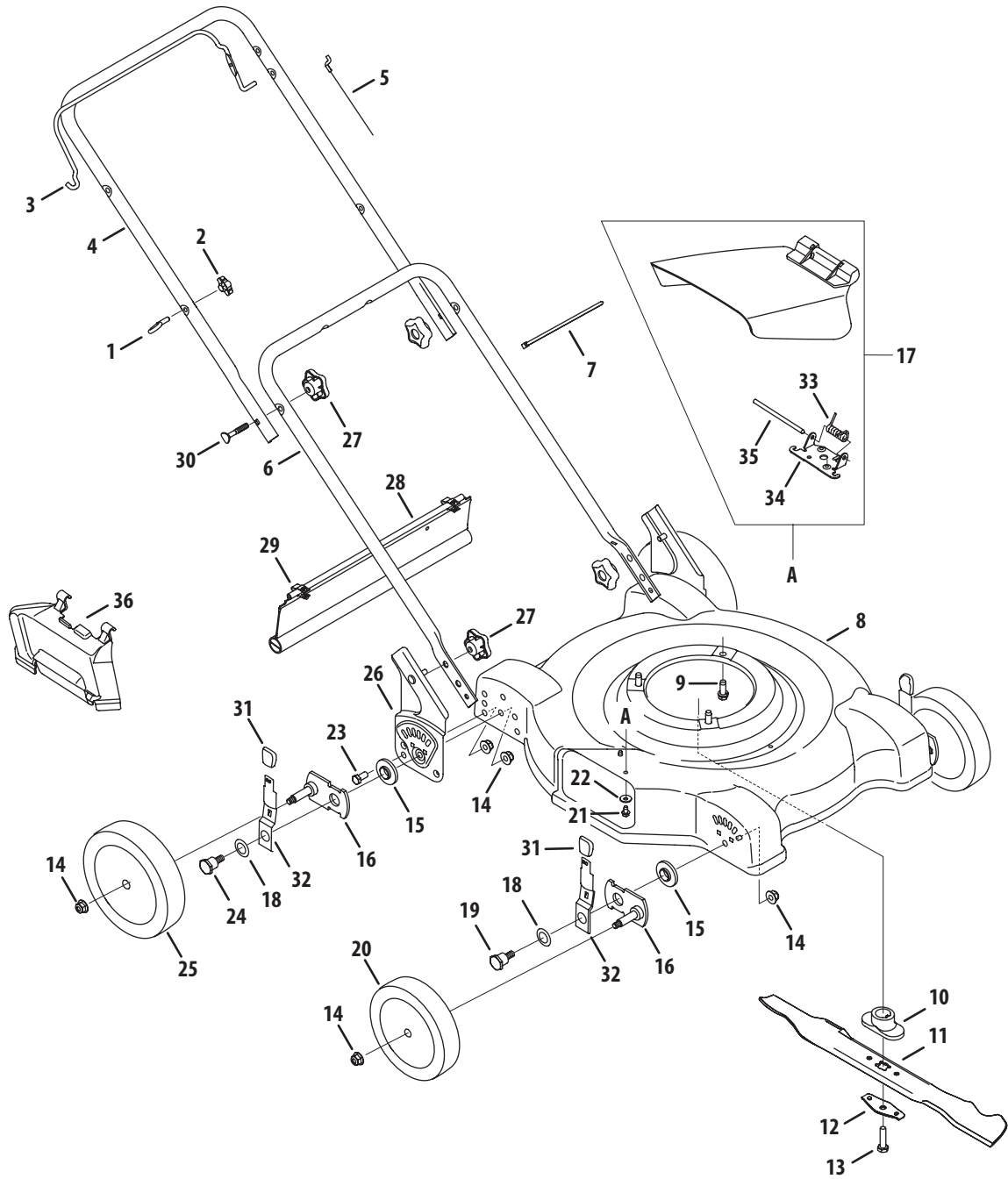


# Model Series 080



Ref.	Part Number	Description
1.	710-1205	Eye Bolt
2.	720-0279	Wing Nut
3.	747-1161A	Blade Control Handle
4.	749-1092A	Upper Handle
5.	746-0957	Control Cable
6.	749-04037	Lower Handle
7.	725-0157	Cable Tie
8.	787-01097	Deck Assembly, 22"
9.	710-0654A	TT Screw, 3/8-16 x 1.0
10.	748-0376C	Blade Adapter
11.	742-0642A	Standard Blade, 22"
	742-0742A†	Mulching Blade, 22"
12.	736-0524B	Blade Bell Support
13.	710-1044	Screw, 3/8-24 x 1.5
14.	712-04065	Lock Nut, 3/8-16
15.	741-04242	Height Adjuster Bearing
16.	687-02342	Pivot Arm
17.	731-1034B	Hinged Chute Deflector Assembly
18.	736-0741	Bell Washer, .760 OD x 1.25 OD

Ref.	Part Number	Description
19.	738-1172	Shoulder Screw
20.	734-1988	Front Wheel, 7 x 1.8, Bar
21.	710-0599	TT Screw, 1/4-20 x .5
22.	736-0270	Bell Washer, .265 ID x .75 OD
23.	710-0216	Screw, 3/8-16 x .75
24.	738-1173	Shoulder Screw
25.	734-1987	Rear Wheel, 8 x 1.8, Bar
26.	682-3064	Handle Bracket Assembly, RH
—	682-3065	Handle Bracket Assembly, LH
27.	720-04072	Star Knob
28.	731-04019	Trailshield
29.	17098	Hinge Clip
30.	710-1174	Carriage Bolt, 5/16-18 x 2
31.	720-0426	Knob
32.	732-1026	Lever
33.	732-1014	Torsion Spring
34.	17032A	Chute Hinge
35.	747-0710	Hinge Pin
36.	631-04045†	Mulching Baffle

† If Equipped