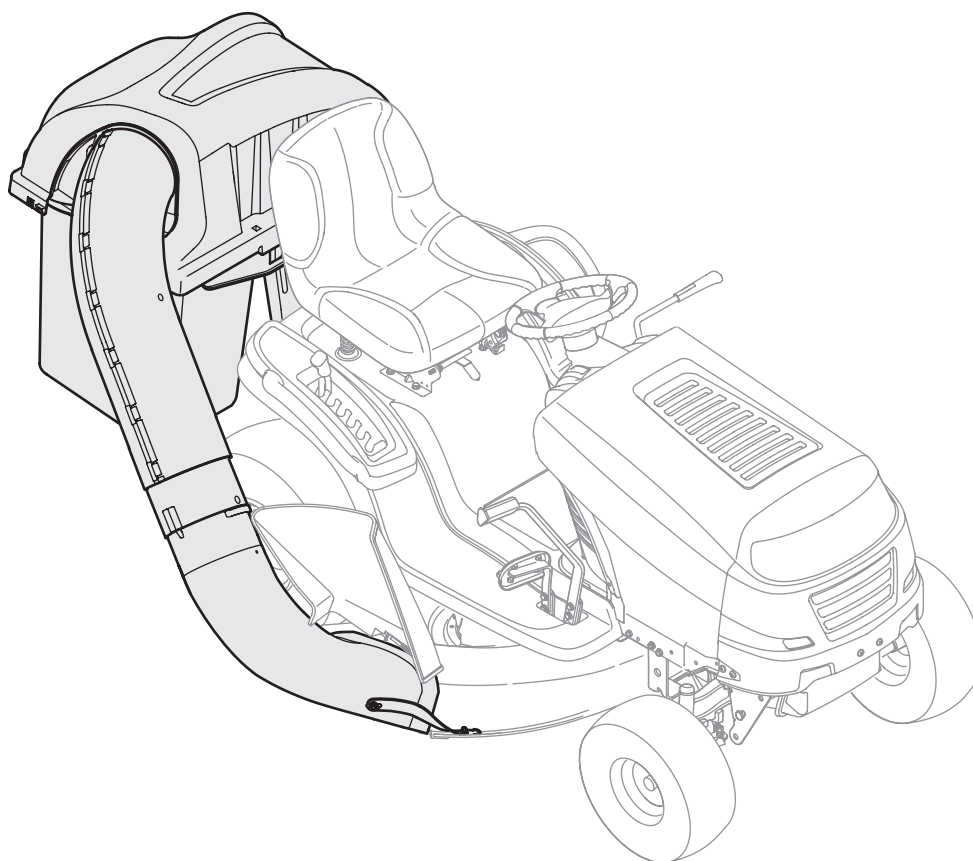

OPERATOR'S MANUAL

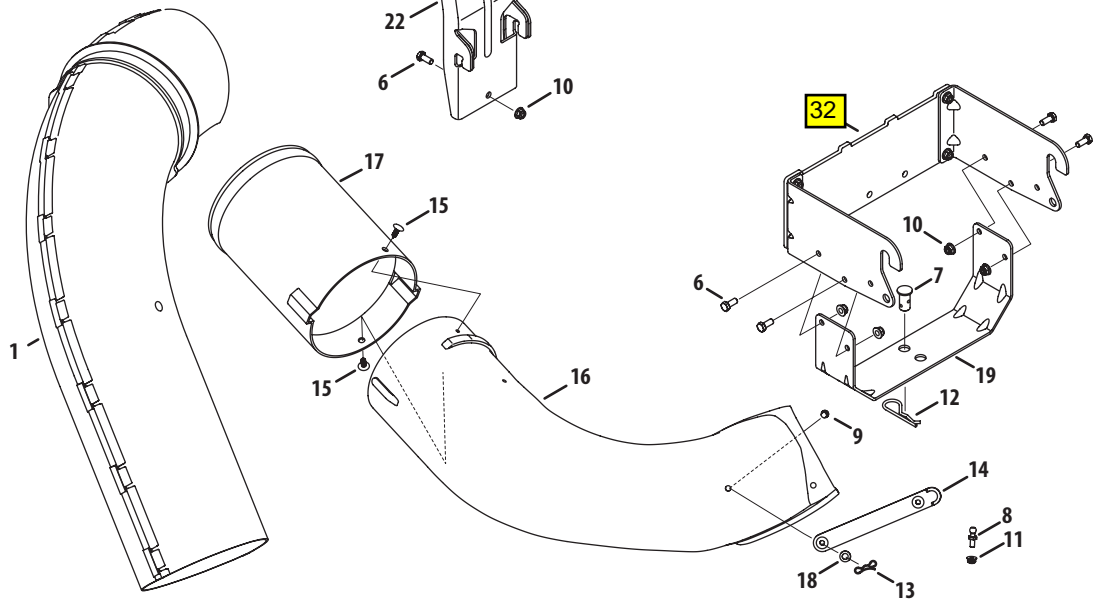
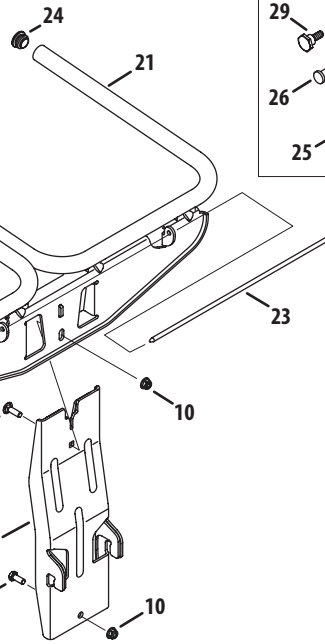
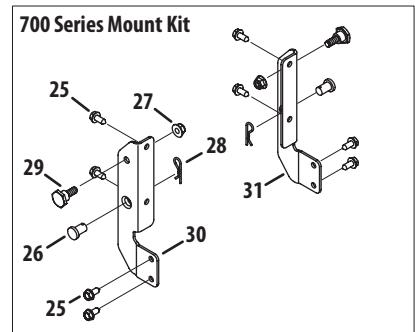
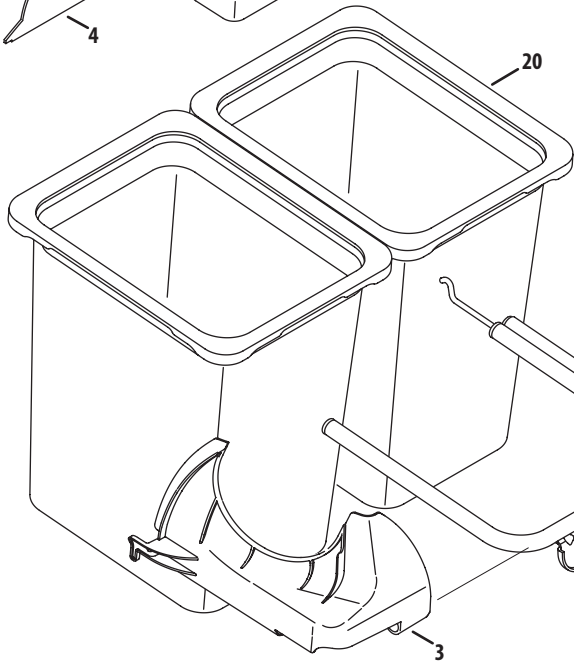
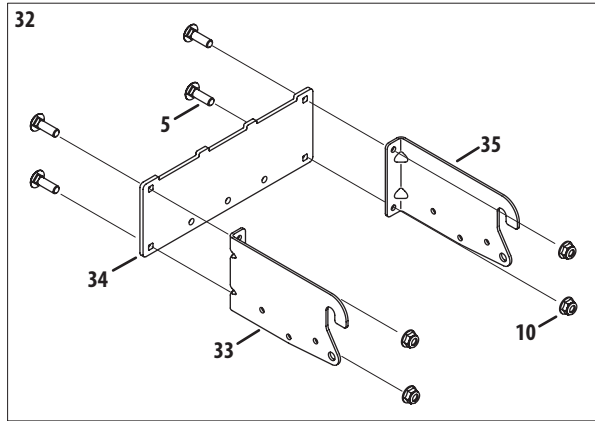
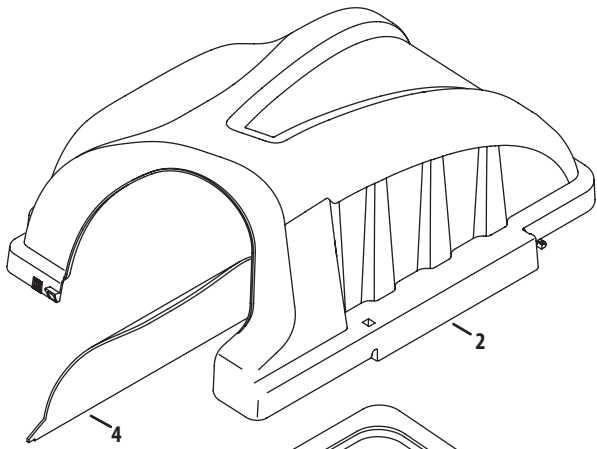


Twin Rear Bagger - Model No. OEM-190-180A & 19A30002000

⚠ WARNING

**READ AND FOLLOW ALL SAFETY RULES AND INSTRUCTIONS IN THIS MANUAL
BEFORE ATTEMPTING TO OPERATE THIS MACHINE.
FAILURE TO COMPLY WITH THESE INSTRUCTIONS MAY RESULT IN PERSONAL INJURY.**

MTD LLC, P.O. BOX 361131 CLEVELAND, OHIO 44136-0019



Ref.	Part Number	Description
1.	631-04291	Upper Chute Assembly
2.	631-04292	Double Bagger Cover Assembly
3.	731-06497	Upper Chute Support
4.	731-06504	Bagger Cover Screen
5.	710-0276	Carriage Screw, 5/16-18 x 1.00"
6.	710-3008	Hex Head Screw, 5/16-18 x .75"
7.	711-0309A	Clevis Pin, .62" Dia.
8.	711-04069	Grass-catcher Pin, 1/4-20
9.	711-05063	Clevis Pin, 5/16 x .75 Lg.
10.	712-04063	Flange Lock Nut, 5/16-18
11.	712-04064	Flange Lock Nut, 1/4-20
12.	714-0117	Internal Cotter Pin, .148 x 3.00
13.	714-04040	Bow-Tie Cotter Pin, 72
14.	723-04008A	Chute Strap, 6.00 Lg.
15.	726-3046	Ratchet Clip, .250
16.	731-04153A	Discharge Chute Elbow, 38"/42"
17.	731-06610	Bagger Chute Adapter, 7 In.
18.	736-0204	Flat Washer, .344 x .62 x .033
19.	783-05887	Universal Bracket Support, RT-99/
20.	664-04096	Grass-bag Assembly
21.	683-04461	Double Bag Support Assembly
22.	683-04519	Vertical Support Bracket
23.	711-04988	Cover Hinge Pin
24.	735-0246A	End Plug
25.	710-04484	Tap Screw, 5/16-18 x .750
26.	711-0332	Clevis Pin, .50 x .78 Lg.
27.	712-04065	Flange Lock Nut, 3/8-16
28.	714-0145	Click Pin, .092 x 1.64 Lg.
29.	738-04267	Shoulder Screw, .625 x .412
30.	783-05889	Mounting Bracket, RH
31.	783-05890	Mounting Bracket, LH
32.	689-00101	Hitch Bracket Assembly
33.	789-00052	Hitch Bracket, RH
34.	789-00053	Rear Attachment Bracket
35.	789-00054	Hitch Bracket, LH