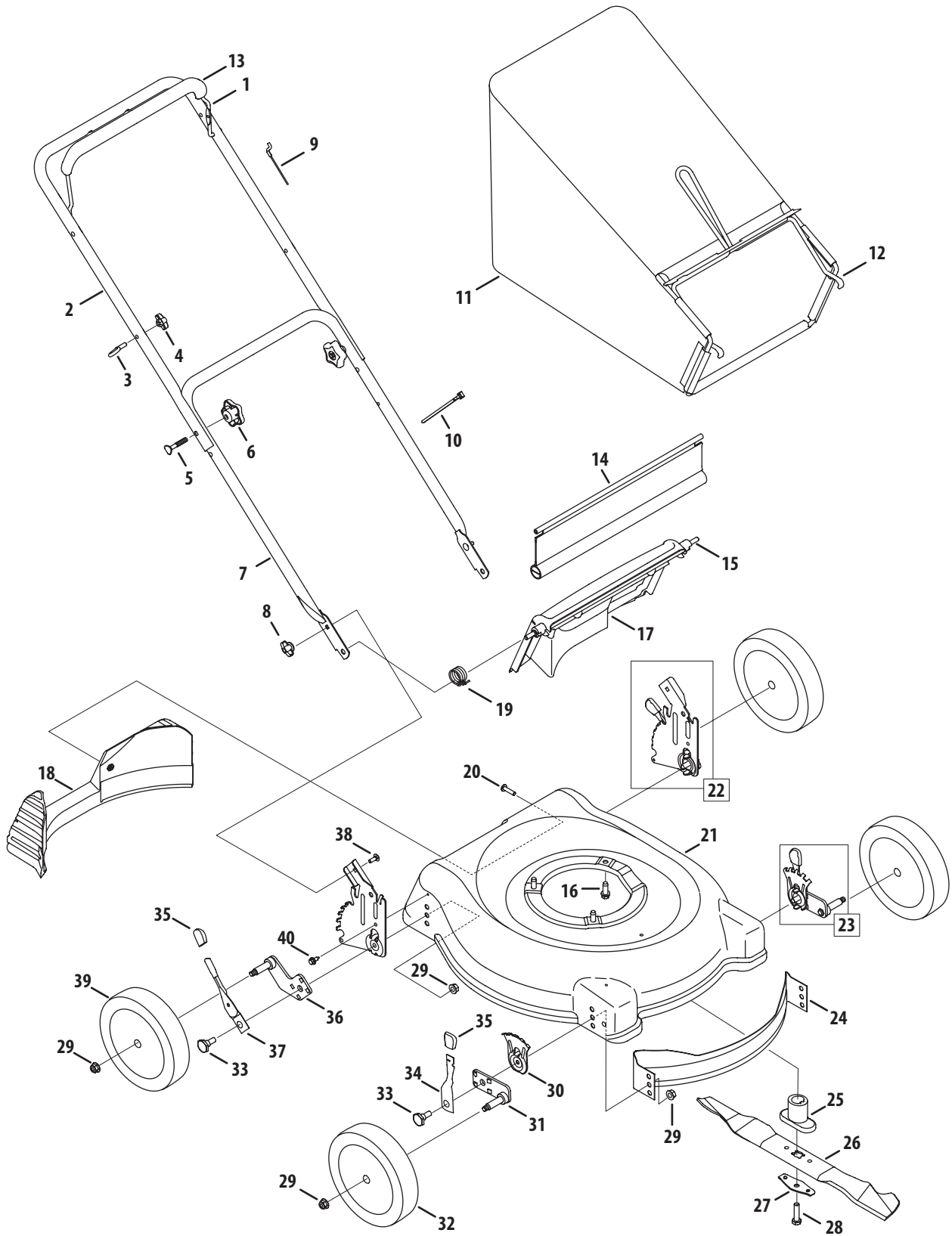


Model Series 410



Model Series 410

Ref No.	Part Number	Description
1	747-1161A-0637	Blade Control
2	749-1092A-0637	Upper Handle
3	710-1205	Rope Guide
4	720-0279	Wing Nut, 1/4-20
5	710-1174	Carriage Bolt, 5/16-18 x 2
6	720-04072	Hand Star Knob
7	749-0928A-0637	Lower Handle
8	912-0397	Wing Nut, 1/4-20
9	746-0957	Control Cable - 37.25"
	746-1130	Control Cable - 40"
	746-0554	Control Cable - 40.5"
	746-1137	Control Cable - 53"
10	926-0240	Cable Tie
11	964-04007A	Grass Bag
12	747-04080A	Grass Bag Frame
13	731-2626†	Bail Cover
14	731-05642A	Trailshield
15	747-04587	Rear Door Pivot Rod
16	710-0654A	TT Screw, 3/8-16 x 1
17	731-05865	Rear Discharge Door
18	731-04150C	Rear Baffle
19	732-04090A	Torsion Spring RH
20	710-1241	Screw, 1/4-15 x 1.00
21	787-01276-0638	Deck 21 inch
22	987-02271A	Handle Bracket Assy - RH
	987-02270A	Handle Bracket Assy - LH
23	987-02075B	Ht. Adj. Assy. Frt - LH (8" Wheel)
	987-02074B	Ht. Adj. Assy. Frt - RH (8" Wheel)

Ref No.	Part Number	Description
	987-02099B	Ht. Adj. Assy. Frt - LH (7" Wheel)
	987-02100B	Ht. Adj. Assy. Frt - RH (7" Wheel)
24	782-5002B	Front Baffle
25	748-0377C	Blade Adapter, #6 x 2.15
	748-04082	Blade Adapter, 25mm x 2.15
26	942-0641	Standard Blade
	942-0741†	Mulch Blade
27	736-0524B	Blade Bell Support
28	710-1257	Screw, 3/8-24 x 2.50 (w/ #6 x 2.15 w/Star Blade Adapter)
	710-1044	Screw, 3/8-24 x 1.50 (w/25mm Blade Adapter)
29	712-04065	Flange Lock Nut, 3/8-16
30	787-01290A	Height Adjustment Plate
31	987-02338	Pivot Arm Assy RH (7" wheel)
	987-02337	Pivot Arm Assy LH (7" wheel)
	987-02338	Pivot Arm Assy LH (8" wheel)
	987-02337	Pivot Arm Assy RH (8" wheel)
32	734-1988	Wheel, 7 x 1.8
33	738-04266	Shoulder Screw
34	94832	Spring Lever
35	720-0426	Height Adjustment Knob
36	987-02333	Pivot Arm Assembly - RH
	987-02332	Pivot Arm Assembly - LH
37	732-04175	Spring Lever
38	710-0703	Carriage Bolt, 1/4-20
39	734-1987	Wheel, 8 x 1.8
40	710-1652	Screw, 1/4-20 x .625

† If Equipped

NOTE: Mower features/components vary by model. NOT all parts listed above and pictured on the previous page are standard equipment.