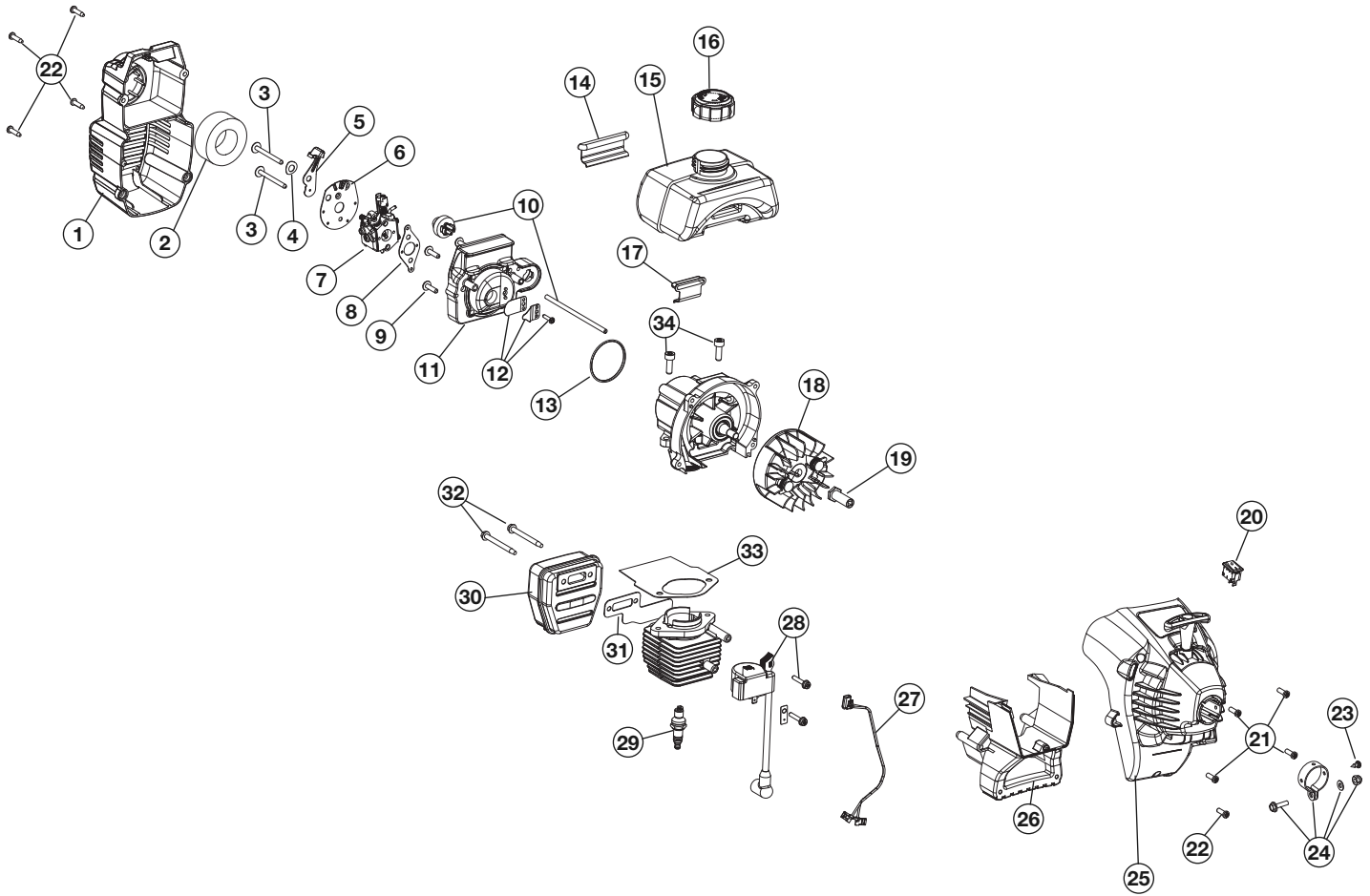


REPLACEMENT PARTS - MODEL BL150

2-CYCLE TRIMMER

PPN 41CD150G965

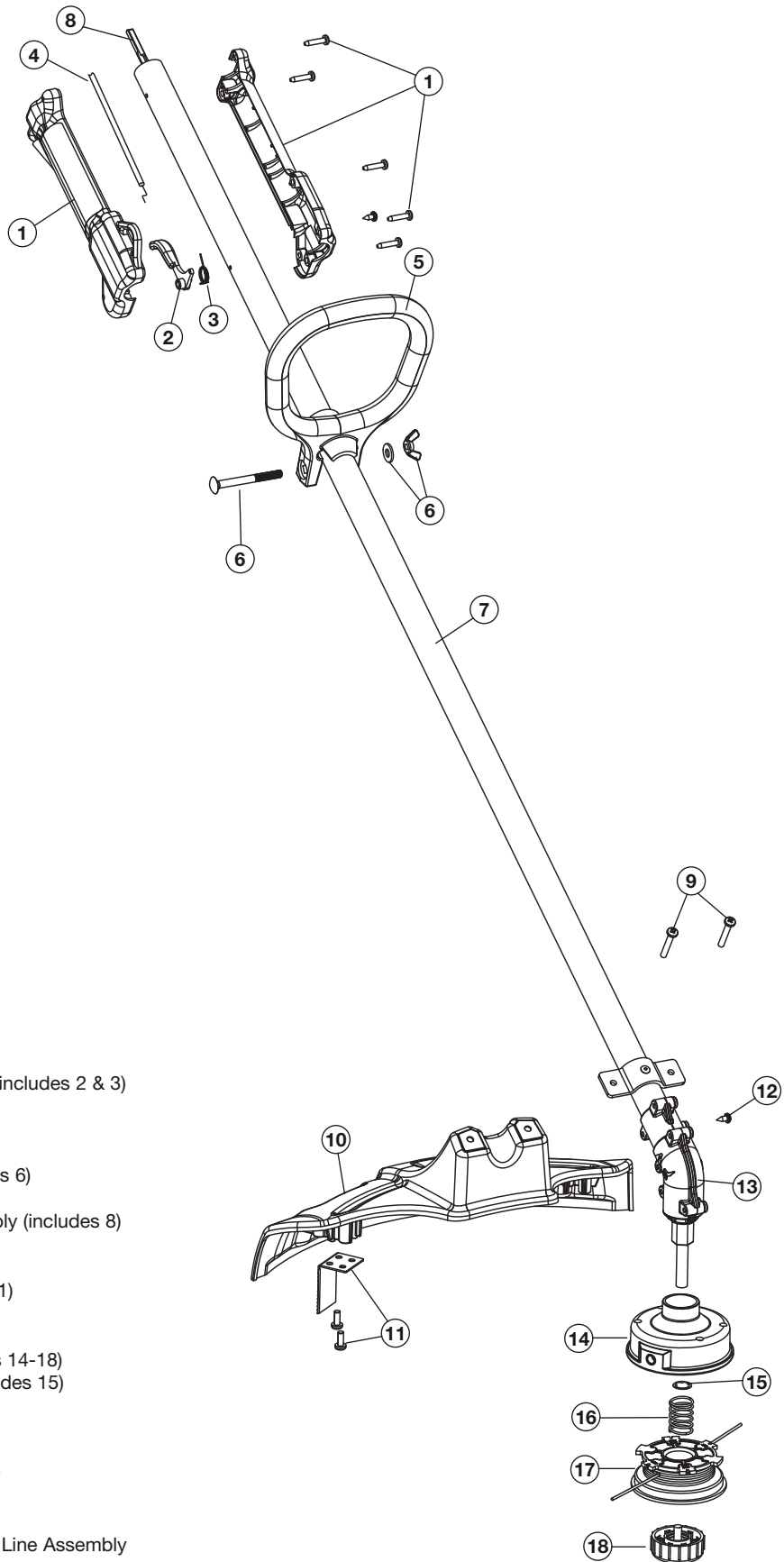


| Item | Part No. | Description | Item | Part No. | Description |
|------|-------------|---|------|-------------|---|
| 1 | 753-04511 | Air Cleaner Cover Assembly (includes 2 & 22) | 20 | 791-182405 | Switch Assembly |
| 2 | 791-180350B | Air Cleaner Filter | 21 | 791-181862 | Housing Screw |
| 3 | 791-180351 | Carburetor Mounting Screws | 22 | 791-181345 | Cover Screw |
| 4 | 791-180226 | Wavey Washer | 23 | 753-04466 | Anti Rotation Screw |
| 5 | 753-04418 | Choke Lever Assembly | 24 | 753-05056 | Clamp Assembly (includes 23) |
| 6 | 753-04419 | Choke Lever & Plate (includes 6) | 25 | 753-05764 | Starter Housing Assembly (includes 20-24 & 27) |
| 7 | 753-04408 | Carburetor Assembly (includes 8) | 26 | 791-182401 | Shroud Extension and Stand |
| 8 | 791-610675 | Carburetor Gasket | 27 | 753-04290 | Wire Lead |
| 9 | 791-181860 | Carb Mount Screw | 28 | 753-04324 | Module Assembly |
| 10 | 791-683974B | Primer and Hose Assembly | 29 | 791-610311B | Spark Plug |
| 11 | 753-1196 | Carburetor Mount Assembly (includes 9, 12 & 13) | 30 | 753-05709 | Muffler Assembly (includes 31, 32 & Spark Arrestor) |
| 12 | 791-684451 | Reed Assembly | 31 | 791-180980 | Exhaust Gasket |
| 13 | 753-05487 | O-Ring | 32 | 753-04620 | Muffler Mounting Bolt Assembly |
| 14 | 791-612134 | Rear Mounting Pad | 33 | 753-04182 | Cylinder Gasket |
| 15 | 753-04285 | Fuel Tank Assembly (includes 16) | 34 | 791-182723 | Cylinder Bolt |
| 16 | 791-182612 | Fuel Cap Assembly | * | 753-04689 | Spark Arrestor |
| 17 | 791-145308 | Front Mounting Pad | * | 753-1209 | Piston Ring |
| 18 | 753-05240 | Flywheel Assembly | * | 753-04826 | Short Block Assembly (includes 9, 18, 29, 33, 34) |
| 19 | 791-610303 | Square Nut Drive | | | |
| | | | * | not shown | |

REPLACEMENT PARTS - MODEL BL150

2-CYCLE TRIMMER

PPN 41CD150G965



| Item | Part No. | Description |
|------|-------------|--|
| 1 | 753-04927 | Throttle Housing Assembly (includes 2 & 3) |
| 2 | 791-610314 | Throttle Trigger Spring |
| 3 | 791-181807 | Throttle Trigger |
| 4 | 753-04901 | Throttle Cable |
| 5 | 791-153064 | D-Handle Assembly (includes 6) |
| 6 | 791-181587 | D-Handle Hardware |
| 7 | 753-06164 | Drive Shaft Housing Assembly (includes 8) |
| 8 | 753-05211 | Flexible Drive Shaft |
| 9 | 753-06125 | Shield Mounting Hardware |
| 10 | 753-06123 | Shield Assembly (includes 11) |
| 11 | 753-06126 | Blade Assembly |
| 12 | 753-05698 | Anti-Rotation Screw |
| 13 | 753-06165 | Gearbox Assembly (includes 14-18) |
| 14 | 753-04284 | Outer Spool Assembly (includes 15) |
| 15 | 791-610660 | Retainer |
| 16 | 791-610317B | Spring |
| 17 | 753-1155 | Inner Reel |
| 18 | 791-153066B | Bump Head Knob Assembly |

Optional Accessories

- * 791-153577B Spool & 0.080 in. (2.03 mm) Line Assembly