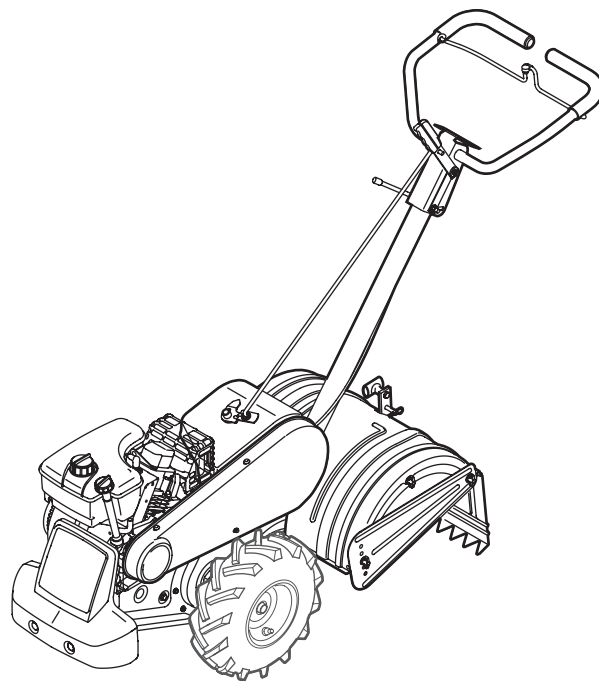


---

# ILLUSTRATED PARTS MANUAL



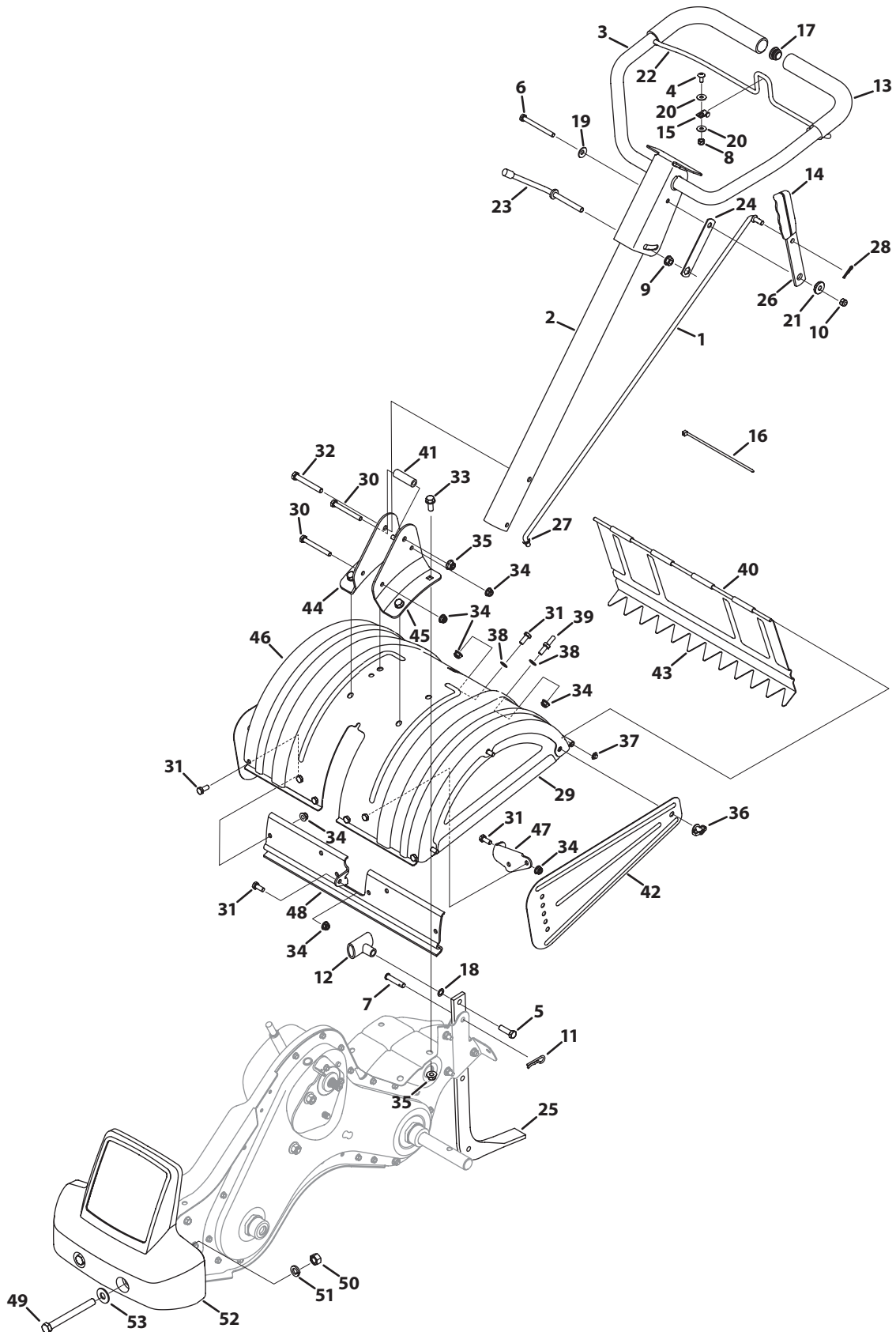
## Rear Tine Tiller — 450 Series

---

MTD LLC, P.O. BOX 361131 CLEVELAND, OHIO 44136-0019

---

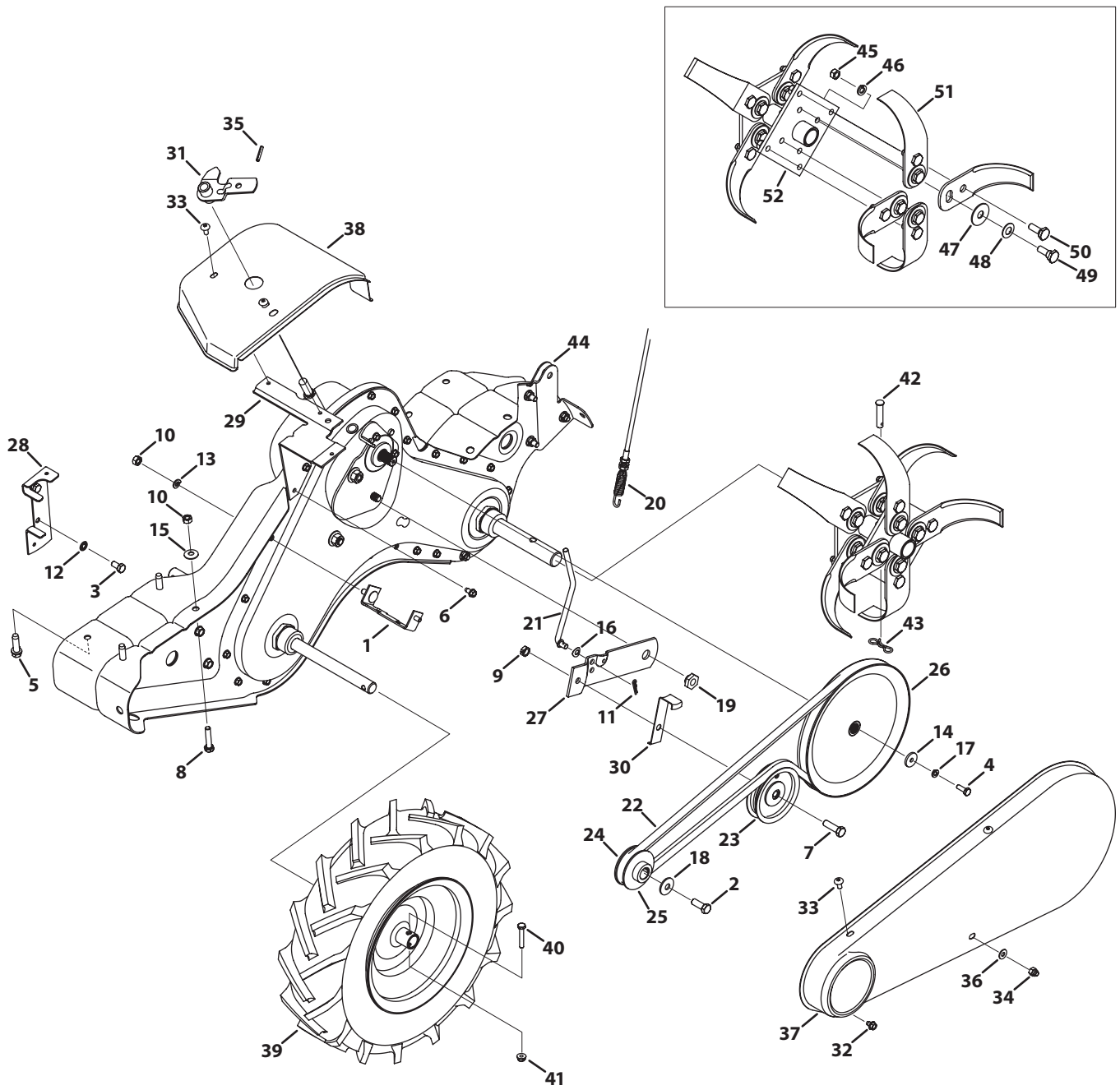
# 450 Series Handle & Tine Shield



## 450 Series Handle & Tine Shield

Ref.	Part Number	Description	Ref.	Part Number	Description
1	747-1152	Shaft Rod	28	914-0104	Cotter Pin, .072 x 1.12 LG
2	649-0034-0691	Lower Handle Tube Assembly	29	686-0044B-0691	End Cover Assembly
3	649-0041-0691	Upper Handle Assembly	30	710-0176	Hex Head Screw, 5/16-18 x 2.75
4	710-0946	Screw, 1/4-20 x 0.625	31	710-3008	Hex Head Screw, 5/16-18 x .75
5	710-3005	Hex Head Screw, 3/8-16:1.25	32	710-3022	Hex Head Screw, 3/8-16 x 2.75
6	710-3056	Hex Head Screw, 5/16-18 x 3.25	33	710-04482	Hex Head Flange, 3/8-16 x .875
7	911-0415	Clevis Pin, .375 X 1.75	34	712-04063	Flangelock Nut, 5/16-18
8	712-0324	Hexlock Nut, 1/4-20	35	712-04065	Flangelock Nut, 3/8-16
9	712-0379	Flangelock Nut, 3/8-24	36	712-0421	Wing Nut, 5/16-18 W/ Bell Washer
10	912-0429	Hexlock Nut, 5/16-18	37	926-0106	Speed Nut Cap, 1/4 ROD
11	714-0147	Cotter Pin, .125 X 1.75 INTERNAL	38	736-0204	Washer, Flat, .344 x .62 x .033
12	720-0210A	Small Tee Knob	39	938-0849	Screw, Hex, 5/16-18 x .75
13	720-0278A	Foam Grip, .970 x 11.0	40	747-0432	Tiller Flap Rod
14	720-0313	Grip, .1875 x 1.00	41	750-0885A	Spacer, .322 x .625 x 2.00
15	726-0273	Battery Clamp, 5/16	42	786-0090A-0691	Side Shield
16	726-0317	Cable Tie, 8.5 LG	43	786-0113A-0691	Rear Tine Shield
17	735-0246A	End Plug	44	786-0176-0691	RH Handle Mount Bracket
18	936-0117	Washer, Flat, .385 x .620 x .033	45	786-0177-0691	LH Handle Mount Bracket
19	736-0242	Washer, Bell, .340 x .872 x .060	46	786-0178A-0691	Tine Shield
20	736-3090	Washer, Flat, .260 x .720 x .060	47	786-0179-0637	FRT Tine Shield Bracket
21	938-0958	Spacer, Shoulder, .50 x .190 x .360 LG	48	786-0180-0637	FRT Tine Shield Spacer Bracket
22	747-1219-0637	Clutch Bail	49	710-0382	Hex Head Screw, 1/2-13 x 5.00
23	784-0190	Handle Adjustment Crank	50	912-0206	Hex Nut, 1/2-13
24	784-0191	Hex Nut Retainer Bracket	51	936-0921	Washer, Lock, 1/2
25	786-0120-0637	Tiller Depth Control	52	731-1595	Counterweight
26	786-0181-0691	Shaft Rod Lever	53	936-0179	Washer, Flat, 1/2 x 1.25 x .100
27	735-0127	Washer, Rubber, .33 ID x .87 OD x .125			

# 450 Series Drive System

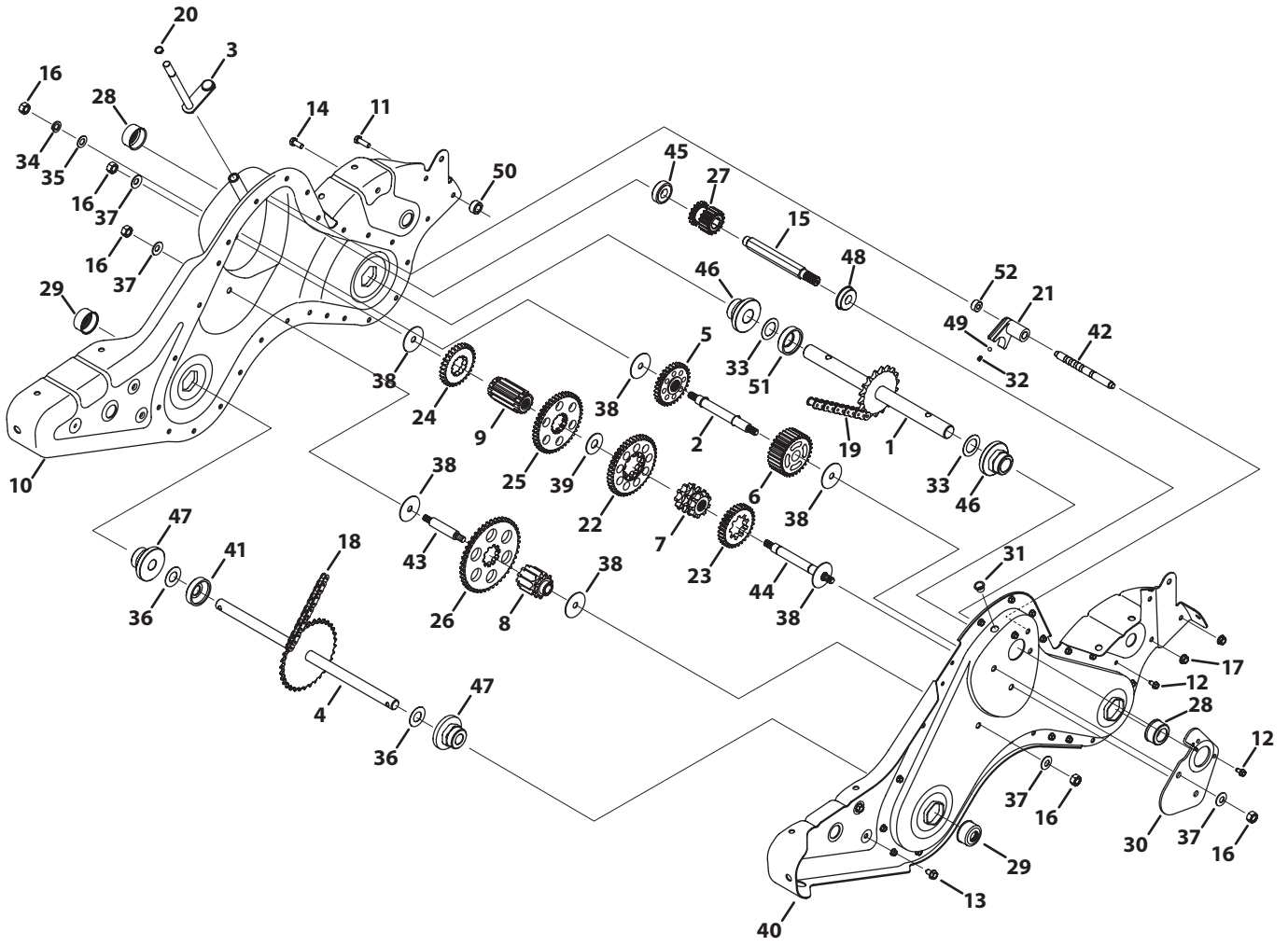


## 450 Series Drive System

Ref.	Part Number	Description
1	686-0111-0637	Belt Cover Bracket Assembly
2	710-1039	Hex Head Screw, 3/8-24 x 1.00
3	710-0237	Hex Head Screw, 5/16-24 x .625
4	710-0412	Hex Head Screw, 1/4-28 x .75
5	710-0502A	Screw, 3/8-16 x 1.250
6	710-0599	Screw, 1/4-20 x 0.500
7	710-3005	Hex Head Screw, 3/8-16 x 1.25
8	710-0805	Hex Head Screw, 5/16-18 x 1.50
9	712-0266A	Jamlock Nut, 3/8-16
10	912-3010	Hex Nut, 5/16-18
11	914-0104	Cotter Pin, .072 DIA. x 1.13 LG
12	936-0104	Washer, Lock, 5/16
13	936-0119	Washer, Lock, 5/16
14	936-0176	Washer, Flat, .265 x .938 x .120
15	736-0242	Washer, Bell, .340 x .872 x .060
16	936-0271	Washer, Spring, .317 x .625 x .020
17	936-0329	Washer, Lock, 1/4
18	936-0452	Washer, Bell, .396 x 1.140 x .095
19	938-0876	Shoulder Nut, 7/16-20
20	746-1117	Clutch Cable
21	747-1159	Idler Pulley Rod
22	954-0434	Belt, 4L x 58.16 LG
23	756-0405	Flat Idler Pulley w/ Flanges, 3.75 O.D.
24	756-0971	Engine Pulley, Inner Half
25	756-0972	Engine Pulley, Outer Half
26	756-1162	Input Pulley, 4L x 8.594
27	786-0064A	Idler Pulley Bracket

Ref.	Part Number	Description
28	786-0186-0637	Belt Keeper Bracket, B&S 6.5 HP
29	786-0187-0637	Shaft Cover Bracket
30	786-0193-0637	Idler Belt Keeper
31	686-0109	Shaft Crank Assembly
32	710-0653	Screw, 1/4-20:0.375
33	710-1017	Screw, 1/4-14:0.625
34	712-0392	Lock Nut, Cap, 1/4-28
35	915-0120	Spiral Pin, 3/16 x 1.00
36	936-3020	Washer, Flat, .271x .630 x .065
37	784-0158A-0662	Belt Cover - Gray
	784-0158A-0691	Belt Cover - Black Jack
38	784-0208C-0637	Shaft Cover
39	934-04231	Wheel, 16 x 4.6 x 8
40	710-0606	Hex Head Screw, 1/4-20 x 1.50
41	712-04064	Flangelock Nut, 1/4-20
42	911-0415	Clevis Pin, .375 x 1.75
43	714-04043	Cotter Pin, Bow-Tie
44	986-04074	Complete Gear Case Assembly
45	712-3054	Hexlock Nut, 3/8-24
46	936-0169	Washer, Lock, 3/8
47	936-0208	Washer, Flat, .51 x 1.5 x 0.07
48	936-0253	Washer, Bell, .525 x 1.00 x .050
49	938-0688	Screw, Shoulder, 3/8-24 x 1/2 x .325
50	938-0689	Screw, Shoulder, 3/8-24 x 1/2 x .180
51	742-0305A-0637	Articulating Tine
52	984-0160-0637	Tine Adaptor Assembly

# 450 Series Transmission Assembly



## 450 Series Transmission Assembly

Ref.	Part Number	Description
1	611-0021	Shaft Assembly, Tine, 18T
2	611-0128	Shaft Assembly, Jack
3	611-0129	Shaft Assembly, Shift Input
4	611-04074	Shaft Assembly, Wheel, 33T
5	617-0058	Gear Assembly, 30T Reverse Idler
6	617-0059	Gear Assembly, 30T Tine Idler
7	617-0060	Sprocket Assembly, 9T Tine Input
8	617-0061	Sprocket Assembly, 10T Wheel Input
9	617-0062	Gear Assembly, 11T
10	686-0108-0637	RH Chain Case Housing Assembly
11	710-0376	Hex Head Screw, 5/16-18 x 1.00
12	710-0599	Screw, 1/4-20 x 0.500
13	710-0604A	Screw, :5/16-18 x 0.625
14	710-3008	Hex Head Screw, 5/16-18 x .75
15	711-1349	Input Shaft, .75
16	712-0378	Nut, Hex, 7/16-20
17	712-3004A	Nut, Flangelock, 5/16-18
18	913-0367	Endless Chain, #420 x 50 Links
19	913-0484	Endless Chain, #50 x 54 Links
20	716-0865	Snap Ring, .500
21	717-0853	Clutch Collar
22	717-1582	Gear Spur, 44T
23	717-1583	Gear Spur, 30T
24	717-1584	Gear Spur, 30T
25	717-1585	Gear Spur, 44T
26	717-1587	Gear Spur, 44T

Ref.	Part Number	Description
27	717-1594	Gear Spur, 16T
28	921-0378	Shaft Seal, 1.0
29	721-0379	Shaft Seal, .75
30	786-0238	Positioner Gear Bracket
31	726-0277	Tapered Cap Plug
32	932-0496	Compression Spring, .230 OD
33	936-0163	Washer, Flat, 1.03 x 1.62 x .03
34	936-0171	Washer, Lock, 7/16
35	936-0226	Washer, Flat,.474 x .879 x .064
36	936-0351	Washer, Flat, .760 ID x 1.50 OD
37	736-0407	Washer, Bell,.45 x 1.00 x .062
38	736-0518	Washer, Thrust, .445 x 1.92 x .060
39	736-3088	Washer, Flat,1.595 x .635 x .062
40	786-0171-0637	LH Chain Case Housing
41	950-0671	Spacer, .75 x 2.0 x .50
42	738-0645	Shaft Detent, .5 DIA
43	738-0648	Shaft, Jack, .625 x 2.385
44	738-1013	Shaft, Jack, .6250 x 5.0050
45	941-0124	Ball Bearing, 17 x 40 x 12:6203
46	941-0420	Flange Bearing, 1.0 x 2.5 x 1.38
47	741-0421	Flange Bearing, .75 x 2.5 x 1.38
48	941-0563	Ball Bearing, 17 x 40 x 12:6203
49	741-0862	Ball, Detent, .250
50	750-0258	Spacer, .315 x .750 x .375 LG
51	950-0570	Spacer, 1.0 ID x 2.0 OD x.5 LG
52	750-0664	Spacer, .505 ID x .88 OD x .440



To order replacement parts or locate your nearest service dealer call a Customer Support at (800) 800-7310.  
or visit [www.mtdproducts.com](http://www.mtdproducts.com) to find the nearest authorized dealer in your area.

---

**MTD LLC, P.O. BOX 361131 CLEVELAND, OHIO 44136-0019**

---