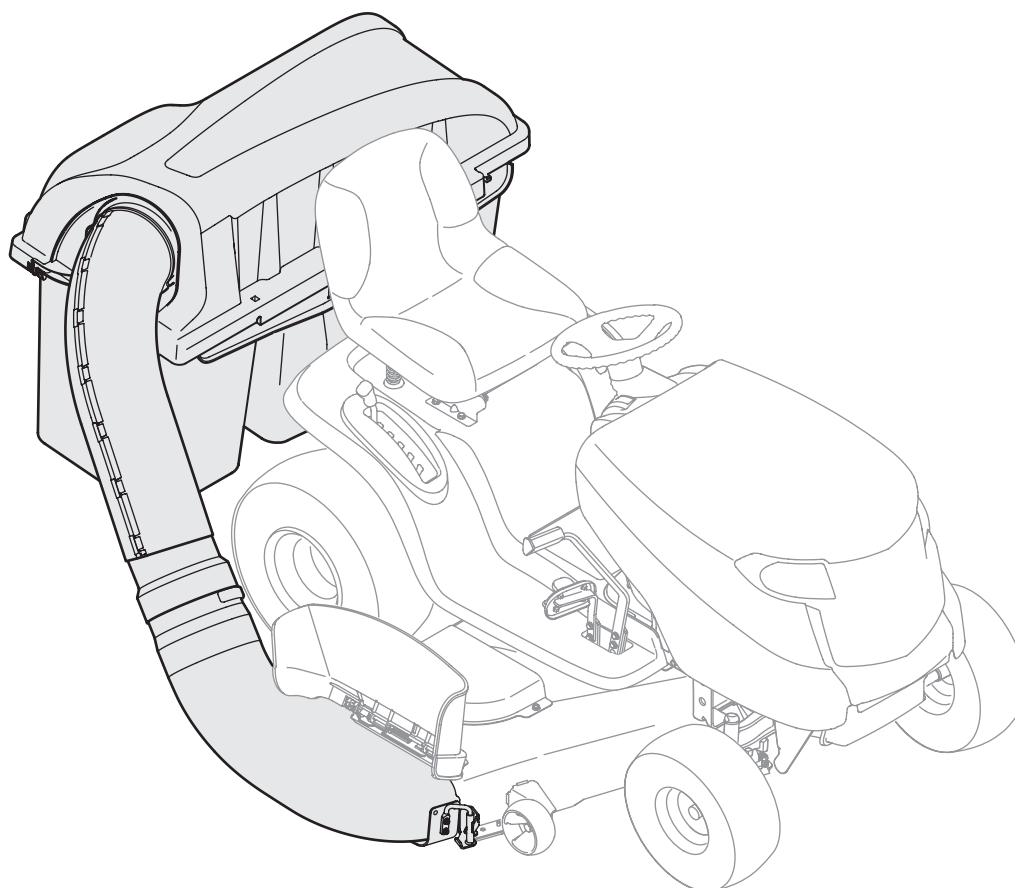

OPERATOR'S MANUAL



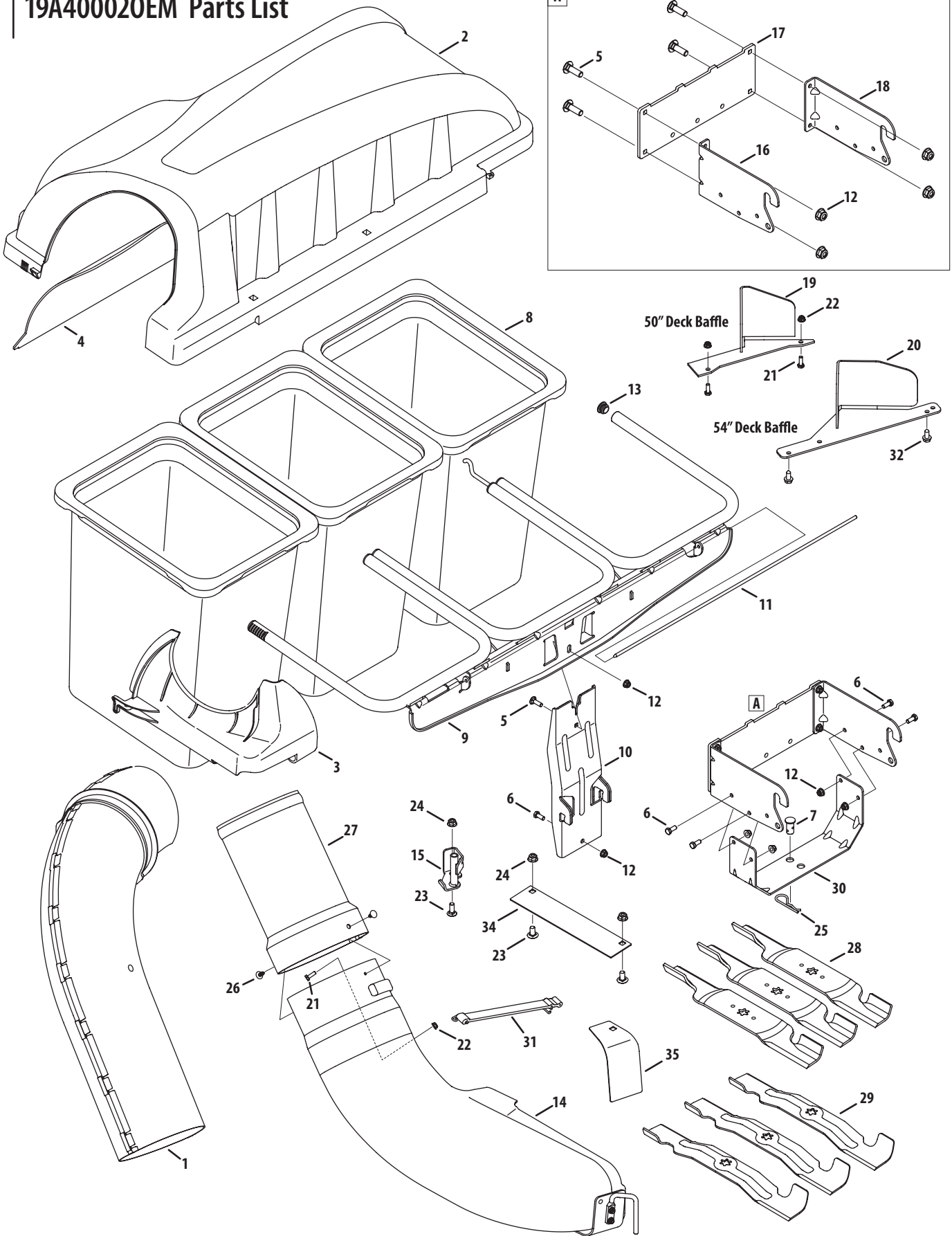
Triple Rear Bagger - Model No. 19A40002OEM

⚠ WARNING

**READ AND FOLLOW ALL SAFETY RULES AND INSTRUCTIONS IN THIS MANUAL
BEFORE ATTEMPTING TO OPERATE THIS MACHINE.
FAILURE TO COMPLY WITH THESE INSTRUCTIONS MAY RESULT IN PERSONAL INJURY.**

MTD LLC, P.O. BOX 361131 CLEVELAND, OHIO 44136-0019

19A400020EM Parts List



Ref.	Part Number	Description
1.	931-04291	Upper Chute Assembly
2.	931-04298	Triple Bagger Cover Assembly
3.	731-06497	Upper Chute Support
4.	731-06504	Bagger Cover Screen
5.	710-0276	Carriage Screw, 5/16-18 x 1.00"
6.	710-3008	Hex Head Screw, 5/16-18 x .75"
7.	711-0309A	Clevis Pin, .62" Dia.
8.	964-04096A	Grass-bag Assembly
9.	683-04498A	Triple Bag Support Assembly
10.	683-04519	Vertical Support Bracket
11.	711-05079	Cover Hinge Pin
12.	712-04063	Flange Lock Nut, 5/16-18
13.	735-0246A	End Plug
14.	631-04300A	Discharge Chute Elbow, 50/54" Deck
15.	683-0617A-0637	Chute Stop-Bracket
16.	N/A*	Hitch Bracket, RH
17.	N/A*	Universal Rear Attachment Bracket
18.	N/A*	Hitch Bracket, LH
19.	703-05783-0637	Deck Baffle, 50"
20.	703-06018A-0637	Deck Baffle, 54"
21.	710-3015	Tap Screw, 1/4 - 20 x .750 (50" Deck)
22.	712-04064	Flange Lock Nut, 1/4 - 20 (50" Deck)
23.	710-3168	Carriage Screw, 3/8 - 16 x 1.00"
24.	712-04065	Flange Lock Nut, 3/8 - 16
25.	714-0117	Internal Cotter Pin, .148 x 3.00
26.	726-3046	Ratchet Clip, .250
27.	731-06611	Bagger Chute Adapter, 7 In.
28.	742-04056C-0637	Blade, 17.90 Lg., Star Bagging
29.	942-0679	Blade, 18.50 Lg., High Lift
30.	783-05887-0637	Universal Bracket Support, RT-99/LT-5
31.	723-0476	Chute Strap
32.	710-04484	Tap Screw, 5/16-18 x .750 (54" Deck)
33.	689-00101	Mounting Bracket Kit (Incl. Ref. 16-18)
34.	783-06418	Discharge Chute Plate
35.	783-06579	Front Discharge Chute Plate

*Order Reference No. 33