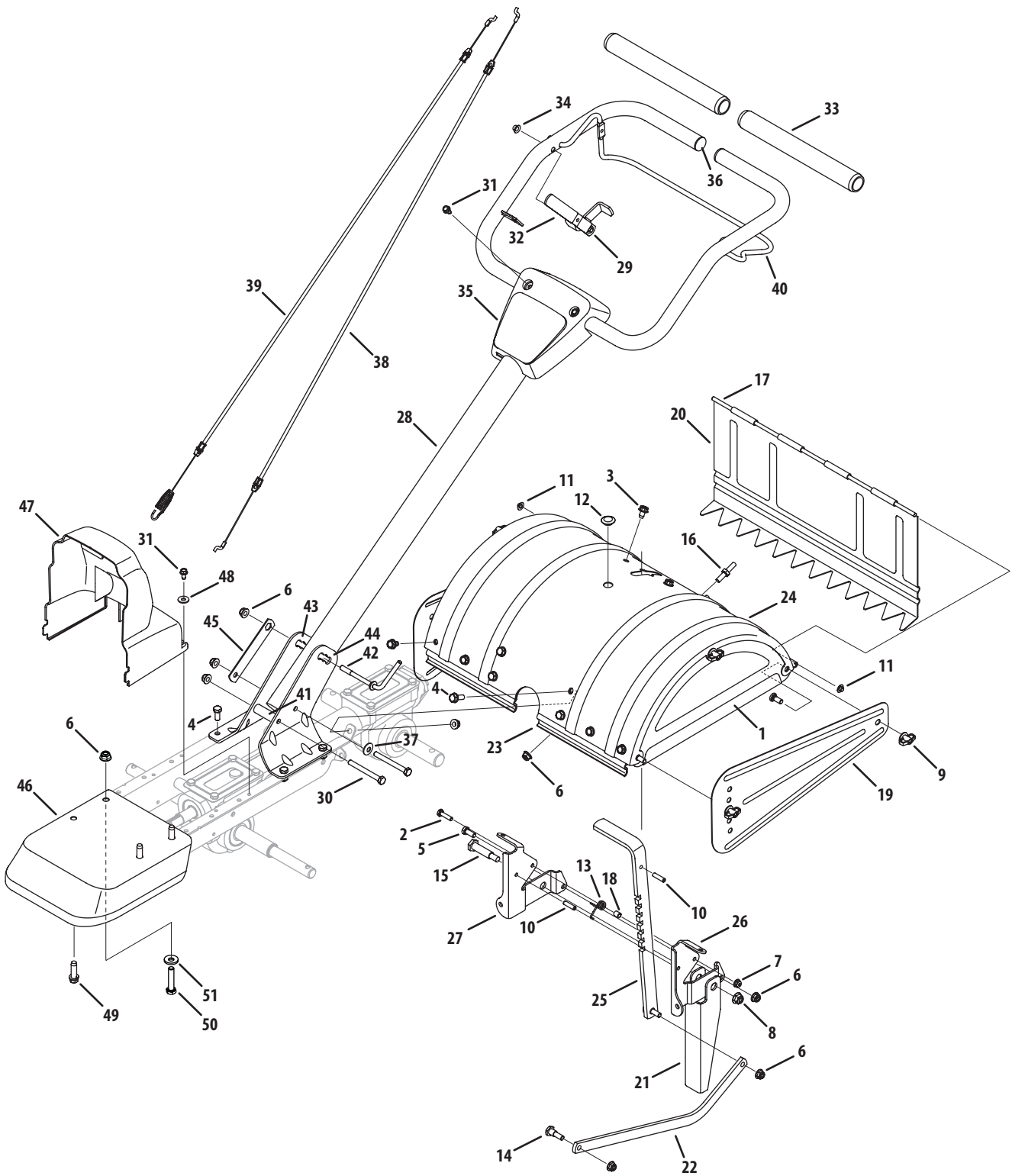


400 Series Handle & Tine Shield

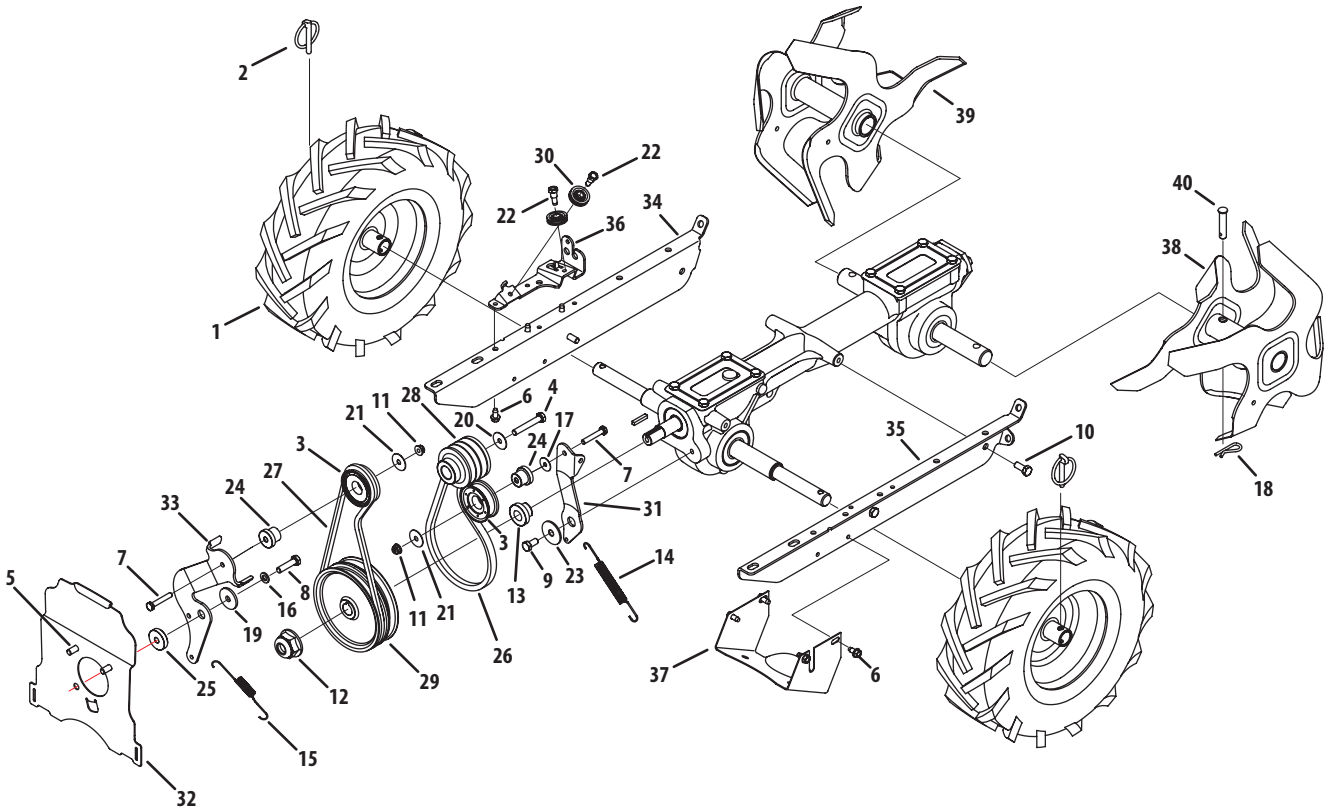


400 Series Handle & Tine Shield

Ref.	Part Number	Description
1.	686-0044B-0638	End Cover Assembly
2.	710-0597	Hex Head Screw, ¼-20 x 1
3.	710-0607	Hex Head Screw, ⅝-18 x .500
4.	710-1238	Hex Head Screw, ⅝-18 x .875
5.	710-3008	Hex Head Screw, ⅝-18 x .75
6.	712-04063	Nylon Hex Lock Nut, ⅝-18
7.	712-04064	Nylon Hex Lock Nut, ¼-20
8.	712-04065	Flange Lock Nut, ⅜-16
9.	712-0421	Wing Nut, ⅝-18
10.	715-0108	Spirol Pin
11.	726-0106	Cap Nut, ¼ Rod
12.	731-05512	Hole Plug
13.	732-04320	Torsion Spring
14.	738-04320	Shoulder Screw, .405 x .435 ⅝-18
15.	938-0533	Shoulder Screw, .498 x 1.635
16.	938-0849	Stop Screw
17.	747-0432	Tiller Flap Rod
18.	750-04556	Spacer
19.	786-0090A-0638	Side Shield
20.	786-0113A-0638	Rear Tine Shield
21.	786-04092-0638	Reverse Stop Arm
22.	786-04104-0638	Drag Bar
23.	786-04352-0638	Tine Shield Mounting Bracket
24.	786-04355-0638	Tine Shield
25.	786-04356-0638	Adjustable Depth Bar
26.	786-04363-0638	Tail Bracket, LH

Ref.	Part Number	Description
27.	786-04364-0638	Tail Bracket, RH
28.	649-04054-0638	Upper Handle Assembly
29.	686-04098-0638	Reverse Handle Assembly
30.	710-0189	Hex Head Screw, ⅝-18 x 3.00
31.	710-0599	Self-Tapping Screw, ¼-20 x ½
32.	720-0270A	Reverse Handle Grip
33.	720-0278A	Foam Handle Grip
34.	726-0135	Cap Nut, .3125 dia.
35.	731-06253	Handle Cover
36.	735-04105	Plug End
37.	736-0242	Bell Washer, .340 x .872 x .060
38.	946-04504	Reverse Cable
39.	946-04506	Forward Cable
40.	747-04789-0637	Clutch Bail
41.	750-0885A	Spacer, .322 x .625 x 2.00
42.	786-0340A	Handle Crank
43.	786-04344-0638	Handle Bracket, RH
44.	786-04345-0638	Handle Bracket, LH
45.	786-04358	Retainer Nut Bracket
46.	786-04360-0638	Front Bumper
47.	731-06529	Belt Cover
48.	736-0173	Flat Washer, .28 x .74 x .063
49.	710-0502A	SEMS Screw, ⅜-16
50.	710-0805	Hex Head Screw, ⅝-18 x 1.50
51.	736-04193	Bell Washer, .827 x .331 x .098

400 Series Drive System

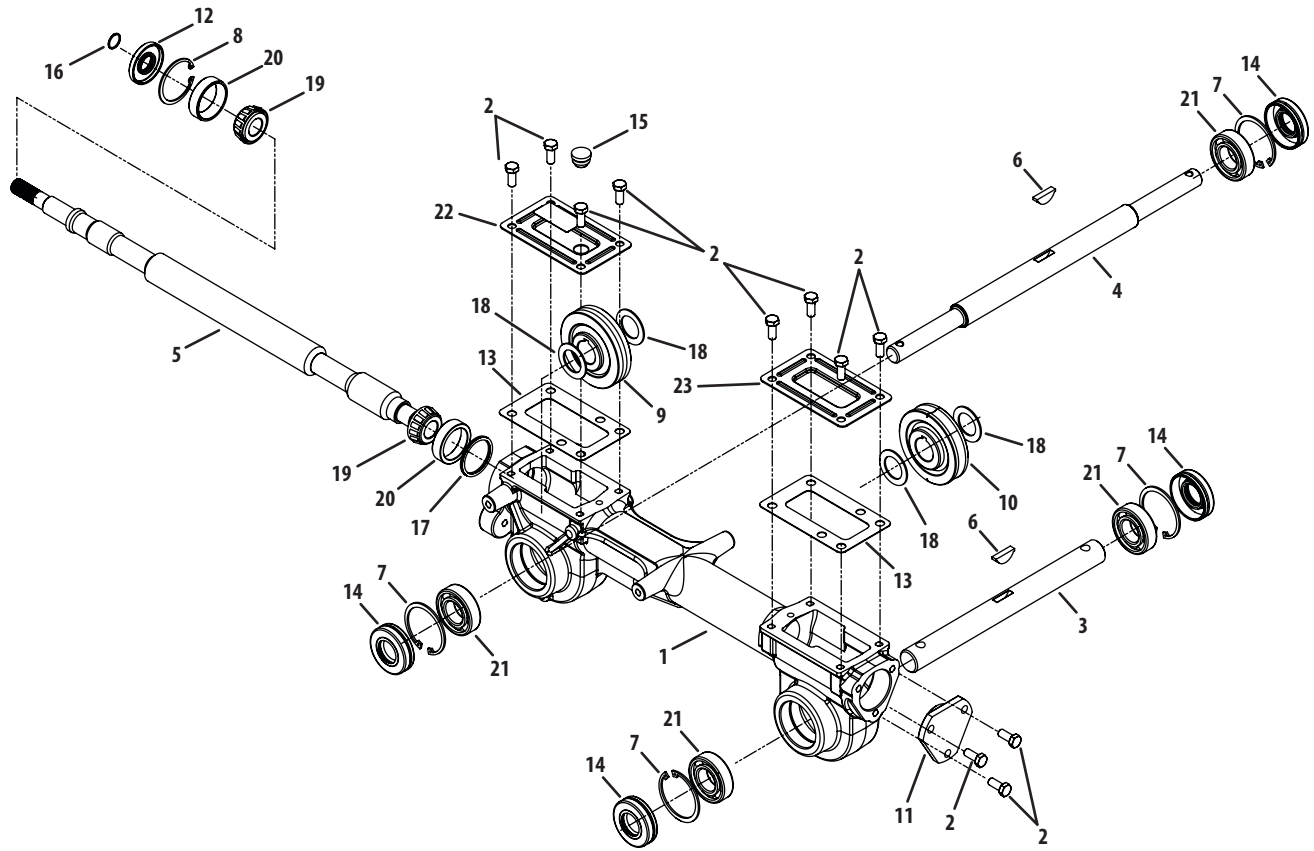


400 Series Drive System

Ref.	Part Number	Description
1.	934-04232	Complete Whl. Ass., 13 x 5 x 6 (B, C)
2.	714-0143A	Klik Pin
3.	684-04168	Idler Pulley Assembly
4.	710-0331	Hex Head Screw, 3/8-24 x 2.25
5.	710-0170	Hex Head Screw, 5/16-24 x .625
6.	710-0599	Self Tapping Screw, 1/4-20 x .500
7.	710-0606	Hex Head Screw, 1/4-20 x 1.50
8.	710-0672	Hex Head Screw, 5/16-18 x 1.25
9.	710-1880	Hex Head Screw, 5/16-18 x .75, Patch
10.	710-3008	Hex Head Screw, 5/16-18 x .75, STD
11.	712-04064	Nylon Hex Lock Nut, 1/4-20
12.	712-0700	Nut, 9/16-18, Flange Lock
13.	718-04407	Hub, 3/8 Spline
14.	732-04085	Extension Spring, .480 OD X 5.00 LG
15.	732-04276A	Extension Spring, LT5 PTO
16.	936-0119	Lock Washer, 5/16
17.	736-0173	Washer, .28 x .74 x .063
18.	914-0149B	Internal Cotter Pin
19.	736-0343	Flat Washer, .330 X 1.25 X .120
20.	936-0452	Bell Washer, .396 x 1.140 x .095

Ref.	Part Number	Description
21.	736-3092	Flat Washer, .265 x 1.0 x .030
22.	738-0924A	Shoulder Screw, .340 x .335 1/4-28
23.	748-04087A	Pivot Idler Spacer
24.	750-04571	Shoulder Spacer, .260 x .785 x .538
25.	750-04907	Pivot Idler Spacer
26.	1916657	V-Belt, 4L x 25.375 Long
27.	1916658	V-Belt, 3L x 29.125 Long
28.	756-04336A	Engine Pulley
29.	756-04355	Transmission Pulley
30.	756-0625	Cable Roller
31.	786-04312	Idler Bracket, Forward
32.	786-04343-0638	Cover Plate
33.	786-04346	Idler Bracket, Reverse
34.	786-04350-0638	Mounting Frame, RH
35.	786-04351-0638	Mounting Frame, LH
36.	786-04357-0638	Pulley Bracket
37.	786-04371-0638	Pulley Shield
38.	642-04071-0638	Tine Assembly, LH
39.	642-04072-0638	Tine Assembly, RH
40.	911-0415	Clevis Pin, .375 x 1.75

400 Series Transmission Assembly



400 Series Transmission Assembly

Ref.	Part Number	Description
	918-04815	Transmission Assembly
1.	919-04184	Housing, Transmission
2.	710-3008	Hex Screw, 5/16-18, .75, Gr5
3.	911-04844	Shaft, Tiller
4.	911-04854	Shaft, Wheel
5.	911-05028	Shaft, Worm
6.	714-04059	Key, Hi Pro .25 x 1.062
7.	716-0204	Retaining Ring
8.	716-04102	Retaining Ring, Int
9.	917-04380	Worm Gear, 61t, RH
10.	917-04381	Worm Gear, 30t, LH
11.	918-04435	Bearing Cover
12.	921-04030	Seal, Oil, .750 Shaft x 1.783 Bore
13.	921-04229	Gasket, Gear Housing
14.	721-04232	Seal, Oil, 1.00 Shaft x 2.00 Bore
15.	721-04271	Rubber Plug, Oil
16.	732-0614	Wire Ring
17.	736-04305	Washer, Flat, 1.50 x 1.75 x .062
—	736-04306	Washer, Flat, 1.50 x 1.75 x .005
—	736-04307	Washer, Flat, 1.50 x 1.75 x .03
—	736-04308	Washer, Flat, 1.50 x 1.75 x .010
18.	736-0745	Washer, Flat, 1.010 x 1.56 x .060
19.	941-04298	Cone Bearing
20.	941-04299	Bearing Cup
21.	741-3114	Ball Bearing
22.	786-04366	Cover, Transmission
23.	786-04392	Cover, Transmission

* — The flat washers listed are used as required to obtain .005 to .015 in allowable end play on the drive shaft.