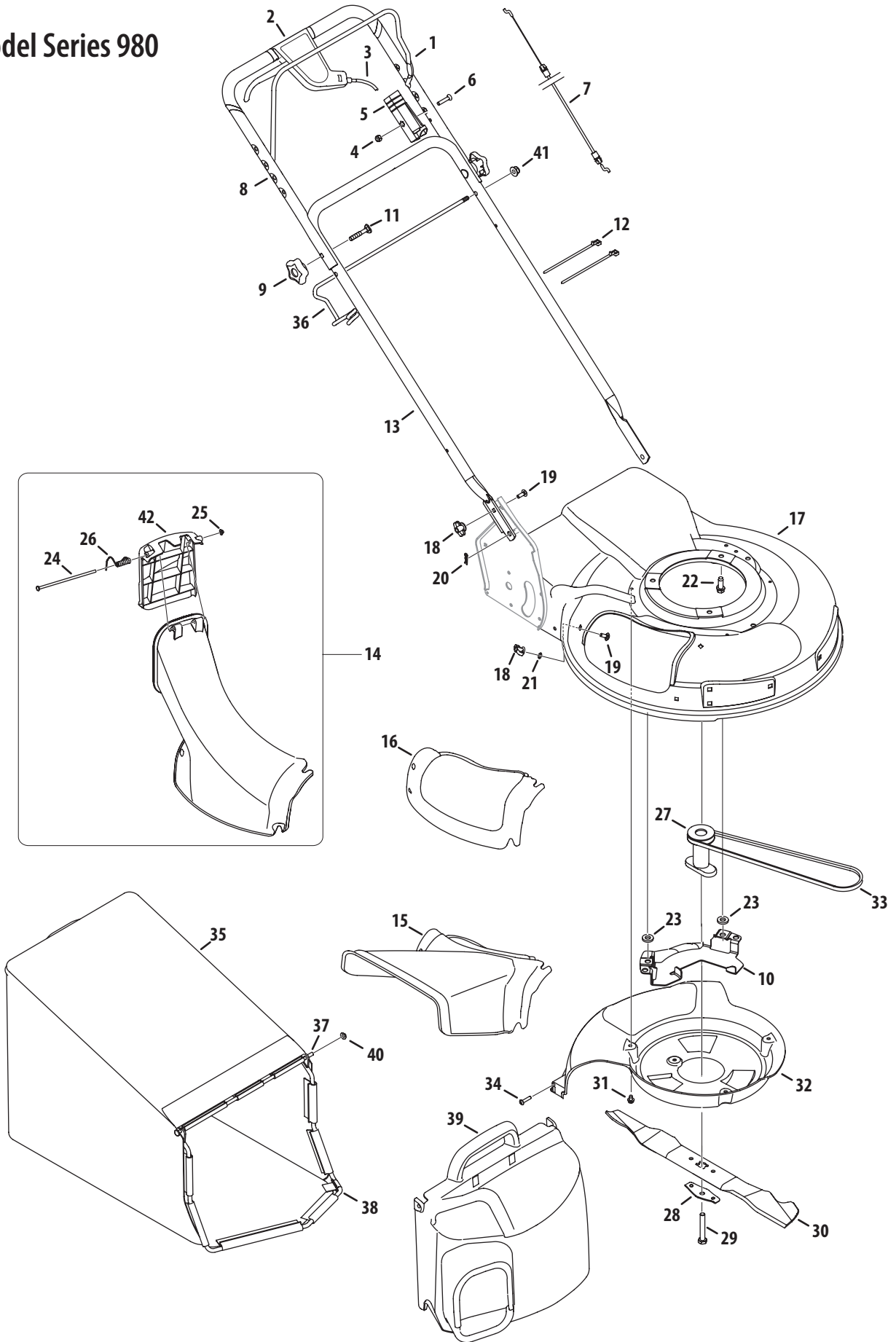


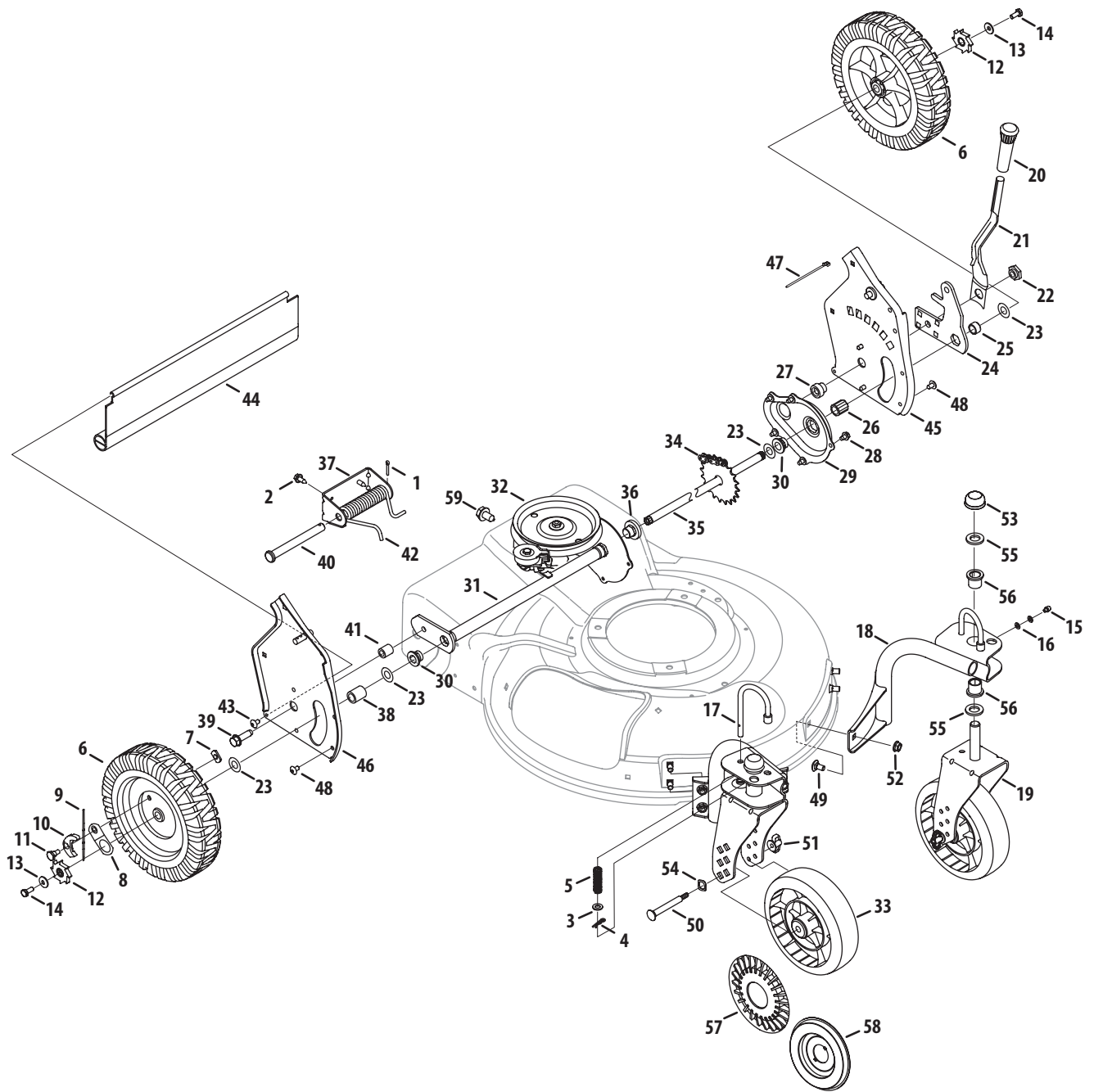
# Model Series 980



Ref No.	Part Number	Description
1	747-0824-0637	Control Lever
2	753-06060	Control Lever Assembly
3	746-0711B	Drive Cable
4	712-0324	Top Lock Nut 1/4-20
5	746-0883	Control Housing
6	710-1270	Oval C-Sunk Screw
7	946-04625	Control Cable
8	749-0439E-0637	Upper Handle
9	720-04072	Star Knob
10	782-9063A-0637	Belt Keeper
11	710-1174	Carriage Bolt 5/16-18 x 2.0
12	926-0240	Cable Tie
13	749-0907B	Lower Handle
14	931-0066	Chute Assembly
15	731-1832	Side-Discharge Chute
16	931-1833A	Mulch Cover
17	782-0078B-0691	Deck 21-inch
18	912-0397	Wing Nut
19	710-0703	Carriage Bolt 1/4-20 x .75"
20	914-0104	Cotter Pin
21	726-0233	Push Nut .25 x ID x .50 OD

Ref No.	Part Number	Description
22	710-0654A	Sems Screw 3/8-16 x 1.00
23	736-3010	Washer, Flat, .407 x .812 x .135
24	747-0965	Pivot Rod
25	726-0111	Push Cap
26	732-0819	Torsion Spring
27	948-04015A	Blade Adapter
28	736-0524B	Blade Bell Support
29	710-1257	Hex Bolt 3/8-24 x 2.5
30	942-04276S	21" Mulching Blade
31	710-0653	Screw 1/4-20 x 3.75
32	731-1828	Baffle
33	954-0460	Belt 3/8 x 39.24
34	710-0895	HL Screw 1/4-15 x .75
35	964-0076A	Grass Catcher
36	747-0940A-0637	Support Rod w/ Rope Guide
37	747-0939	Pivot Rod
38	747-0937-0637	Grass Bag Frame
39	631-0071	Grass Bag Cover
40	926-0106	Cap Nut
41	712-04063	Hex Nut 5/16-18
42	731-1874	Chute Door

# Model Series 980



Ref No.	Part Number	Description
1	914-0474	Cotter Pin
2	710-1652	Screw 1/4-14 x .825
3	936-0264	Flat Washer.330 ID x.630 OD
4	914-0104	Cotter Pin
5	932-0306A	Compression Spring
6	734-2044	Wheel, 9 x 2.125
7	912-0414	Top Lock Tab Weld Nut 1/4-20
8	16855	Ratchet Pawl Plate
9	10622BP	Plastic Spring Ratchet
10	748-0381	Pawl RH
	948-0188B	Pawl LH
11	938-0137A	Shlder Screw.340 ID x.285 OD
12	948-0318	Wheel Ratchet
13	736-0270	Bell Washer.265 ID x.75 OD
14	710-0751	Hex Cap Screw 1/4-20 x.620
15	937-3000	Grease Fitting
16	736-0931	Flat Washer.203 ID x.403 OD
17	747-0924	Wheel Pin Lock
18	682-9020A-0691	Caster Assembly RH
	682-9021A-0691	Caster Assembly LH
19	682-9024-0691	Caster Bracket Assembly RH
	682-9026-0691	Caster Bracket Assembly LH
20	720-0223	Grip
21	732-0803A	Spring Lever
22	938-0529	Shoulder Nut.825 x .165 Lg.
23	936-0369	Flat Washer .508 ID x 1.0 OD
24	782-0566B-0637	Pivot Arm Assembly
25	750-0515	Spacer .510 ID x .70 OD
26	741-0978	Slv Bearing .504 ID x .830 OD
27	950-1056	Shlder Spacer, .385ID x .715Lg
28	710-0653	Tap Screw 1/4-20 x .375

Ref No.	Part Number	Description
29	682-7528-0637	Chain Cover Assembly
30	741-0324A	Flge Bearing .506 ID x .590 Lg
31	682-7526-0637	Transmission Axle Assembly
32	918-0263A	Transmission Ass'y Complete
33	734-1857	Wheel 7 x 2
34	913-0453	Chain
35	638-0012	Rear Axle Assembly
36	941-0522	Flge Bearing .506 ID x .715 Lg
37	782-0568-0637	Height Adjustment Spring Brkt.
38	950-0151	Spacer .550 ID x .750 OD
39	710-1315	Screw 3/8-16 x .25
40	911-0835	Clevis Pin .50 Dia x 4.82 Lg.
41	750-0807	Spacer .385 ID x .624 OD
42	732-0832	Torsion Spring
43	710-0779A	Screw, AB, #10-16 x .500
44	731-06874	Trail Shield
45	687-02495	Handle Bracket Assembly - LH
46	687-02494	Handle Bracket Assembly - RH
47	725-0157	Cable Tie
48	710-1348	Screw 1/4-14 x.500
49	710-0260A	Carriage Bolt 5/16-18 x.62
50	911-1146	Caster Axle
51	912-0397	Wing Nut
52	712-04063	Flange Lock Nut 5/16-18
53	726-0214	Push Cap
54	936-0232	Wave Washer.531 ID x.781 OD
55	736-0366	Flat Washer.640 ID x 1.12 OD
56	741-0685	Flange Bearing
57	731-1887	Hubcap - Spoke w/ Hole
58	731-07001	Hubcap - Radial Spoke
59	710-0604A	Screw, 5/16-18 x .625