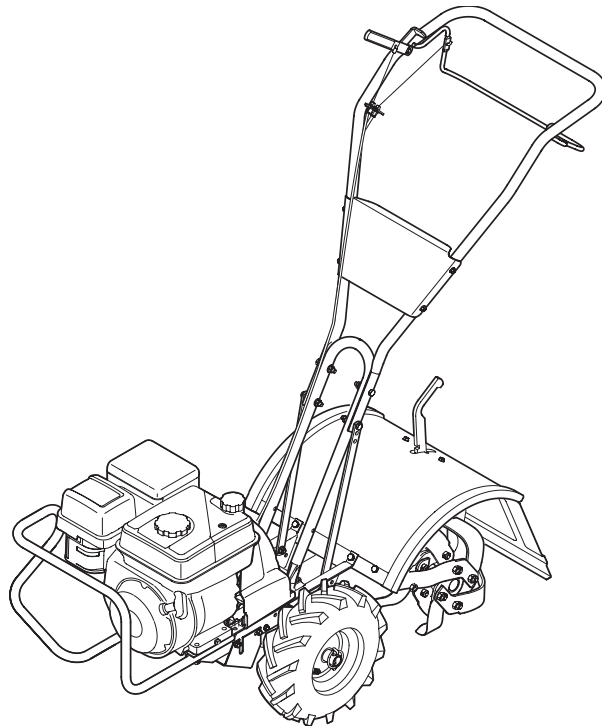




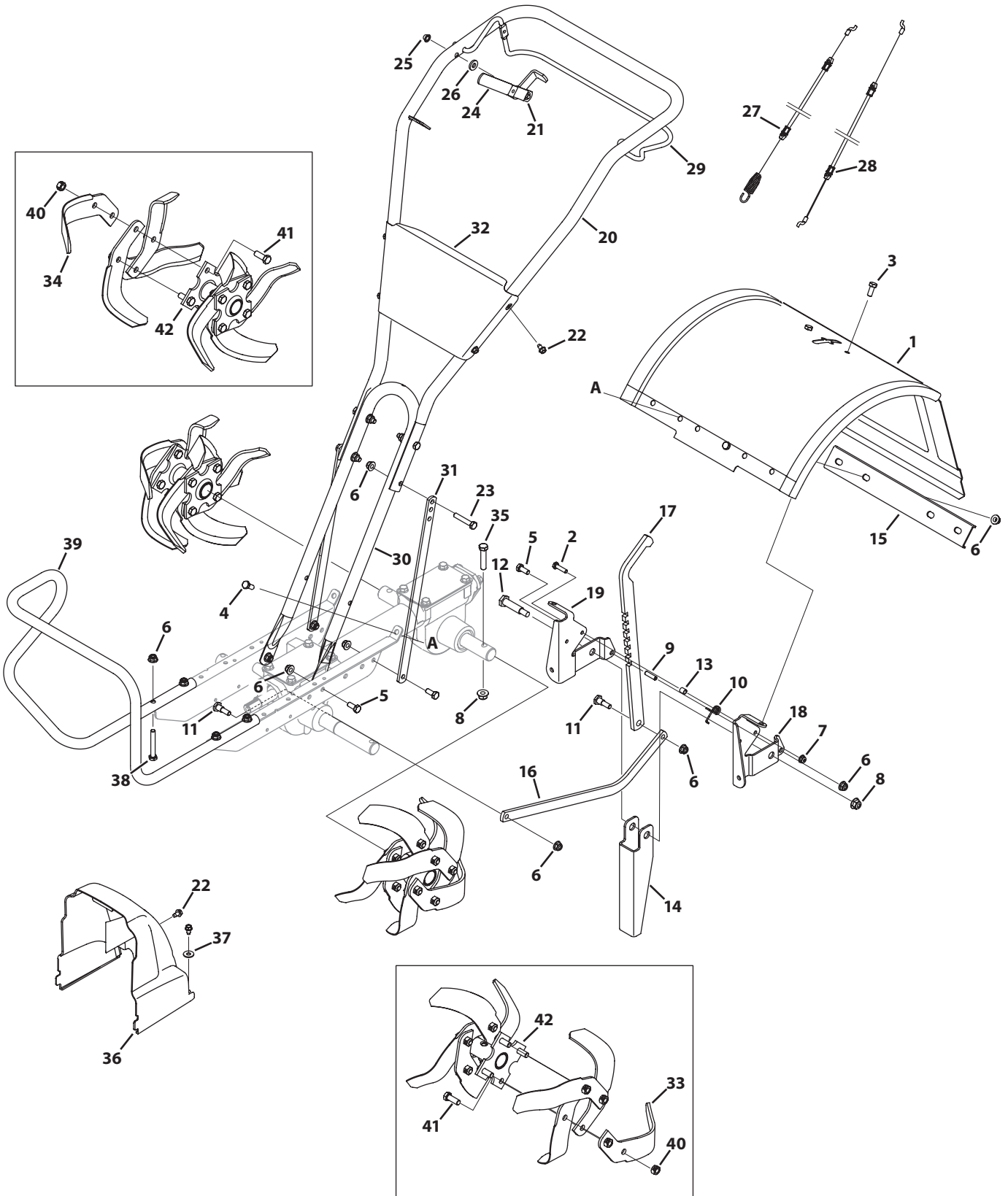
ILLUSTRATED PARTS MANUAL



Small Frame Tiller - 64 & 65 Series

TROY-BILT LLC, P.O. BOX 361131 CLEVELAND, OHIO 44136-0019

64 & 65 Series Handle, Tine Shields, and Tines

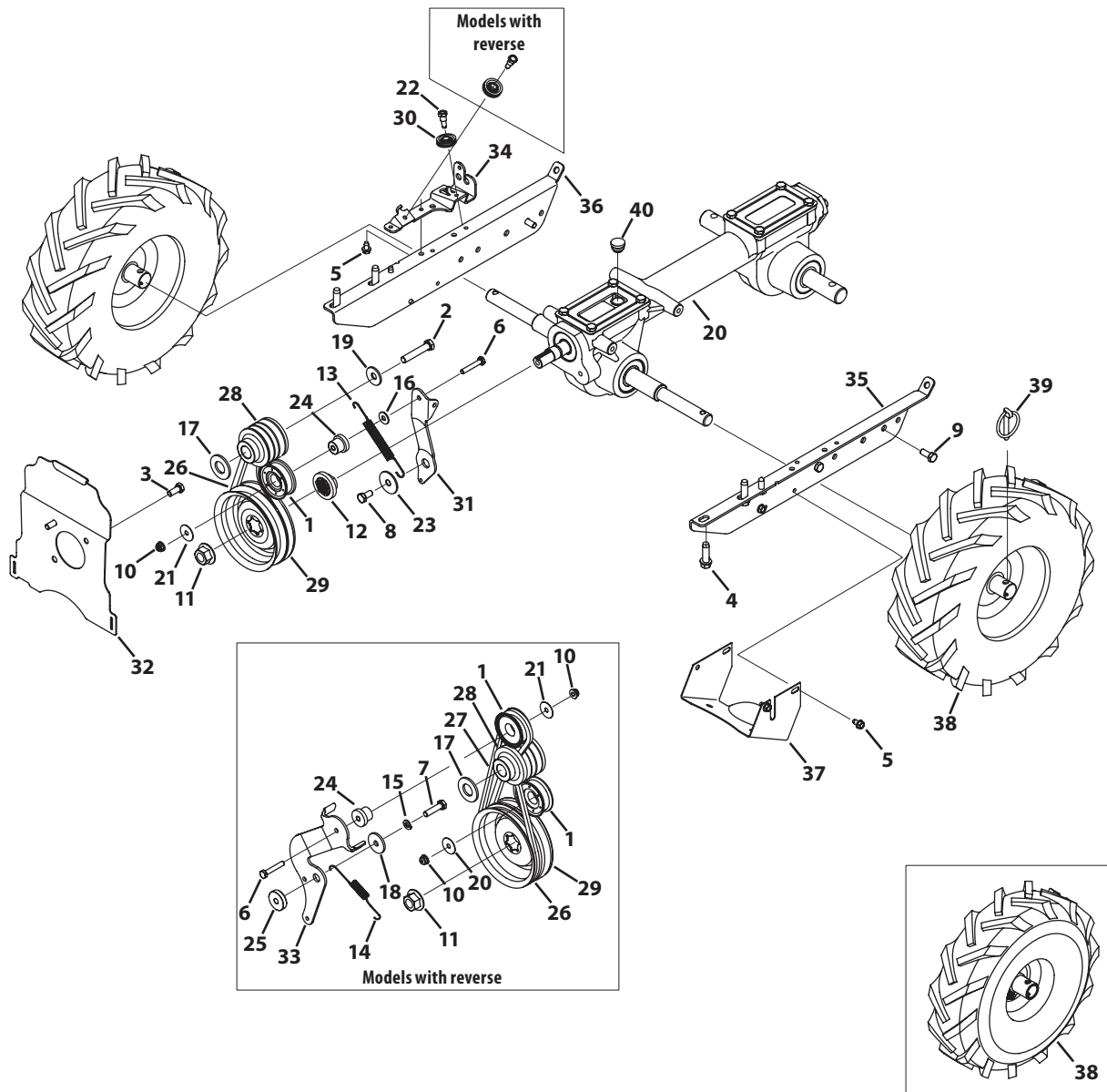


64 & 65 Series Bronco Handle, Tine Shields, and Tines

Ref.	Part Number	Description	Ref.	Part Number	Description
1*	686-04077-0638	Tine Shield Assembly	22	710-0599	Screw, 1/4-20 x 0.500
1	686-04076-0638	Tine Shield Assembly	23	710-0805	Hex Head Screw, 5/16-18 x 1.50
2	710-0597	Hex Head Screw, 1/4-20 x 1.00	24*	720-0270A	Reverse Handle Grip
3	710-0604A	Screw, 5/16-18 x 0.625	25*	726-0135	Speed Nut, Cap, .3125 DIA.
4	710-1238	Hex Head Washer, 5/16-18 x .875	26*	936-3008	Flat Washer, .344 x .750 x .120
5	710-3008	Hex Head Screw, 5/16-18 x .75	27	746-04413	Forward Cable
6	712-04063	Flangelock Nut, 5/16-18	28*	746-04414	Reverse Cable
7	712-04064	Flangelock Nut, 1/4-20	29	747-04789-0637	Clutch Bail
8	712-04065	Flangelock Nut, 3/8-16	30	749-04208-0638	Lower Handle
9	715-0108	Spring Pin, 1/4 DIA x 1.00 LG	31	786-04188-0638	Support Handle Bracket
10	732-04320	Torsion Spring	32	786-04200-0638	Handle Panel
11	738-04320	Screw, Shoulder, 5/16-18 x .405 x .435	33	742-04226	LH Bolo Tine
12	938-0533	Screw, Shoulder, \$r .498 x 1.635	34	742-04227	RH Bolo Tine
13	750-04556	Spacer, Split, .350 x .268 x .375	35	710-0347	Hex Head Screw, 3/8-16 x 1.75
14	786-04092-0638	Stop Reverse Arm	36	731-06170	Belt Cover
15	786-04098-0638	Support Channel Bracket	37	736-0173	Washer, Flat, .28 x .74 x .063
16	786-04104-0638	Depth Drag Bar	38*	710-0395	Hex Head Screw, 5/16-18 x 2.25
17	786-04292-0638	Depth Adjuster Bar	39*	749-04193-0637	Bumper
18	786-04363-0638	LH Tail Bracket	40	912-3000	Nut, Hexlock, 3/8-16
19	786-04364-0638	RH Tail Bracket	41	710-0514	Hex Head Screw, 3/8-16 x 1.00
20	649-04066-0638	Upper Handle Assembly	42*	686-04065-0637	Tine Holder Assembly
21*	686-04098-0638	Reverse Handle Assembly	42	686-04066	Tine Holder Assembly

* 65 Series

64 & 65 Series Drive System



64 & 65 Series Drive System

Ref.	Part Number	Description
1	684-04168	Idler Pulley Assembly, 1.917 OD
2	710-0151	Hex Head Screw, 3/8-24 x 2.00
3	710-0170	Hex Head Screw, 5/16-24 x .625
4	710-0502A	Screw, 3/8-16 x 1.250
5	710-0599	Screw, 1/4-20 x 0.500
6	710-0606	Hex Head Screw, 1/4-20 x 1.50
7	710-0672	Hex Head Screw, 5/16-24 x 1.25
8	710-1880	Hex Head Screw, 5/16-18 x .75, Patch
9	710-3008	Hex Head Screw, 5/16-18 x .75, Std.
10	712-04064	Flangelock Nut, 1/4-20
11	712-0700	Flange Nut, 9/16-18
12	718-04407	Pulley Hub, 5/8 SPLINE
13	732-04085	Extension Spring, .480 OD x 5.00 LG
14	732-04276A	Extension Spring, LT5 PTO
15	936-0119	Washer, Lock, 5/16
16	736-0173	Washer, Flat, .28 x .74 x .063
17	736-0315	Washer, Flat, .760 x 1.50 x .120
18	736-0343	Washer, Flat, .330 x 1.25 x .120
19	936-0452	Washer, Bell, .396 x 1.140 x .095
20	753-06042	Transmission Assembly
21	736-3092	Washer, Flat, .265 x 1.0 x .030

Ref.	Part Number	Description
22	738-0924A	Screw, Shoulder, 1/4-28 x .340 x .335
23	748-04087A	Forward Idler Pivot Spacer
24	750-04571	Spacer, Shoulder, .260 x .785 x .538
25	750-04907	Reverse Idler Pivot Spacer
26	1916657	V Belt, 4L x 25.375 LG
27	1916658	V Belt, 3L x 29.125 LG
28	756-04198A	Engine Pulley, 3L & 4L
29	756-04355	Transmission Pulley
30	756-0625	Cable Roller
31	786-04312	Forward Idler Bracket
32	786-04343-0638	Cover Mounting Plate
33	786-04346	Reverse Idler Bracket
34	786-04357-0638	Pulley Mounting Bracket
35	786-04367-0638	LH Mount Frame
36	786-04368-0638	RH Mount Frame
37	786-04371-0638	Pulley Shield
38	934-04232	Wheel, 13 x 5 x 6
*	934-04453	Wheel Assembly, 11 x 4-4
39	714-0143A	Klik Pin, .25 DIA x 1.56
40	721-04271	Oil Plug

* 64 Series

64 & 65 Series Transmission

Ref.	Part Number	Description
1	919-04202	Transmission Housing
2	710-3008	Hex Head Screw, 5/16-18 x .75
3	911-04844	Tiller Shaft
4	911-04854	SHF:WHL
5	911-04882	CRT Drive Shaft
6	714-04059	Key, .25 x 1.062
7	716-0204	Retainer Key
8	716-04102	Retainer Ring
9	917-04380	RH Gear Worm, 61T
10	917-04381	LH Gear Worm, 30T
11	918-04435	Bearing Cover
12	921-04030	Oil Seal, .750 SHF x 1.783 BORE
13	941-04298	Cone Bearing
14	921-04229	Gear Housing Gasket
15	721-04232	Oil Seal, 1.00 SHF x 2.00 BORE
16	721-04271	Rubber Oil Plug
17	736-04305	Washer, Flat, 1.50 x 1.75 x .062
18	736-04306	Washer, Flat, 1.50 x 1.75 x .005
19	736-04307	Washer, Flat, 1.50 x 1.75 x .03
20	736-04308	Washer, Flat, 1.50 x 1.75 x .010
21	736-0745	Washer, Flat, 1.010 x 1.56 x .060
22	941-04299	Cup Bearing
23	786-04366	Tiller Transmission Cover
24	786-04392	Tiller Transmission Cover
25	741-3114	Ball Bearing, 1 x 52 x 15 x 6205-1