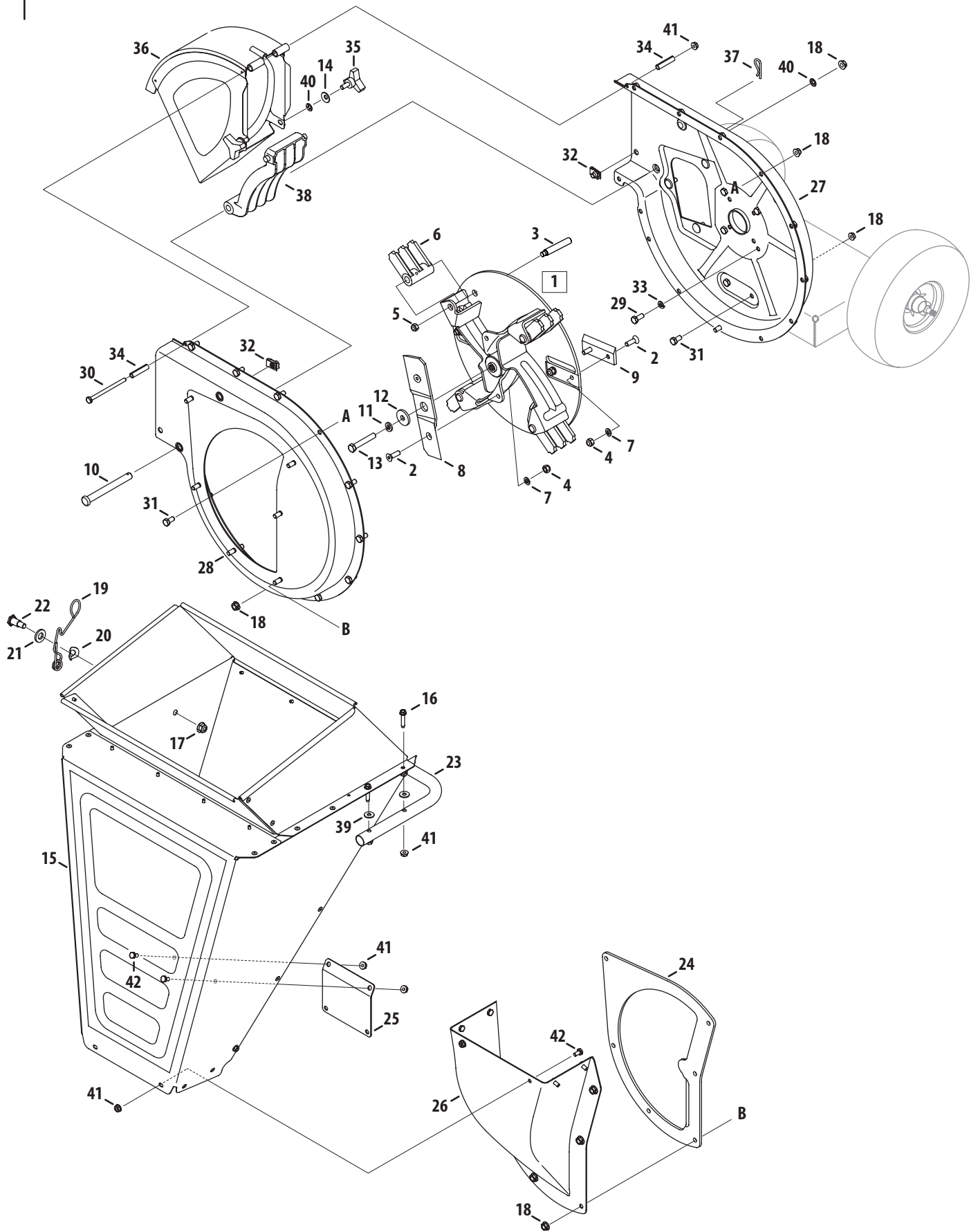


# Model Series 410 & 420



## Model Series 410 & 420

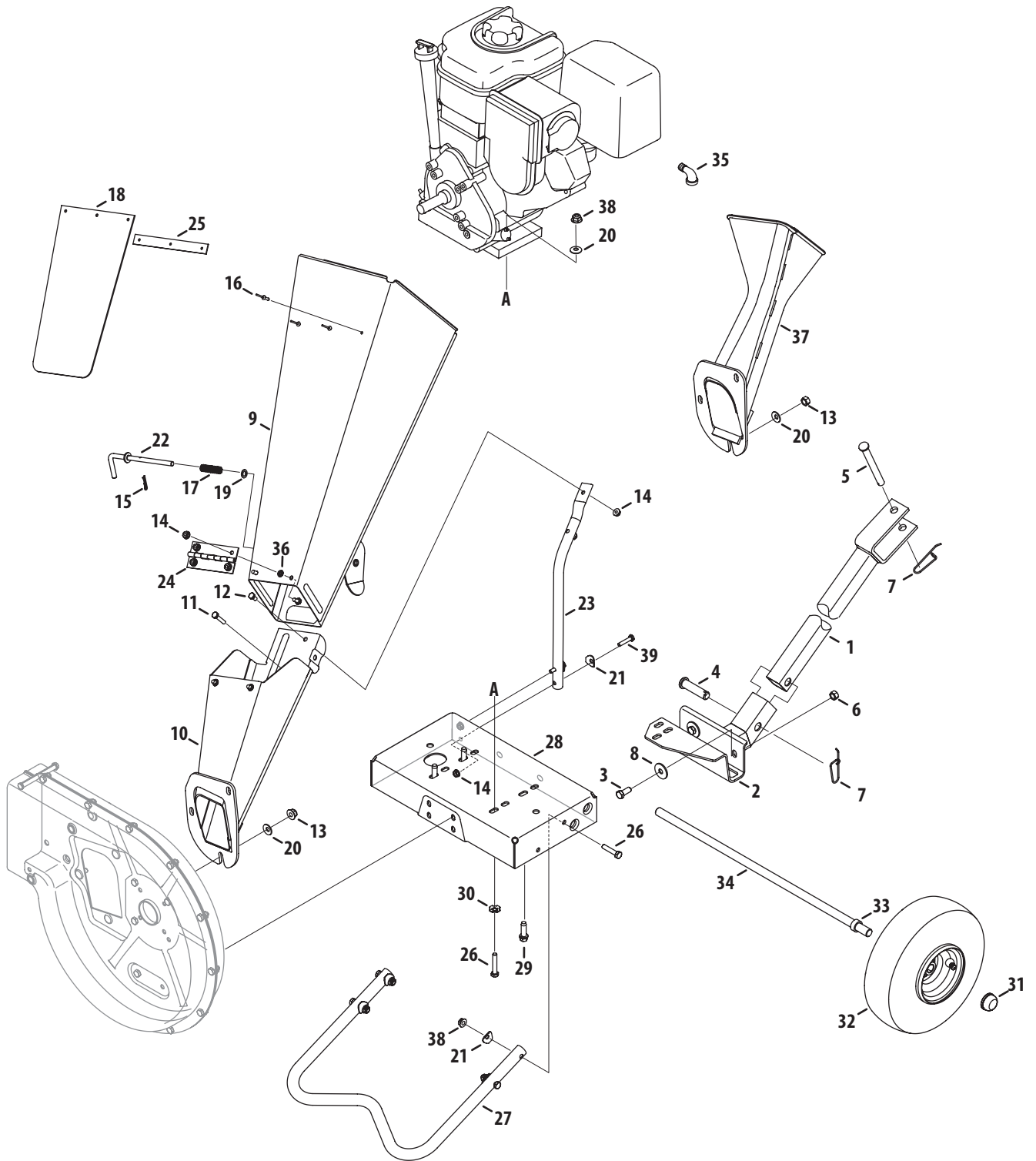
Ref No.	Part Number	Description
1	981-04094	Impeller Assembly Complete
2	710-1054	Machine Screw, 5/16-24 x 1.0
3	738-04286	Shoulder Pin, .5 x 2.625
4	912-0411	Hex Lock Nut, 5/16-24
5	712-0266A	Nut, Jam Lock, 3/8-16
6	719-04308	Flail Blade
7	936-0119	Lock Washer, 5/16
8	942-04050	Shredder Blade
9	942-0544	Chipper Blade
10	911-0835	Clevis Pin,.50 x 4.62
11	936-0217	Lock Washer, 3/8
12	736-0247	Flat Washer,.406 x 1.25
13	710-1254	Hex Cap Screw, 3/8-24 x 2.2
14	736-0242	Bell Washer.340 ID x.872 OD
15	681-04011-0638	Shredder Hopper Assembly
16	710-0809	Hex Cap Screw, 1/4-20 x 1.250
17	712-04065†	Flange Lock Nut, 3/8-16
18	712-04063	Flange Lock Nut, 5/16-18
19	932-04167†	Torsion Spring
20	736-0182†	Spring Washer,.50 x 1.0 x.022
21	936-0326†	Flat Washer,.50 x 1.0 x.0125

Ref No.	Part Number	Description
22	738-0430†	Shoulder Screw, 3/8-16,
23	749-04103-0637	Hopper Handle
24	781-04007-0638	Shredder Plate
25	781-04027-0638	Hopper Support Bracket
26	781-04033-0638	Inlet Guide
27	681-0117-0638	Inner Flail Housing Assembly
28	681-04002-0638	Outer Flail Housing Assembly
29	710-0157	Hex Cap Screw, 5/16-24 x.75
30	710-0825	Hex Cap Screw, 1/4-20 x 3.75
31	710-3025	Hex Cap Screw, 5/16-18 x.625
32	926-0211	U-Nut, 5/16-18
33	936-0119	Lock Washer, 5/16
34	950-0793	Hinge Spacer,.265 x.380 x 1.66
35	720-0170	Knob, 5/16-18
36	681-0094-0637	Chute Deflector Assembly
37	914-0149B	Internal Cotter Pin
38	719-04070	Shredder Screen
39	736-0173	Flat Washer,.28 x.74 x.063
40	726-0201	Speed Nut,.3125ID
41	712-04064	Nut, Flange, Lock, 5/16-18
42	710-0599	TT Screw, 1/4-20 x.5

† Model Series 420

†† Model Series 410

# Model Series 410 & 420



## Model Series 410 & 420

Ref No.	Part Number	Description	Ref No.	Part Number	Description
1	981-0133-0637	Tongue Hitch Mount	22	947-04163†	Lock Rod
2	681-0134A-0637	Base Hitch Mount	23	749-1004-0638†	Chipper Chute Support
3	710-3001	Hex Cap Screw, 3/8-16 x.88	24	981-04032†	Chipper Chute Hinge
4	711-0299	Clevis Pin,.625 x 2.4	25	781-0633†	Chute Flap Strip
5	911-0835	Clevis Pin,.50 x 4.62	26	710-0805	Hex Cap Screw, 5/16-18 x 1.50
6	712-04065	Flange Lock Nut, 3/8-16	27	749-04104-0637	Tube Support
7	732-0194	Spring Pin	28	681-0184-0638B††	Frame Assembly
8	936-0133	Flat Washer,.411 x 1.25 x 1.0		681-0183A-0638†	Frame Assembly
9	681-04006-0638†	Upper Chipper Chute Assembly	29	710-0502A	Hex Sems Screw, 3/8-16 x 1.25
10	681-04007-0638†	Lower Chipper Chute Assembly	30	936-0170	Special Lock Washer, 5/16
11	710-0106†	Hex Cap Screw, 1/4-20 x 1.25	31	726-0214	Push Cap, 5/8
12	710-3013†	Screw, 1/4-20 x .50	32	634-04009	Wheel, 10 x 4 x 4
13	912-3010	Hex Nut, 5/16-18	33	950-0786	Spacer, .64 x .88 x .38
14	712-04064†	Flange Lock Nut 1/4-20	34	738-0813	Axle, 22.47"
15	914-0104†	Cotter Pin	35	937-0195	Elbow Fitting
16	728-0175†	Pop Rivet	36	726-0233†	Push Nut,.25ID x.50OD
17	932-0306A†	Compression Spring,.531 x 1.75	37	681-0095-0638††	Chipper Chute
18	735-0249A†	Chute Flap	38	712-04063	Flange Lock Nut, 5/16-18
19	936-0140†	Flat Washer	39	710-0809	Hex Cap Screw, 1/4-20 x 1.250
20	736-0242	Bell Washer.340 ID x.872 OD	—	964-04023*	Debris Collection Bag
21	936-0451	Washer,.320 ID x.93 OD	—	723-0400*	Safety Glasses

† Model Series 420

†† Model Series 410

\* Not Shown