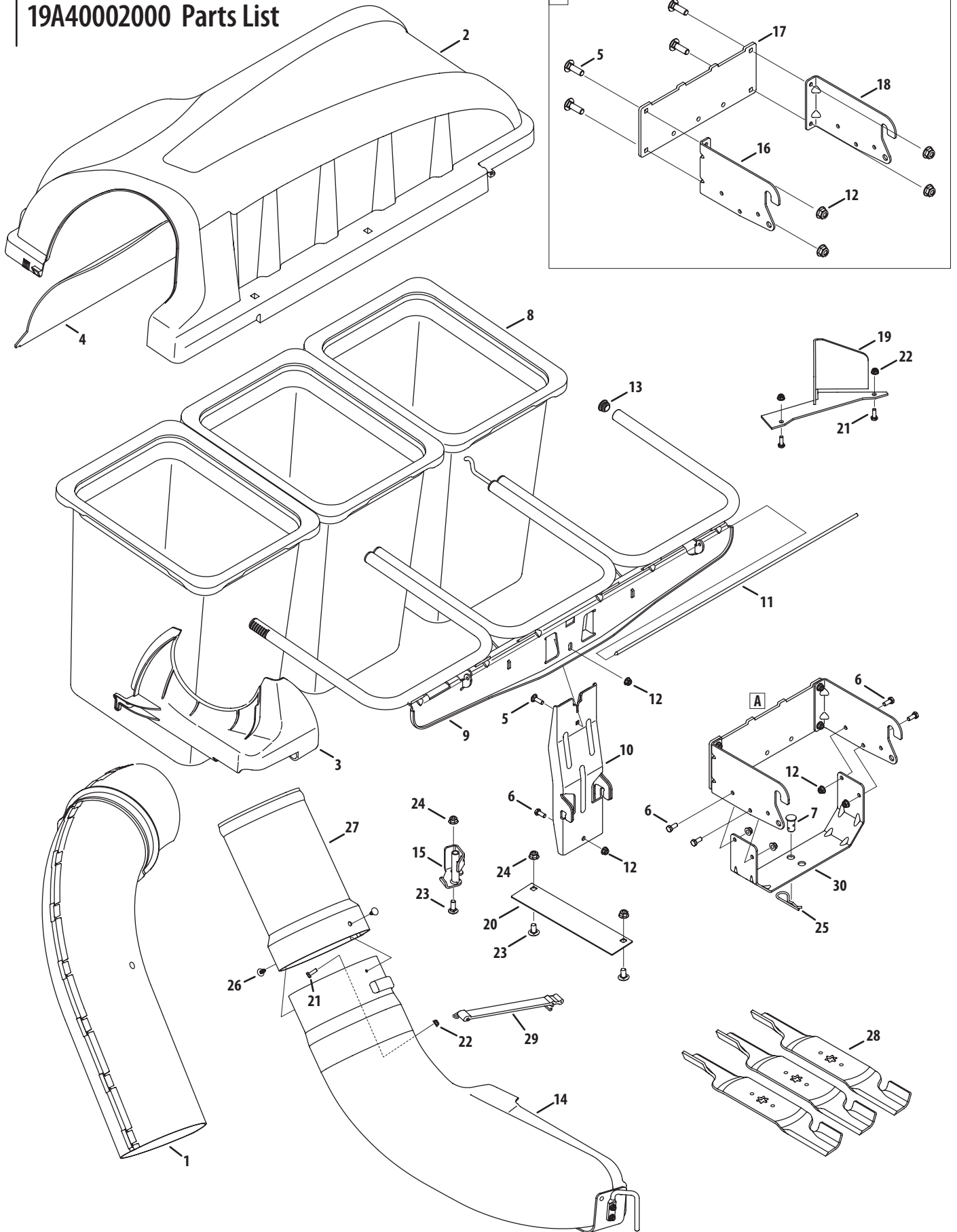


19A40002000 Parts List



Ref.	Part Number	Description
1.	931-04291	Upper Chute Assembly
2.	931-04298	Triple Bagger Cover Assembly
3.	731-06497	Upper Chute Support
4.	731-06504	Bagger Cover Screen
5.	710-0276	Carriage Screw, 5/16-18 x 1.00"
6.	710-3008	Hex Head Screw, 5/16-18 x .75"
7.	711-0309A	Clevis Pin, .62" Dia.
8.	964-04096	Grass-bag Assembly
9.	683-04498	Triple Bag Support Assembly
10.	683-04519	Vertical Support Bracket
11.	711-05079	Cover Hinge Pin
12.	712-04063	Flange Lock Nut, 5/16-18
13.	735-0246A	End Plug
14.	631-04300	Discharge Chute Elbow
15.	683-0617A-0637	Chute Stop-Bracket
16.	N/A*	Hitch Bracket, RH
17.	N/A*	Universal Rear Attachment Bracket
18.	N/A*	Hitch Bracket, LH
19.	703-05783-0637	Deck Baffle
20.	783-06418	Discharge Chute Plate
21.	710-3015	Tap Screw, 1/4 - 20 x .750
22.	712-04064	Flange Lock Nut, 1/4 - 20
23.	710-3168	Carriage Screw, 3/8 - 16 x 1.00"
24.	712-04065	Flange Lock Nut, 3/8 - 16
25.	714-0117	Internal Cotter Pin, .148 x 3.00
26.	726-3046	Ratchet Clip, .250
27.	731-06611	Bagger Chute Adapter, 7 In.
28.	742-04056C-0637	Blade, 17.90 Lg., Star Bagging
29.	723-0476	Chute Strap
30.	783-05887-0637	Universal Bracket Support, RT-99/LT-5
31.	689-00101	Mounting Bracket Kit <i>(Incl. Ref. 16-18)</i>

*Order Reference No. 31