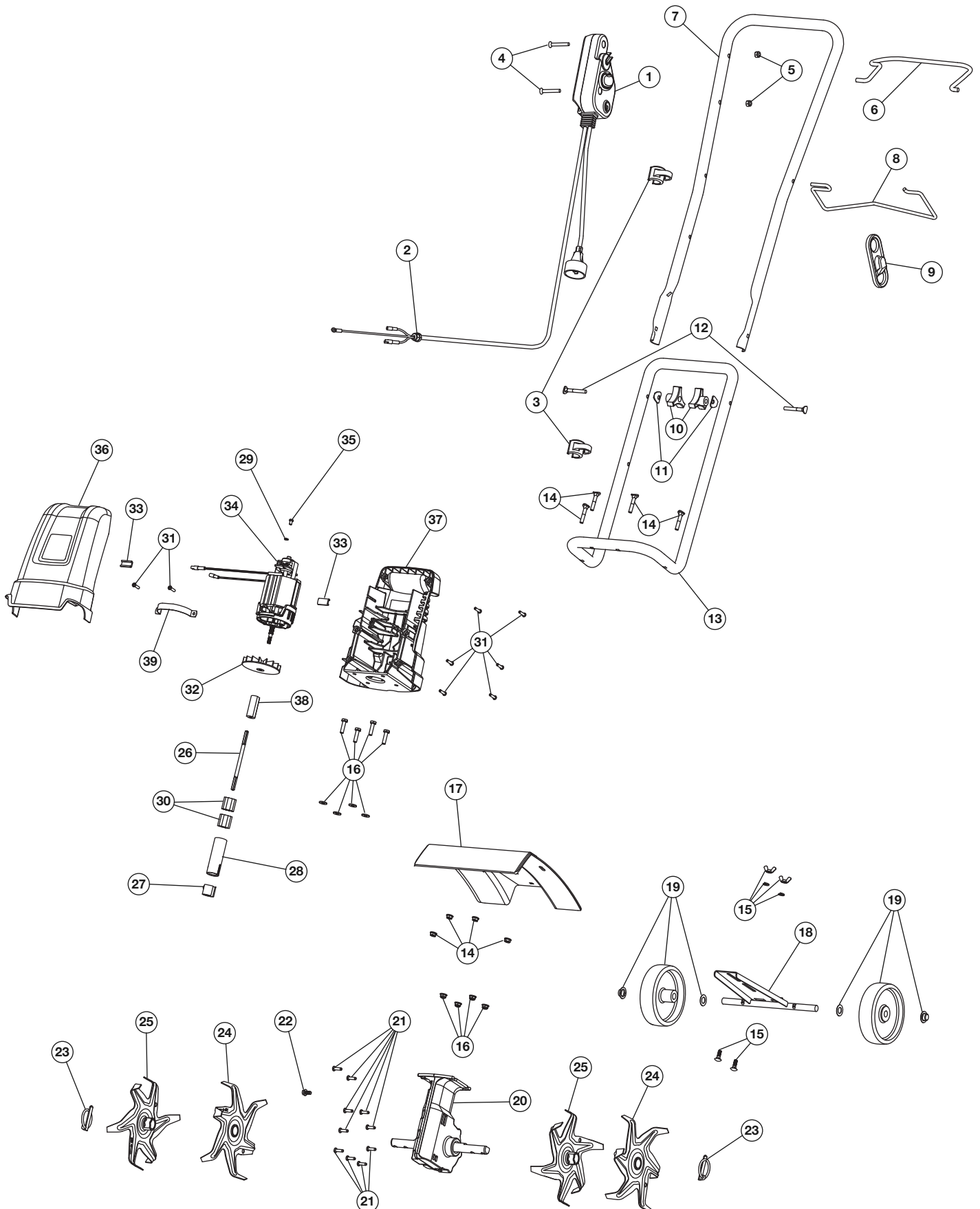


REPLACEMENT PARTS - MODEL RM151C ELECTRIC CULTIVATOR PPN 21A-151A983



REPLACEMENT PARTS - MODEL RM151C

ELECTRIC CULTIVATOR

PPN 21A-151A983

<u>Item</u>	<u>Part No.</u>	<u>Description</u>
1	753-06370	Switch Assembly
2	753-04428	Bushing
3	753-04429	Cable guide
4	753-04430	Screw
5	753-04431	Nut
6	753-04432	Bail
7	753-06371	Upper Handle
8	753-04434	Guide Bar
9	753-04435	Cord Restraint
10	791-182677	Knob
11	753-04052	Washer
12	791-182899	Bolt
13	753-06372	Lower Handle Bar
14	791-182681	Hardware, Handle Bar Mounting (lower)
15	791-182684	Wheel Bracket Mounting Hardware
16	753-06373	Guard Mounting Hardware
17	753-06374	Guard
18	753-05024	Wheel Bracket Assembly
19	753-04437	Wheel Assembly
20	753-05982	Gear Box Assembly

<u>Item</u>	<u>Part No.</u>	<u>Description</u>
21	791-182195	Screw
22	791-180288	Sleeve Retainer Bolt
23	753-05985	Click Pin
24	753-05984	Tine Assembly (Left Outer or Right Inner)
25	753-05983	Tine Assembly (Left Inner or Right Outer)
26	753-06383	Flex Shaft
27	753-04078	Sleeve
28	753-06375	Boom Tube
29	753-06376	Lock Washer
30	753-06377	Flex Tube Assembly
31	753-05274	Screw
32	791-180155	Fan
33	791-180503	Motor Pad
34	753-06378	Motor Assembly
35	791-145569	Screw
36	753-06380	Front Motor Cover
37	753-06379	Rear Motor Cover
38	753-06381	Motor Hub
39	753-06382	Motor Strap