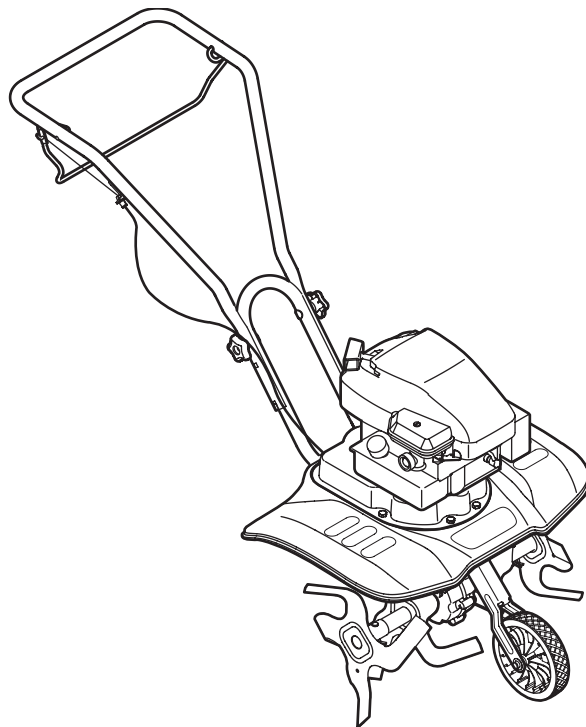


OPERATOR'S MANUAL

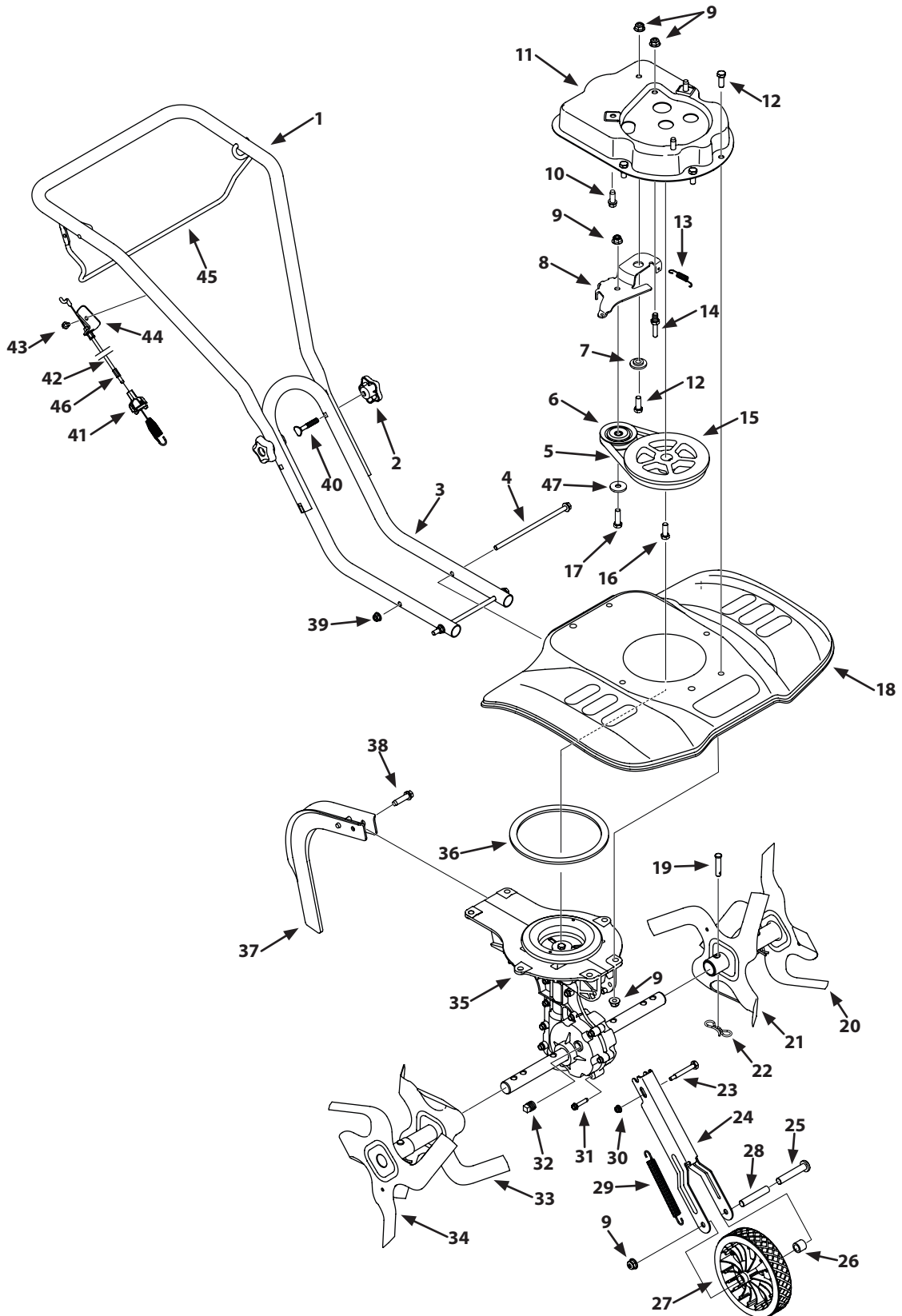


World Front Wheel Tiller— Series 250

⚠ WARNING

**READ AND FOLLOW ALL SAFETY RULES AND INSTRUCTIONS IN THIS MANUAL
BEFORE ATTEMPTING TO OPERATE THIS MACHINE.
FAILURE TO COMPLY WITH THESE INSTRUCTIONS MAY RESULT IN PERSONAL INJURY.**

MTD LLC, P.O. BOX 361131 CLEVELAND, OHIO 44136-0019



Handle, Frame & Wheel Assembly

Ref.	Part Number	Description
1	749-04282-0637	Upper Handle
2	720-04072A	Star Handle Knob
3	749-04281-0637	Lower Handle
4	710-04398	Flange Screw: 5/16-18:7.5:GR5
5	954-04123	V-Belt
6	756-04163	Idler Pulley
7	748-04125	Shoulder Spacer
8	686-04080	Idler Bracket
9	712-04065	Flange Lock Nut: 3/8-16
10	710-0654A	TT Screw: 3/8-16:1.00
11	786-04303-0709	Belt Cover
12	710-0514	HH Cap Screw: 3/8-16:1.00
13	732-0418	Extension Spring
14	738-04139	Stud: 33 x 1.5: 3/8-16
15	756-04217	Flywheel Pulley
16	710-0591	HH Cap Screw: 3/8-24:1.00
17	710-0520	HH Cap Screw: 3/8-16:1.55
18	786-04256-0709	Tine Shield 61 cm
19	911-0415	Clevis Pin
20	642-0005-0637	Outer Tine Assembly LH
21	642-0003-0637	Inner Tine Assembly LH
22	714-04043	Cotter Pin, Bow Tie
23	738-04172	Shoulder Screw: .31x2:1/4-20
24	786-04232-0637	Front Wheel Bracket

Ref.	Part Number	Description
25	710-0521	HH Cap Screw: 3/8-16:3.00
26	750-04578	Spacer
27	734-04063	Wheel 7x1.5 Star-Diam
28	749-04204	Sleeve
29	932-0384	Extension Spring
30	712-04064	Flange Lock Nut: 1/4-20
31	710-0809	TT Screw: 1/4-20:1.25
32	737-04202	Pipe Plug: 3/8 NPT
33	642-0002-0637	Inner Tine Assembly RH
34	642-0004-0637	Outer Tine Assembly RH
35	918-04276B	Case Assembly
36	721-04157	Gasket
37	686-04072-0709	Depth Stake Assembly
38	710-1007	TT Screw: 3/8-16:1.50
39	712-04063	Flange Lock Nut: 5/16-18
40	710-0487	Carriage Bolt
41	731-05385	Clutch Cable Fitting
42	746-04247	Clutch Cable
43	710-0599	TT Screw: 1/4-20:.50
44	786-04307-0637	Cable Mount Bracket
45	747-04508-0637	Clutch Bail
46	716-0208	Retaining Ring
47	936-0300	Flat Washer, .406 x .875 x .059