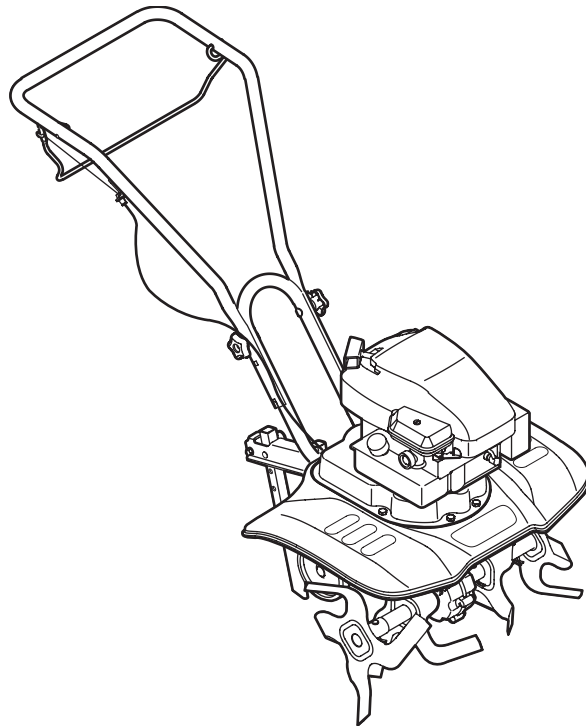


# OPERATOR'S MANUAL



## World Rear Wheel Tiller — Series 240

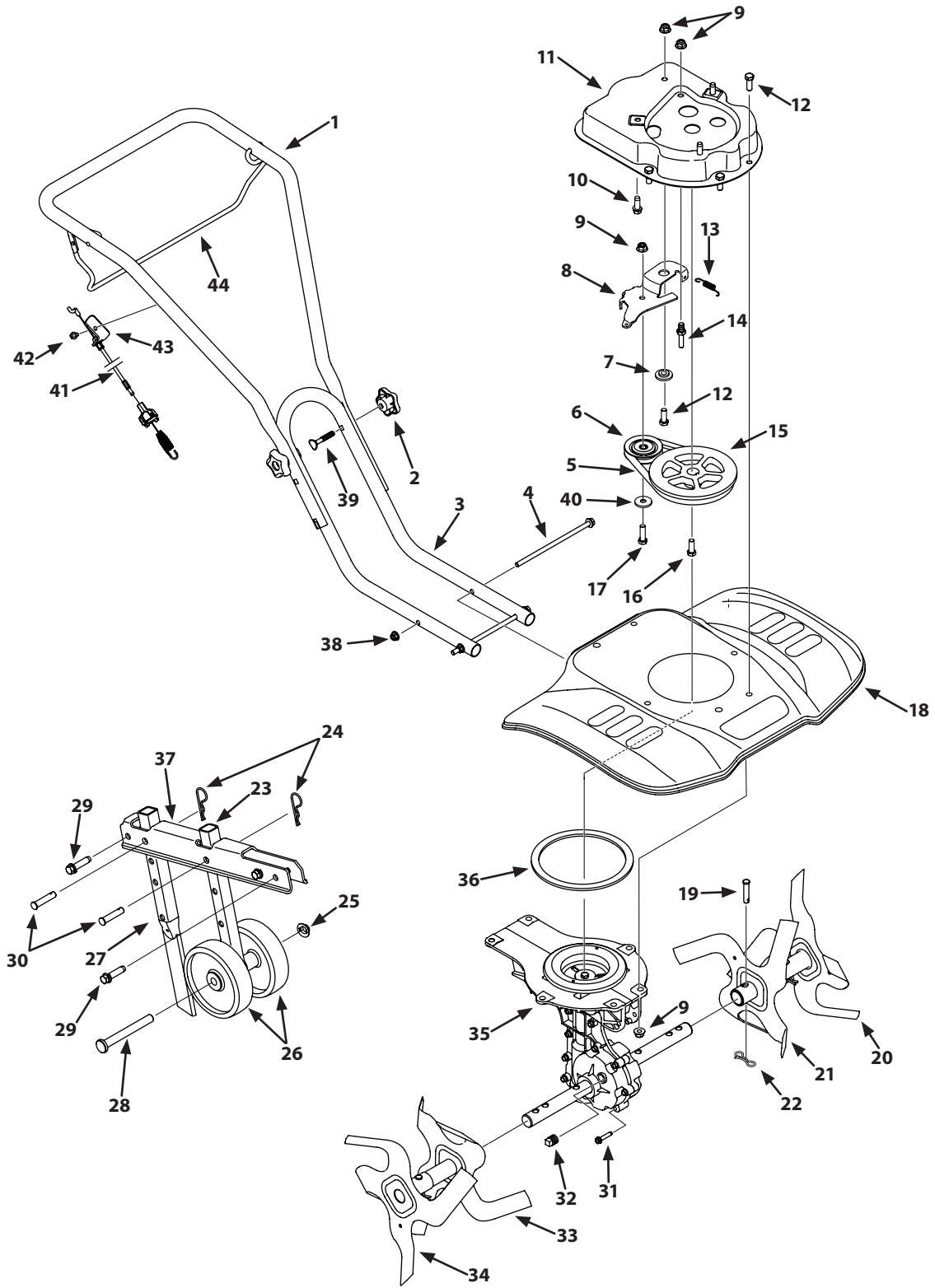
### **⚠ WARNING**

**READ AND FOLLOW ALL SAFETY RULES AND INSTRUCTIONS IN THIS MANUAL  
BEFORE ATTEMPTING TO OPERATE THIS MACHINE.  
FAILURE TO COMPLY WITH THESE INSTRUCTIONS MAY RESULT IN PERSONAL INJURY.**

---

MTD LLC, P.O. BOX 361131 CLEVELAND, OHIO 44136-0019

---



# Handle, Frame & Wheel Assembly

Ref.	Part Number	Description
1	749-04282-0638	Upper Handle
2	720-04072A	Star Handle Knob
3	749-04281-0638	Lower Handle
4	710-04398	Flange Screw: 5/16-18:7.5:GR5
5	954-04123	V-Belt
6	756-04163	Idler Pulley
7	748-04125	Shoulder Spacer
8	686-04080	Idler Bracket
9	712-04065	Flange Lock Nut: 3/8-16
10	710-0654A	TT Screw: 3/8-16:1.00
11	786-04303-0638	Belt Cover
12	710-0514	HH Cap Screw: 3/8-16:1.00
13	732-0418	Extension Spring
14	738-04139	Stud: 33 x 1.5: 3/8-16
15	756-04217	Flywheel Pulley
16	710-0591	HH Cap Screw: 3/8-24:1.00
17	710-0520	HH Cap Screw: 3/8-16:1.55
18	786-04256-0638	Tine Shield 61 cm
19	911-0415	Clevis Pin
20	642-0005-0637	Outer Tine Assembly LH
21	642-0003-0637	Inner Tine Assembly LH
22	714-04043	Cotter Pin, Bow Tie

Ref.	Part Number	Description
23	749-04266-0637	Rear Wheel Tube
24	714-3020	Cotter Pin
25	726-0299	Push Cap
26	734-0973	Wheel 5 x 1.38
27	749-04265-0638	Depth Stake Tube
28	711-04520	Axle Shaft
29	710-1007	TT Screw 3/8-16 x 1.50
30	911-0415	Clevis Pin
31	710-0809	TT Screw: 1/4-20:1.25
32	737-04272	Pipe Plug: 1/4-18 NPT
33	642-0002-0637	Inner Tine Assembly RH
34	642-0004-0637	Outer Tine Assembly RH
35	918-04276B	Case Assembly
36	721-04157	Gasket
37	786-04296-0637	Wheel Bracket
38	712-04063	Flange Lock Nut: 5/16-18
39	710-0487	Carriage Bolt
40	936-0300	Flat Washer, .406 x .875 x .059
41	746-04626	Clutch Cable
42	710-0599	TT Screw: 1/4-20:.50
43	786-04307-0637	Cable Mount Bracket
44	747-04508-0638	Clutch Bail