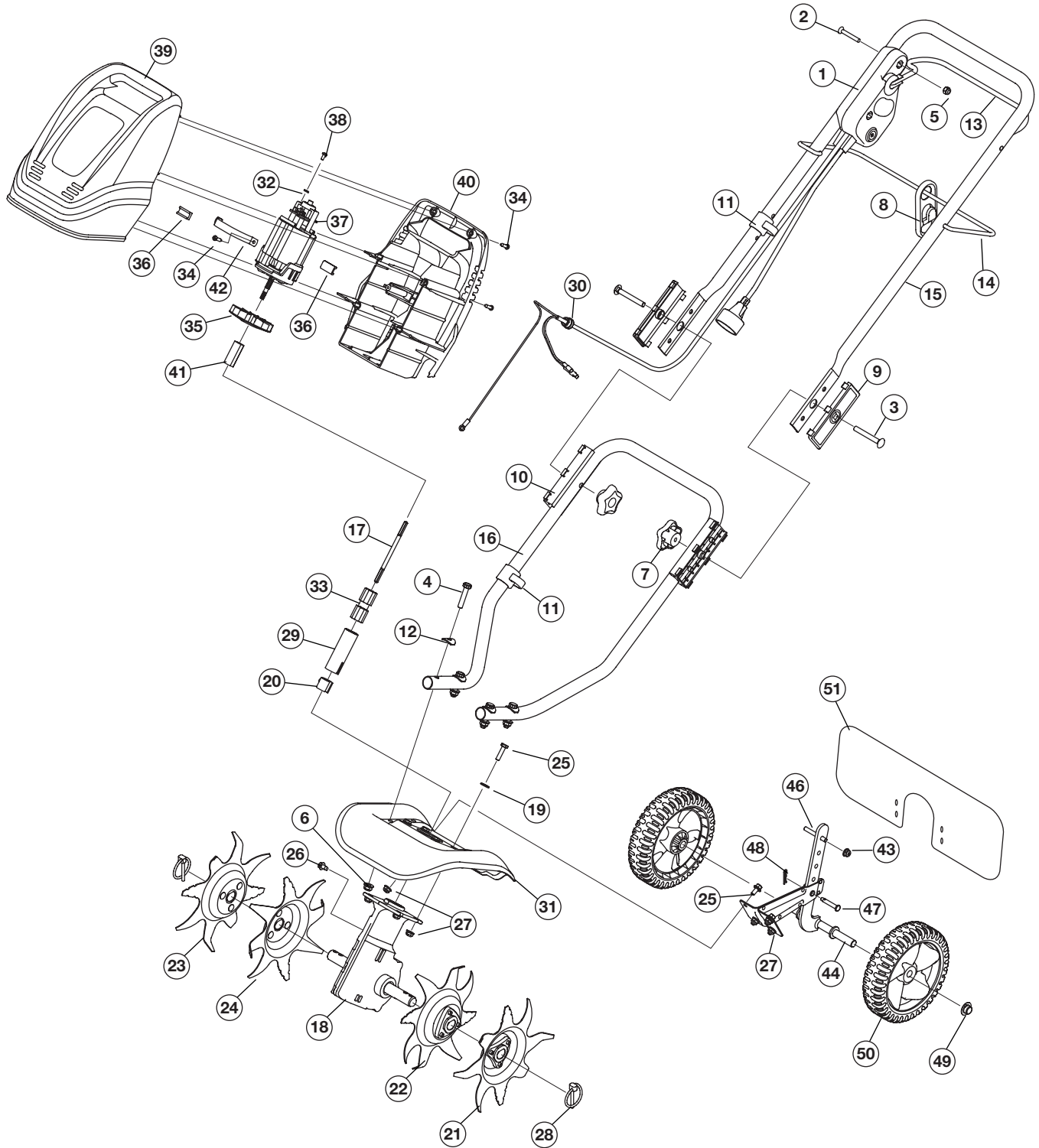


REPLACEMENT PARTS - MODEL Y155
ELECTRIC CULTIVATOR
PPN 21A-155A900



REPLACEMENT PARTS - MODEL Y155

ELECTRIC CULTIVATOR

PPN 21A-155A900

<u>Item</u>	<u>Part No.</u>	<u>Description</u>	<u>Item</u>	<u>Part No.</u>	<u>Description</u>
1	625-04027A	Switch Assembly	26	4543	Bolt
2	710-04213	Screw	27	712-04064	Nut
3	710-0572	Bolt	28	753-04070	Lynch Pin
4	710-0805	Screw	29	750-04441	Boom Tube
5	912-0324	Nut	30	753-04428	Cord Bushing
6	712-04063	Nut	31	753-05457	Tine Shield
7	720-04052	Knob	32	1625	Lock Washer
8	726-0368	Cord Retainer	33	1A2679	Flex Tube Assembly
9	731-05178	Upper Handle Insulator	34	753-05274	Screw
10	731-05186	Lower Handle Insulator	35	50004	Fan
11	753-04429	Cable Guide	36	50545	Motor Pad
12	736-0451	Saddle Washer	37	924-04008	Motor Assembly
13	747-04375	Control Bail	38	791-145569	Screw
14	747-04376A	Guide Rod	39	731-05207	Front Motor Cover
15	749-04210	Upper Handle	40	731-05208	Rear Motor Cover
16	749-1295A	Lower Handle	41	748-04085	Motor Hub
17	791-182686	Flex Shaft	42	786-04268	Motor Strap
18	753-04075	Gearbox	43	753-04058	Bracket Assembly
19	791-182678	Washer	44	753-04063	Wheel Support Bracket Assembly
20	753-04078	Sleeve	45	710-04468	Screw
21	753-04071	Outer Tine Assembly	46	911-0993	Belt Guard Pin
22	753-04072	Inner Tine Assembly	47	711-1017	Clevis Pin
23	753-04073	Outer Tine Assembly	48	914-0104	Cotter Pin
24	753-04074	Inner Tine Assembly	49	726-0299	Push Cap
25	710-0597	Screw	50	753-04437	Wheel (includes 49)
			51	753-06279	Debris Shield