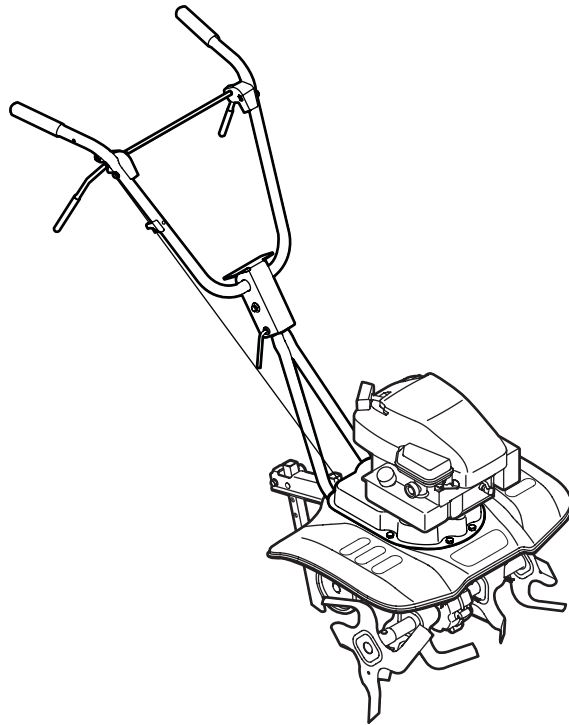


OPERATOR'S MANUAL

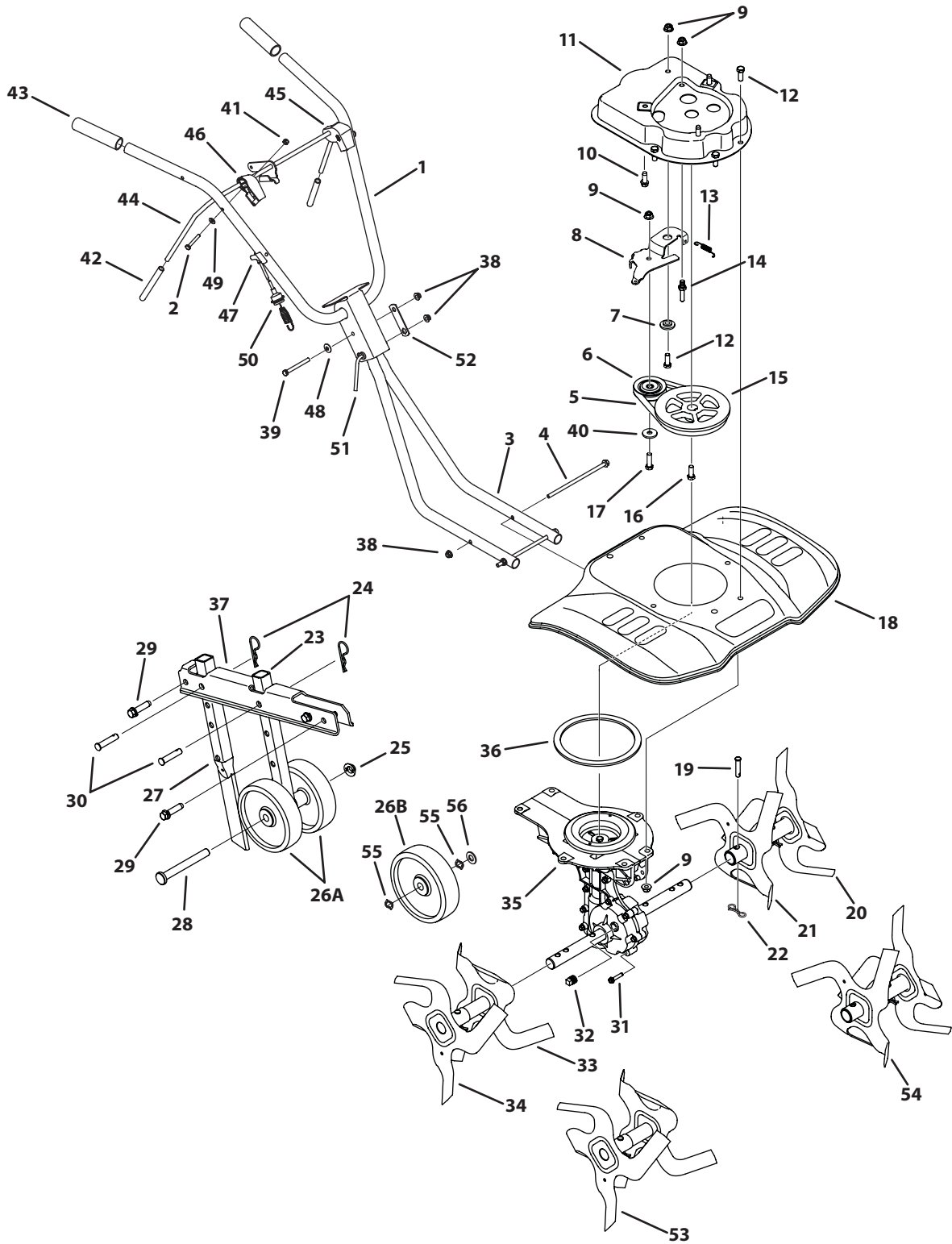


World Tiller — Series 210-240

⚠ WARNING

**READ AND FOLLOW ALL SAFETY RULES AND INSTRUCTIONS IN THIS MANUAL
BEFORE ATTEMPTING TO OPERATE THIS MACHINE.
FAILURE TO COMPLY WITH THESE INSTRUCTIONS MAY RESULT IN PERSONAL INJURY.**

MTD LLC, P.O. BOX 361131 CLEVELAND, OHIO 44136-0019



Handle, Frame & Wheel Assembly

Ref.	Part Number	Description
1	649-04030-0638	Upper Handle
2	710-0136	Hex Head Cap Screw, ¼-20 x 1.75
3	649-04029-0638	Lower Handle
4	710-04398	Flange Screw, ⅝-18 x 7.5, GR5
5	954-04123	V-Belt
6	756-04163	Idler Pulley
7	748-04125	Shoulder Spacer
8	686-04080	Idler Bracket
9	712-04065	Flange Lock Nut, ⅜-16
10	710-0654A	Self Tapping Screw, ⅜-16 x 1.00
11	786-04303-0638	Belt Cover
12	710-0514	Hex Head Cap Screw, ⅜-16 x 1.00
13	732-0418	Extension Spring
14	738-04139	Stud, 33 x 1.5, ⅜-16
15	756-04217	Flywheel Pulley
16	710-0591	Hex Head Cap Screw, ⅜-24 x 1.00
17	710-0520	Hex Head Cap Screw, ⅜-16 x 1.55
18	786-04256-0638	Tine Shield 61 cm (model 240)
	786-04259-0638	Tine Shield 40 cm (model 210)
19	911-0415	Clevis Pin
20	642-0005-0637	Outer Tine Assbly LH (model 240)
21	642-0003-0637	Inner Tine Assbly LH (model 240)
22	714-04043	Cotter Pin, Bow Tie
23	749-04266-0637	Rear Wheel Tube
24	714-3020	Cotter Pin
25	726-0299	Push Cap
26A	734-0973	Wheel 5 x 1.38 (model 240)
26B	734-031322	Wheel 6 x 1.50, Steel (model 210)
27	749-04265-0638	Depth Stake Tube
28	711-04520	Axle Shaft

Ref.	Part Number	Description
29	710-1007	Self Tapping Screw, ⅜-16 x 1.50
30	911-0415	Clevis Pin
31	710-0809	Self Tapping Screw, ¼-20 x 1.25
32	737-04272	Pipe Plug, ¼-18 NPT
33	642-0002-0637	Inner Tine Assbly RH (model 240)
34	642-0004-0637	Outer Tine Assbly RH (model 240)
35	918-04276B	Case Assembly 61 cm (model 240)
	918-04271B	Case Assembly 40 cm (model 210)
36	721-04157	Gasket
37	786-04296-0637	Wheel Bracket
38	712-04063	Flange Lock Nut, ⅝-18
39	710-0189	Hex Head Cap Screw, ⅝-18 x 3.00
40	936-0300	Flat Washer, .406 x .875 x .059
41	712-0324	Hex Lock Nut, ¼-20
42	720-0269	Handle Grip
43	720-0274	Grip, 1.0 ID x 5.0 LG
44	647-04047-0638	Clutch Bail
45	731-05095B	Bail Holder LH
46	731-05096B	Bail Holder RH
47	731-05272	Handle Fitting
48	736-0242	Bell Washer, .340 x .872 x .060
49	936-0463	Flat Washer, .25 x .630 x .0515
50	946-04663	Clutch Cable
51	786-0340A	Handle Crank
52	786-0341	Retainer Bracket
53	642-04032-0637	Tine Assembly RH (model 210)
54	642-04031-0637	Tine Assembly LH (model 210)
55	936-0504	Wave Washer, .510 x .750 x .017
56	736-3069	Flat Washer, .531 x .875 x .15