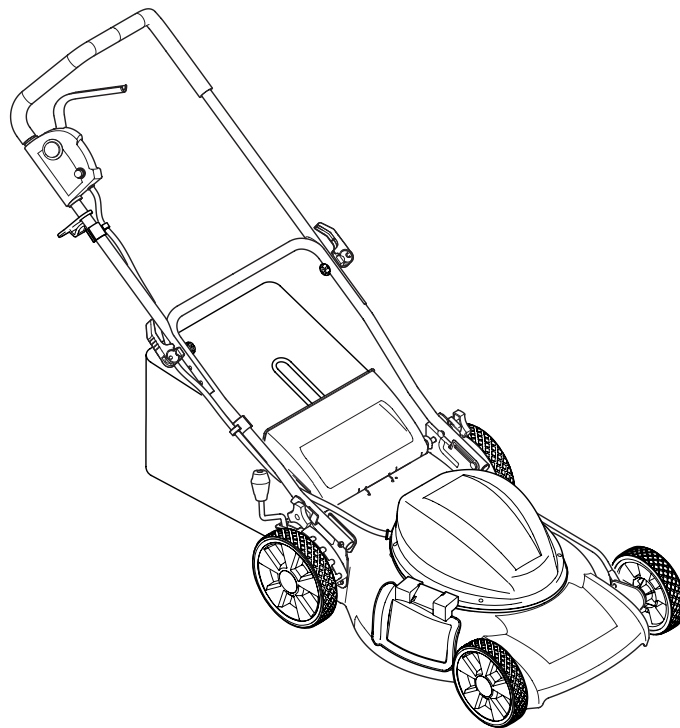


# OPERATOR'S MANUAL



## 3-in-1 Corded, 19"

### **⚠ WARNING**

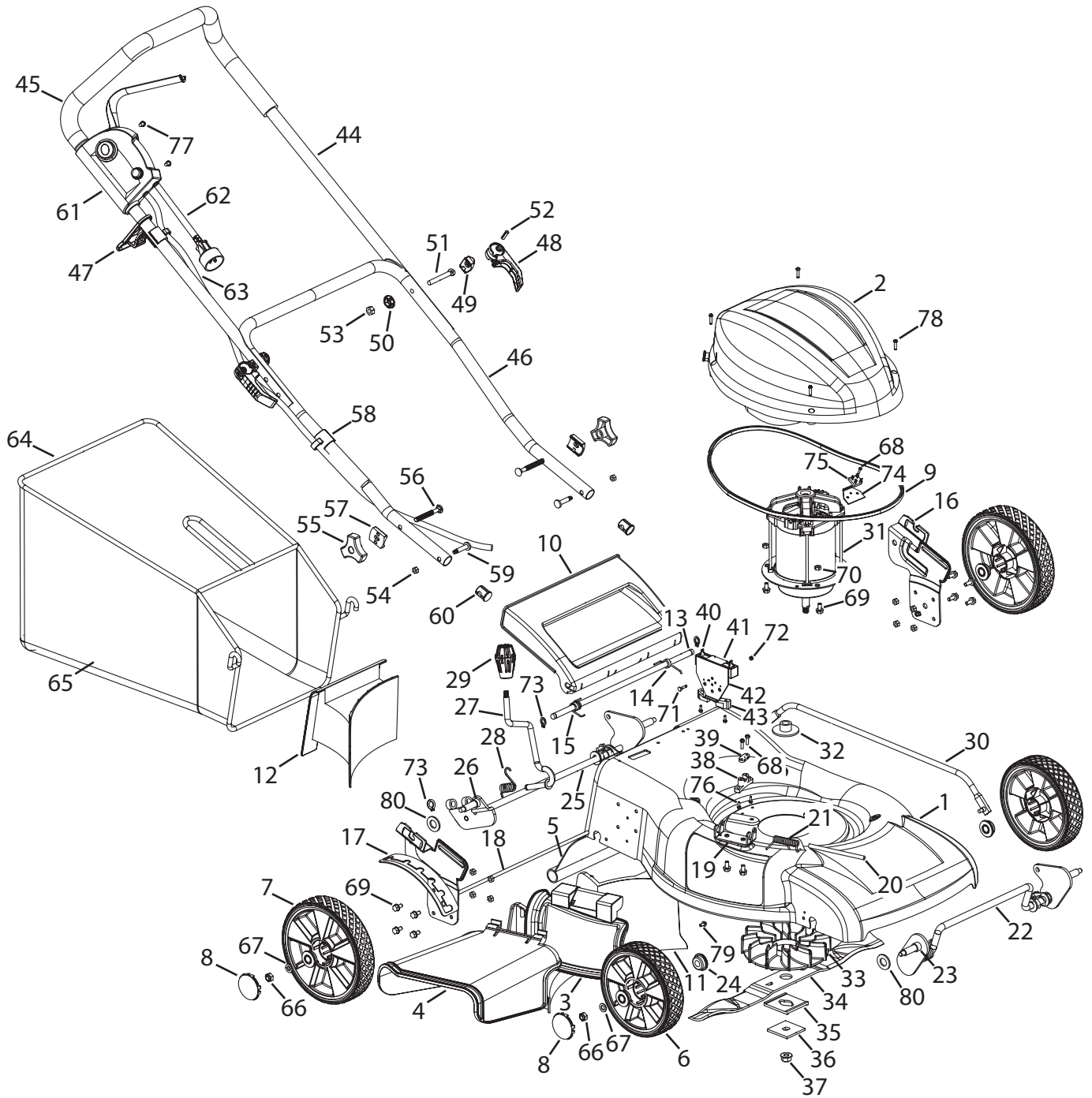
**READ AND FOLLOW ALL SAFETY RULES AND INSTRUCTIONS IN THIS MANUAL  
BEFORE ATTEMPTING TO OPERATE THIS MACHINE.  
FAILURE TO COMPLY WITH THESE INSTRUCTIONS MAY RESULT IN PERSONAL INJURY.**

---

MTD LLC, P.O. BOX 361131 CLEVELAND, OHIO 44136-0019

---

# Model 212



Ref.	Part Number	Description
1	787-01823	Deck
2	731-07618	Shroud
3	731-07619	Mulch Door
4	731-07620	Discharge Chute
5	731-07621	Trail Shield
6	734-04553	Front Wheel
7	734-04554	Rear Wheel
8	731-07512	Wheel Cap
9	721-04378	Shroud Seal
10	731-07622	Rear Door
11	731-07623	Rear Baffle
12	731-07624	Mulch Plug
13	711-05358	Pin
14	732-04733	Spring
15	732-04734	Spring
16	787-01824	Left Bracket
17	787-01825	Right Bracket
18	711-05325	Trailshield Rod
19	736-04484	Mulch Door Bracket
20	711-05326	Mulch Door Rod
21	732-04713	Mulch Door Spring
22	611-04181	Front Shaft Assembly
23	741-04464	Spacer Bushing
24	731-07706	Wheel Bushing
25	611-04182	Rear Shaft Assembly
26	741-04465	Spacer Bushing
27	732-04735	Height Adjust Handle
28	732-04715	Height Adjust Spring
29	720-04143	Height Adjust Knob
30	787-01826	Height Adjust Rod
31	724-04088	Motor
32	736-04486	Flange
33	731-07515	Electric Motor Fan
34	742-04318	Blade
35	731-07598	Washer
36	736-04487	Washer
37	712-04237	Nut
38	731-07516	Strain Relief Bracket
39	731-07520	Strain Relief Cap
40	725-05071	Resistor

Ref.	Part Number	Description
41	725-05119	Resistor Holder
42	731-07599	Resistor Bracket
43	725-05118	Resistor Base
44	749-04670	Upper Handle
45	731-07522	Handle Grip
46	749-04688	Lower Handle
47	731-07523	Cord Retainer
48	720-04145	Quick Release Handle
49	736-04488	Washer
50	720-04146	Quick Release Knob
51	714-04086	Quick Release Pin
52	715-04107	Pin
53	712-04239	Nut
54	712-04250	Nylock Nut
55	720-04147	Wing Knob
56	710-05082	Screw, M8
57	736-04489	Washer
58	731-07524	Cord Clip
59	714-04088	Shoulder Bolt
60	731-07513	Cap
61	625-04125	Switch Box Assembly
62	725-05115	AC Power Cord
63	725-05116	Motor Cord
64	747-05304	Grassbag Frame
65	764-04096	Grassbag
66	712-04251	Lock Nut
67	736-04497	Washer
68	710-05119	Screw, M4.2 x 16
69	710-05117	Screw, M6 x 12
70	712-04251	Lock Nut, M6
71	710-05120	Screw, M4 x 12
72	712-04251	Lock Nut, M4
73	716-04163	Lock Ring
74	725-05121	Rectifier Heat Sink
75	725-05127	Rectifier
76	710-05123	Screw, M4.8 x 16
77	710-05124	Screw, M4.2 x 25
78	710-05118	Screw, M5 x 12
79	710-05119	Screw, M4.2 x 16
80	736-04505	Spring Washer