

OPERATOR'S MANUAL



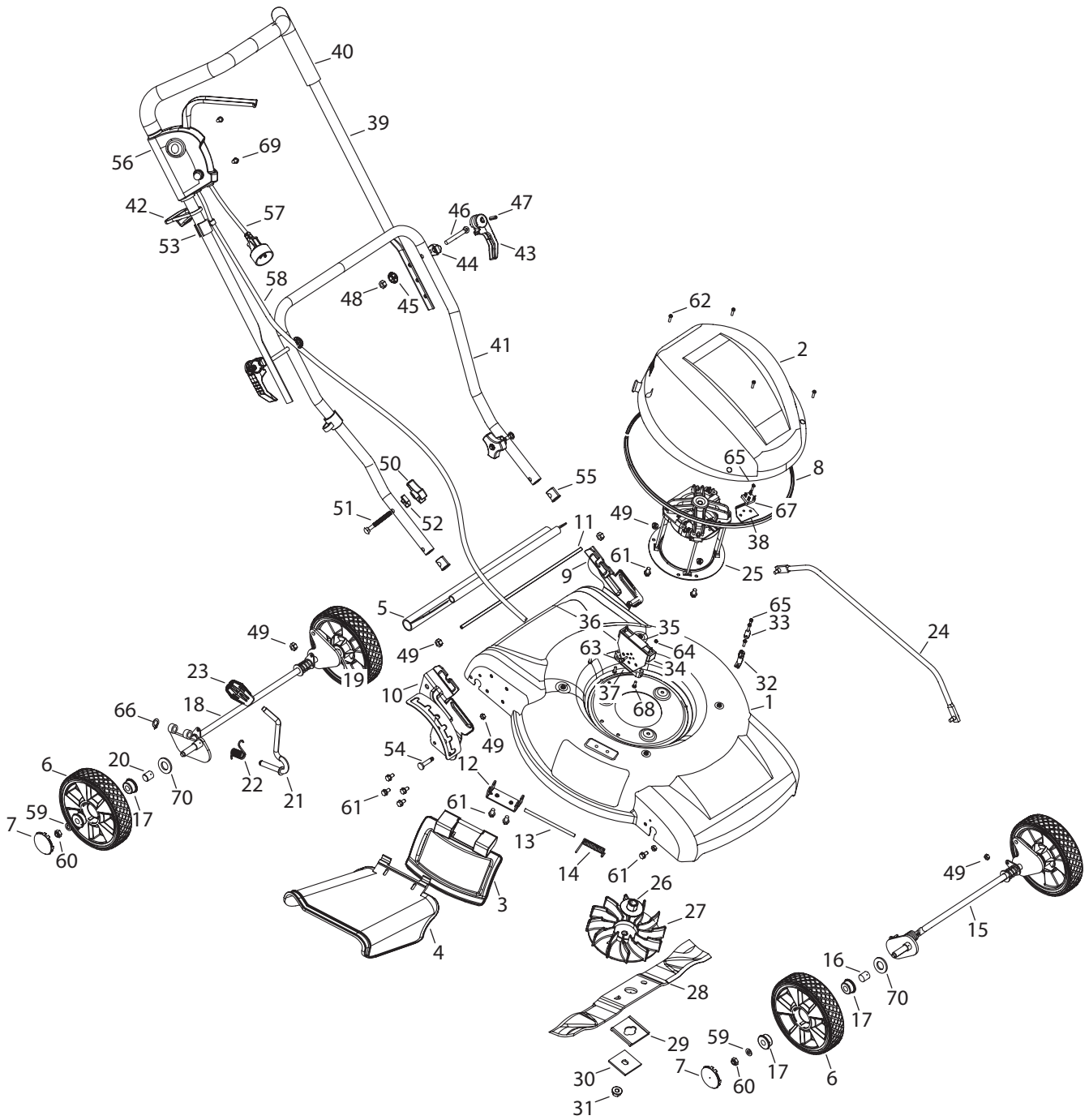
2-in-1, 19" Corded

⚠ WARNING

**READ AND FOLLOW ALL SAFETY RULES AND INSTRUCTIONS IN THIS MANUAL
BEFORE ATTEMPTING TO OPERATE THIS MACHINE.
FAILURE TO COMPLY WITH THESE INSTRUCTIONS MAY RESULT IN PERSONAL INJURY.**

MTD LLC, P.O. BOX 361131 CLEVELAND, OHIO 44136-0019

Model 202



Ref.	Part Number	Description
1	787-01810	Deck
2	731-07507	Shroud
3	731-07508	Mulch Door
4	731-07509	Discharge Chute
5	731-07510	Trailshield
6	734-04553	Wheel
7	731-07512	Wheel Cap
8	721-04378	Shroud Seal
9	787-01811	Left Wheel Bracket
10	787-01812	Right Wheel Bracket
11	711-05325	Trailshield Rod
12	787-01813	Mulch Door Bracket
13	711-05326	Mulch Door Rod
14	732-04713	Mulch Door Spring
15	611-04174	Front Shaft Assembly
16	736-04483	Spacer Bushing
17	731-07706	Wheel Bushing
18	611-04175	Rear Shaft Assembly
19	736-04484	Spacer Bushing
20	736-04485	Spacer Bushing
21	732-04714	Height Adjust Handle
22	732-04715	Height Adjust Spring
23	720-04143	Height Adjust Knob
24	787-01814	Height Adjust Rod
25	724-04088	Motor
26	736-04486	Flange
27	731-07515	Electric Motor Fan
28	742-04313	Blade
29	731-07598	Washer
30	736-04487	Washer
31	712-04237	Nut
32	731-07516	Strain Relief Bracket
33	731-07520	Strain Relief Cap
34	725-05071	Resistor
35	725-05119	Resistor Holder

Ref.	Part Number	Description
36	731-07599	Resistor Bracket
37	725-05118	Resistor Base
38	725-05121	Rectifier Heat Sink
39	749-04670	Upper Handle
40	731-07522	Handle Grip
41	749-04671	Lower Handle
42	731-07523	Cord Retainer
43	720-04145	Quick Release Handle
44	736-04488	Washer
45	720-04146	Quick Release Knob
46	714-04086	Quick Release Pin
47	715-04107	Pin
48	712-04239	Nut
49	712-04250	Nylock Nut
50	720-04147	Wing Knob
51	710-05082	Screw, M8
52	736-04489	Washer
53	731-07524	Cord Clip
54	714-04088	Shoulder Bolt
55	731-07513	Cap
56	625-04125	Switch Box Assembly
57	725-05115	AC Power Cord
58	725-05116	Motor Cord
59	736-04497	Flat Washer
60	712-04247	Lock Nut
61	710-05117	Screw, M6 x 12
62	710-05118	Screw, M5 x 12
63	710-05120	Screw, M4 x 16
64	712-04248	Lock Nut
65	710-05119	Screw, M4.2 x 16
66	716-04162	Lock Ring
67	725-05117	Rectifier
68	710-05123	Screw, M4.8 x 16
69	710-05124	Screw, M4.2 x 25
70	736-04505	Spring Washer