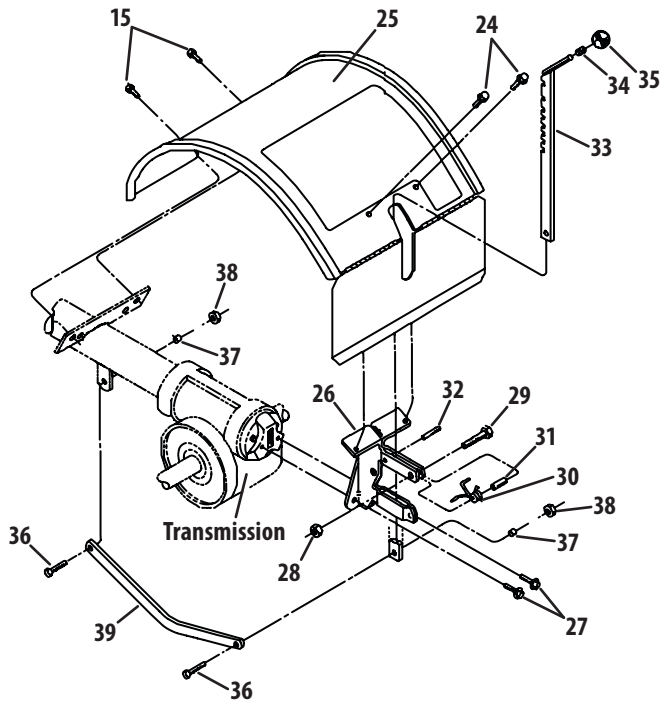
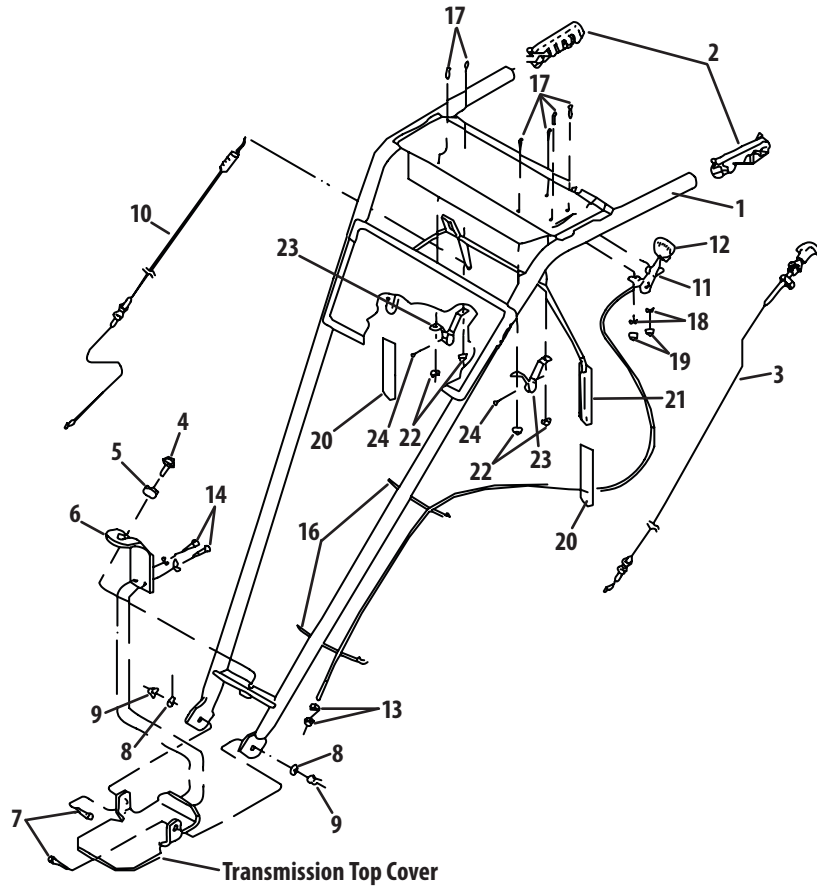
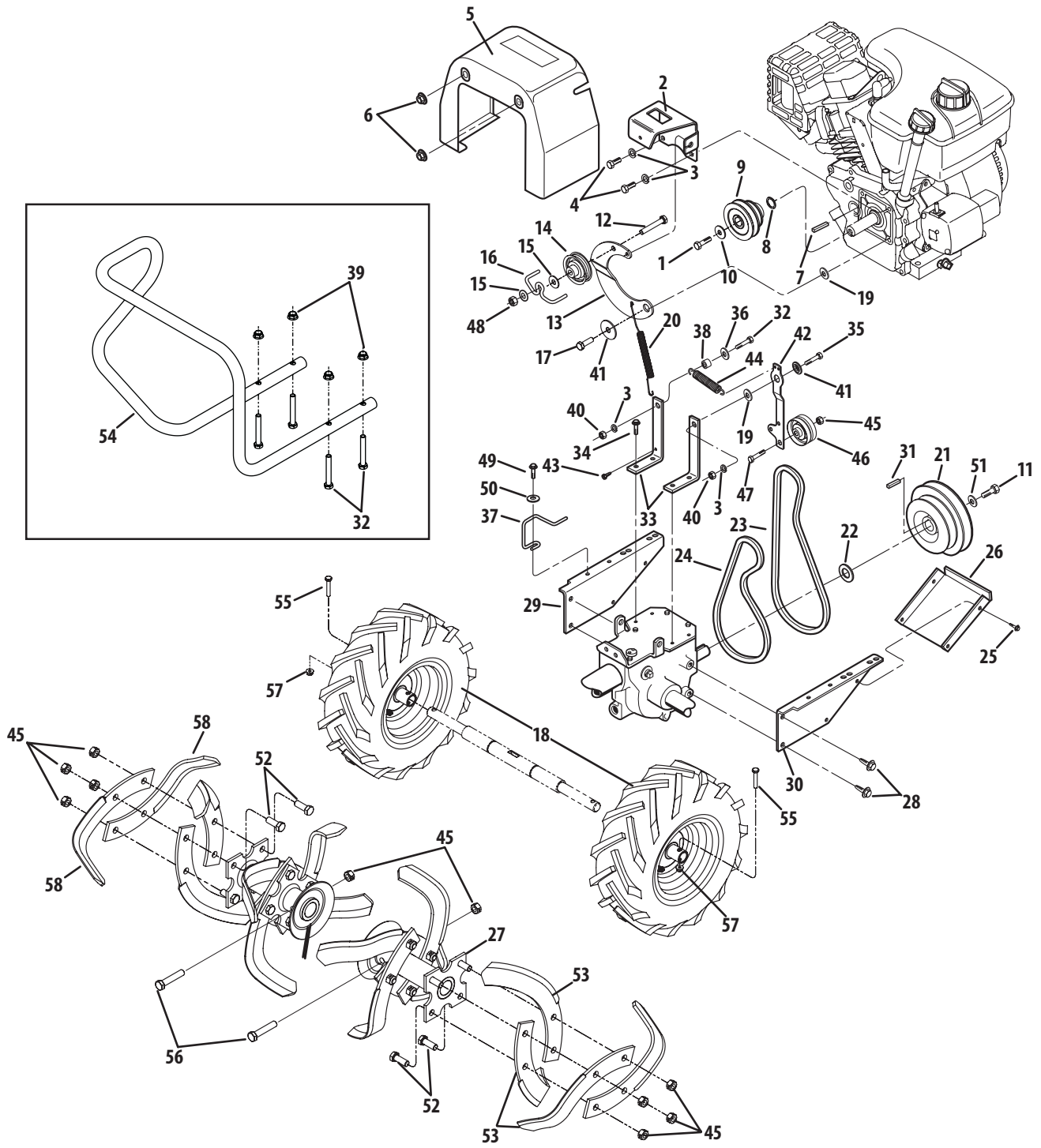


Model Series 660



Ref.	Part Number	Description
1.	1918811P	Handlebars
2.	720-0274	Grip
3.	1916784P	Reverse Clutch Control Cable
4.	710-04042	Hex Flange Screw, 3/8-16
5.	736-04445	Keyed Washer
6.	1900475010	Handlebar Hgt. Adjustment Bracket
7.	710-0514	Hex Hd. Screw, 3/8-16 x 1
8.	736-3050	Plain Washer, 3/8
9.	912-3000	Hex Locknut, 3/8-16
10.	946-04027	Forward Clutch Control Cable
11.	GW-9442P	Wheel Gear Control & Cable Ass.
12.	GW-9057	Wheel Gear Control Lever Knob
13.	1186211	Hex Nut, 5/16-24
14.	710-0623	Self-tapping Screw, 3/8-16 x 3/4
15.	710-0759	Self-tapping Screw, 5/16-18 x 5/8
16.	725-0157	Cable Ties
17.	1114748	Round Head Screw, #10-32 x 1/2
18.	936-0722	Lockwasher, #10
19.	1186208	Hex Nut, #10-32
20.	GW-9390	Grip
21.	1918840	Forward Clutch Bail
22.	GW-9853	Sems Nut
23.	GW-20806	Bail Support Bracket
24.	710-0599	Self-tapping Screw, 1/4-20 x 1/2
25.	686-04078	Tine Hood
26.	GW-2525	Depth Regulator
27.	710-04049	Hex Flange Screw, 5/16-18 x 5/8
28.	712-04064	Hex Locknut, 1/4-20
29.	710-0597	Hex Head Screw, 1/4-20 x 1
30.	732-04320	Spring
31.	750-04556	Spacer
32.	715-04034	Roll Pin (spiral), 1/4 x 1
33.	1900864	Depth Regulator
34.	GW-9120	Retaining Ring
35.	GW-9119	Depth Regulator Knob
36.	710-3005	Hex Head Screw, 3/8-16 x 1-1/4
37.	GW-1113-1099	Drag Bar Bushing
38.	712-04065	Hex Nut, 3/8-16
39.	1916185001	Drag Bar

Model Series 660



Ref.	Part Number	Description
1.	710-0331	Hex Screw, 3/8-24 x 2.25 (A)
—	710-0672	Screw, 5/16-24 x 1.25 (B)
2.	786-04070	Clutch Cable Bracket
3.	936-0119	Lockwasher, 5/16
4.	710-0107	Hex Head Screw, 5/16-24 x 1/2
5.	731-05290	Cover
6.	712-3004A	Flange Lock Nut, 5/16-18
7.	714-0139	Key, 3/16-2 (A)
—	914-0133	Key, 3/16 x 1.5 (B)
8.	736-04187	Shim
9.	619-04130	Engine Pulley
10.	936-0452	Belle. Washer, .344 x 1.0 x .063 (A)
—	736-04193	Belle. Washer .827 x .331 x .098 (B)
11.	710-0672	Hex Head Screw, 5/16-24 x 1.25
12.	710-3103	Hex Head Screw, 5/16-18 x 2
13.	786-04276	Reverse Idler Arm
14.	1916535	Reverse Idler Pulley
15.	936-0159	Flat Washer, 5/16
16.	732-04081	Wire Formed Belt Guide
17.	710-0888	Hex Head Screw, 5/16-24 x 1
18.	934-04232	Wheel Assembly, 13 x 5 x 6
19.	736-3078	Flat Washer, 1-1/8
20.	732-04077	Reverse Return Spring
21.	619-04123	Transmission Pulley
22.	736-04079	Support Washer
23.	1918812	Reverse Clutch Belt
24.	1909404	Forward Clutch Belt
25.	1900396	Self-tapping Screw, #10-32 x 1/2
26.	786-04080	Belts/Pulleys Guard
27.	686-04067	Tine Holder
28.	710-04043	Hex Flange Screw, 5/16-18 x 3/4

Ref.	Part Number	Description
29.	1916797001	Engine Support Bracket (left side)
30.	786-04067	Engine Support Bracket (rt side)
31.	914-0133	Key, 3/16 x 1.50
32.	710-0395	Hex Head Screw, 5/16-18 x 2-1/4
33.	1918774001	Mounting Bar
34.	710-1260A	Hex Flange Screw, 5/16-18 x .75
35.	710-0805	Hex Head Screw, 5/16-18 x 1-1/2
36.	936-0275	Flat Washer, 5/16
37.	732-04082	Belt Guide
38.	GW-55088	Pivot Bushing
39.	712-04063	Hex Lock Nut, 5/16-18
40.	912-3010	Hex Nut, 5/16-18
41.	748-04087A	Shoulder Washer
42.	786-04275	Forward Tiller Direction Idler Arm
43.	1767754	Self-tapping Screw, #10-24
44.	1916727	Spring
45.	912-3000	Hex Locknut, 5/16-18
46.	756-04170	Forward Idler Pulley
47.	710-0347	Screw, 3/8-16 x 1-3/4
48.	912-0158	Hex Lock Nut, 5/16-18
49.	1754128	Screw, 1/4-20 x 3/4
50.	936-0463	Flat Washer, 1/4
51.	736-04193	Belleville Washer, .827 x .331 x .098
52.	710-0514	Hex Head Screw, 3/8-16 x 1
53.	742-04223	Bolo Tine-single (Left)
54.	749-04193	Bumper
55.	710-05289	Hex Head Screw, 1/4-20 x 1.5
56.	710-3096	Hex Head Screw, 3/8-16 x 2
57.	712-04064	Flange Hex Locknut, 1/4-20
58.	742-04224	Bolo Tine-single (Right)

A — Model 662

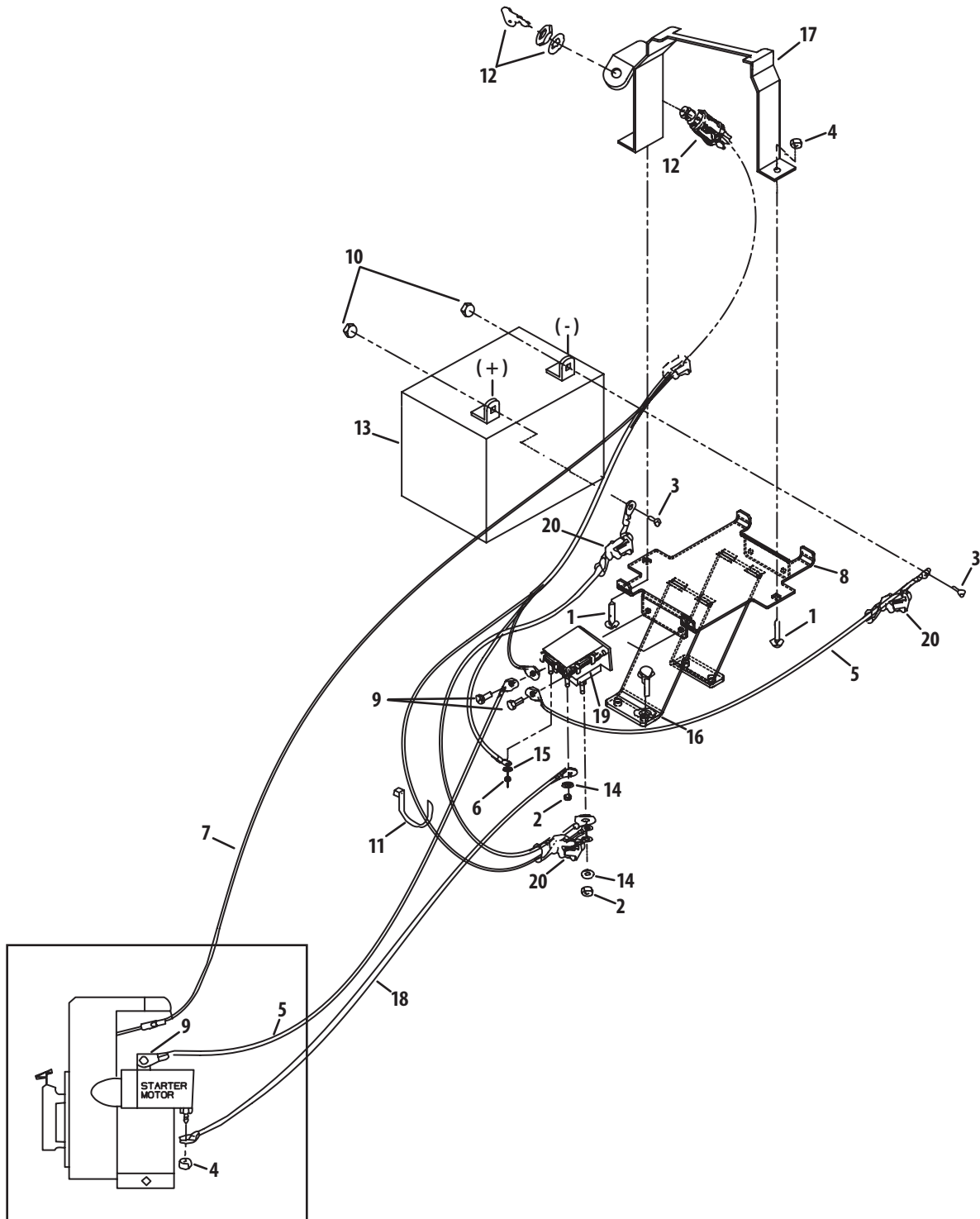
B — Model 665

Ref.	Part Number	Description
1.	1105620	Pipe Plug
2.	916-0101	Retaining Ring
3.	1915068	Hex Screw, ¼-20 x .625
4.	1915069	Self-Sealing Screw, ¼-20 x .875
5.	611-04002	Eccentric Shaft
6.	919-04010	Transmission Housing
7.	710-04043	Hex Flange Screw, ⅝-18 x .750
8.	GW-20896	Tiller Shaft
9.	911-04482	Wheel Shaft
10.	716-04102	Retaining Ring
11.	716-04104	Retaining Ring
12.	718-04406	Rear Bearing Cover
13.	721-04001	Oil Seal, 1.79 x .25
14.	921-04031	Oil Seal, 1.0 x 1.499
15.	921-04034	Oil Seal, .625 x 1.0
16.	921-04035	Oil Seal, .984 x 1.75
17.	921-04044	Oil Seal, .750 x 1.25
18.	736-04258	Washer, 1.375 x 1.015 x .01*
—	736-04259	Washer, 1.375 x 1.015 x .015*
—	736-04260	Washer, 1.375 x 1.015 x .03*
—	736-04305	Washer, 1.75 x 1.5 x .062*
—	736-04306	Washer, 1.75 x 1.5 x .005*
—	736-04307	Washer, 1.75 x 1.5 x .03*
—	736-04308	Washer, 1.75 x 1.5 x .01*
—	736-04309	Washer, 1.375 x 1.015 x .062*

Ref.	Part Number	Description
19.	941-04298	Cone Bearing
20.	941-04299	Cup Bearing
21.	941-04300	Bushing, 1.25 x 1 x .005 x 1.5
22.	941-3037	Ball Bearing
23.	GW-1104	Woodruff Key, .25 x 1.12
24.	GW-1442	Pin, .375 x .72
25.	GW-20694	Transmission Cover Gasket
26.	GW-20712	Wheel Drive Clutch
27.	717-04690	Spur Gear
28.	GW-20791	Pinion Shaft
29.	717-04689	Pinion Gear
30.	GW-20873	Housing Cover
31.	1916193001	Transmission Cover
32.	GW-20912	Drive Shaft
33.	GW-20913	Worm Gear
34.	GW-20914	Wheel Drive Gear
35.	GW-9055	Spring, .850 x .875
36.	GW-9093	Bowed Ring
37.	GW-9301099	Key, .188 x 1
38.	GW-9373	Hi-Pro Key, .25 x 1.312
39.	GW-9428	Bushing, 1.24 x .75 x .18
40.	GW-9467	Oil Plug
41.	GW-9677	Hex Screw, ⅝-18 x .38
42.	GW-9935	Washer, 1.46 x 1.016 x .062
43.	GW-9953	Washer, 1.022 x .75 x .059

* — The flat washers listed are used as required to obtain .005 to .030 in allowable end play on the wheel shaft and tine shaft and a .005 to .015 in end play on the drive shaft.

Model Series 660



Ref.	Part Number	Description
1.	1186073	Carriage Screw ¼-20 x 1.25
2.	1186211	Hex Nut ⅝-24
3.	1186309	Flange Screw ¼-20 x .625
4.	1186389	Hex Locknut ¼-20
5.	1901202	Cable (Ground Wire)
6.	GW-9853	Hexlock Washer Nut, 10-32
7.	725-04346	Electric Start Harness
8.	686-04024	Battery Bracket Assembly
9.	710-0599	Self-tapping Screw ¼-20 x .5
10.	712-3006	Hex Nut ¼-20
11.	725-0157	Cable Tie
12.	925-0267B	Ignition Switch
13.	925-1707D	Battery 270 CCA
14.	936-0119	Lock Washer 5/16
15.	936-0147	Lock Washer #10
16.	736-0607	External Lock Washer ⅝
17.	1900873	Keyswitch Clamp
18.	GW-96510	Cable (Solenoid to Starter Motor)
19.	GW-96514099	Solenoid (Incl. Nuts and Washers for Cables and Wires)
20.	GW-97020	Insulating Boot