

Labels

777S33683



- NEVER PUT HAND IN CHUTE. CONTACT WITH ROTATING PARTS CAN AMPUTATE FINGERS AND HANDS.
- SHUT OFF MOTOR AND WAIT UNTIL ALL MOVING PARTS HAVE STOPPED BEFORE UNCLOGGING.
- USE CLEAN-OUT TOOL OR WOODEN STICK TO UNCLOG DISCHARGE CHUTE.

777S33628

⚠ DANGER AVOID SERIOUS INJURY OR DEATH

- READ OPERATOR'S MANUAL.
- AVOID INJURY FROM ROTATING IMPELLER - KEEP HANDS, FEET AND CLOTHING AWAY.
- STOP MOTOR BEFORE REMOVING DEBRIS OR UNCLOGGING DISCHARGE CHUTE.
- DO NOT USE HANDS TO UNCLOG DISCHARGE CHUTE.
- DO NOT DIRECT DISCHARGE AT BYSTANDERS.
- KEEP BYSTANDERS AWAY.
- DO NOT WALK IN FRONT OF RUNNING MACHINE.
- USE FOR SNOW REMOVAL ONLY.
- TO REDUCE RISK OF ELECTRIC SHOCK - REPLACE DAMAGED CORD IMMEDIATELY.
- DISCONNECT CORD BEFORE CLEANING OR SERVICING.
- WHEN SERVICING USE ONLY IDENTICAL REPLACEMENT PARTS.

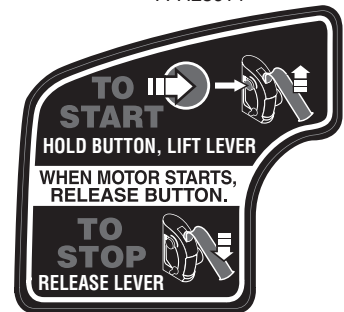
FOR SERVICE INFORMATION CALL:
U.S.A. 1-800-800-7310, CANADA 1-800-668-1238
MTD LLC, CLEVELAND, OH, ASSEMBLED IN CHINA

DOUBLE INSULATED

Volts	120
Amps	11
Hertz	60

UL LISTED SNOW MOVER
E336325 3U25 AG ONLY

777I23614



777D14930



777S33629



777D14931



777D16310



777D16311



777D16312



777I23615

NOTICE

USE a UL APPROVED EXTENSION CORD.

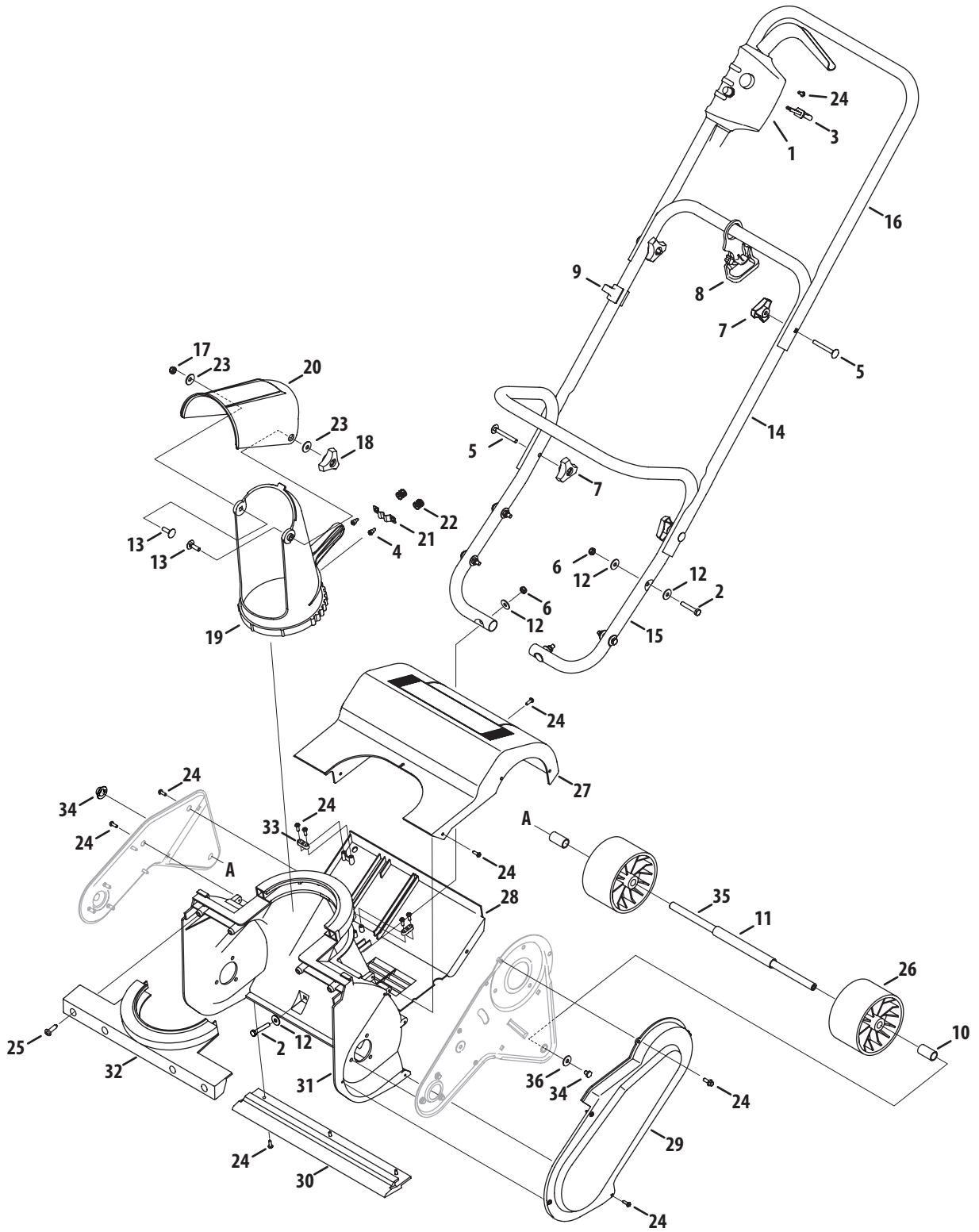
Recommended:
100 foot
14 Gauge

Acceptable:
50 foot
16 Gauge

777D14929

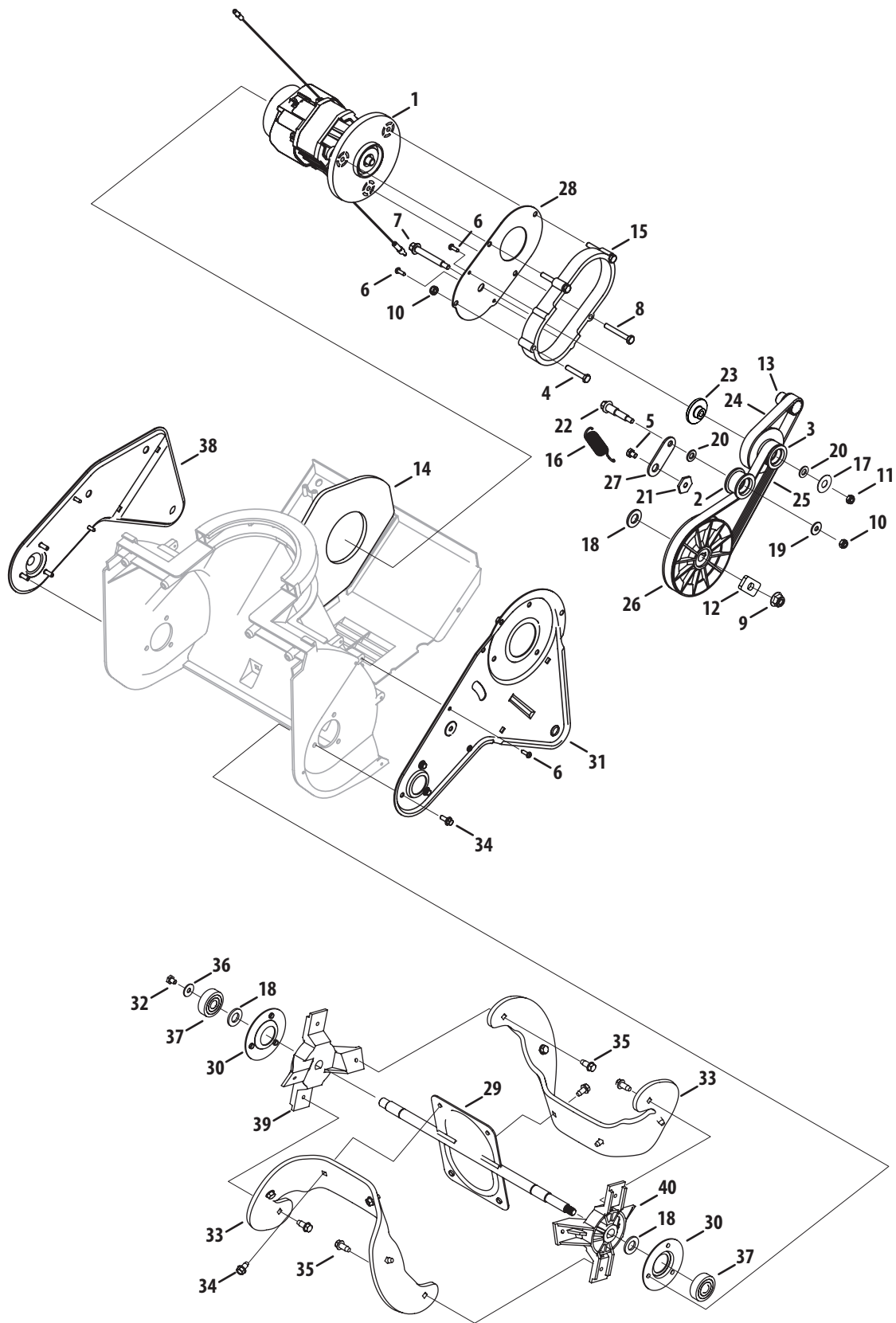


Frame, Handle & Chute



Ref.	Part Number	Description
1	725-05152	Switch, Assembly
2	710-04197	Screw, M6-1, 35.00
3	731-06684B	Key
4	738-04507	Screw, Shoulder, 6.12 x 4.00
5	710-05122	Screw, Carriage, M6-1,45, Cl 8.8
6	912-0691	Nut, Hex Lock, M6-1, Nylon
7	720-04153	Knob, M6
8	731-07757	Retainer, Cord
9	731-07761	Cable, Guide
10	750-05403A	Spacer, 13.0 x 17.0 x 30.0
11	750-05405	Spacer, 13.0 x 17.0 x 134.0
12	736-0685	Washer, Flat, 6.4 Id x 18 OD
13	710-1687	Screw, Carriage, M6-1, 20.00
14	749-04691	Handle, Mid
15	749-04699A	Handle, Lower, Lift Type
16	749-04690	Handle, Upper
17	912-0691	Nut, Hex Lock, M6-1
18	720-04153	Knob, M6
19	731-07627	Chute, Lower, Snow
20	731-07628A	Chute, Upper
21	790-00466	Bracket, Chute, Ratchet
22	732-04874	Spring, Compression
23	736-0270	Washer, Bell, .265 x .750 x .062
24	710-05137	Screw, Tap, M4.2 x 1.4 x 13
25	710-05148	Screw, Tap, M6.3 x 1.8 x 20
26	731-07636	Wheel, Roller
27	731-07629A	Cover, Top
28	731-07630A	Cover, Engine, Lower
29	731-07634A	Cover, Belt
30	731-07640	Blade, Scraper
31	731-07682A	Housing, Auger, Red
	731-07625A	Housing, Auger, Blk
32	731-07684	Cover, Front, Red
	731-07637	Cover, Front, Blk
33	731-07722	Bracket, Cord, Holder
34	710-05132	Screw, Hex Screw, M6 x 8mm
35	911-05381	Shaft, Roller, Wheel
36	736-0685	Washer, Flat, 6.4 Id x 18 OD

Motor & Auger



Motor & Auger

Ref.	Part Number	Description
1	924-04037	Motor Assembly (Incl. Ref 13)
2	931-04505	Pulley Assembly, Idler
3	656-04060AP	Pulley Assembly
4	710-04197	Screw, M6-1, 35.00
5	710-05132	Screw, Hex Screw, M6 x 8mm
6	710-05137	Screw, Tap, M4.2 x 1.4 x 13
7	710-05187A	Screw, Hex Flange, M8-1.25, 60mm
8	710-1391	Screw, M6-1, 45.00
9	712-04065	Nut, Flange Lock, 3/8-16, Nylon
10	912-0691	Nut, Hex Lock, M6-1
11	712-0692	Nut, Hex Lock, M8-1.25, Nylon
12	790-00472	Plate, Drive Pulley
13	756-04455A	Pulley, 5mm, 15 Tooth
14	723-04076	Gasket, Foam
15	731-07772	Spacer, Motor Mount
16	732-04770	Extension Spring, Idler
17	936-0101	Washer, Flat, .406 x 1.0 x .030
18	736-04502A	Washer, Flat, M12
19	736-0685	Washer, Flat, 6.4 Id x 18 OD
20	736-0700	Washer, Flat, 8.4 x 16 x 1.60

Ref.	Part Number	Description
21	738-04446	Spacer, Shoulder, Hex, M6
22	738-04449	Screw, Shoulder
23	750-05435	Spacer, 8.35 x 16 x 11.65
24	754-04279A	Belt, Sync
25	754-04281A	Belt, Poly, 6 Rib
26	756-04481	Pulley, Auger, 6 Rib
27	790-00418	Bracket, Idler
28	790-00425	Plate, Motor Mount
29	684-04396	Auger Weldment
30	790-00446	Cover, Bearing
31	790-00447	Outer Frame, LH
32	710-05132	Screw, Hex Screw, M6 x 8mm
33	735-04273	Paddle Auger, Rubber
34	710-0599	Screw, Self-tapping, 1/4-20, 0.500
35	710-04065	Screw, 1/4-10 x .625
36	736-0685	Washer, Flat, 6.4 Idx18 OD
37	741-04466	Bearing, Ball, 12 x 37 x 12
38	790-00397A	Outer Frame, RH
39	731-08294	Bracket, Paddle, Mount, LH
40	731-08295	Bracket, Paddle, Mount, RH