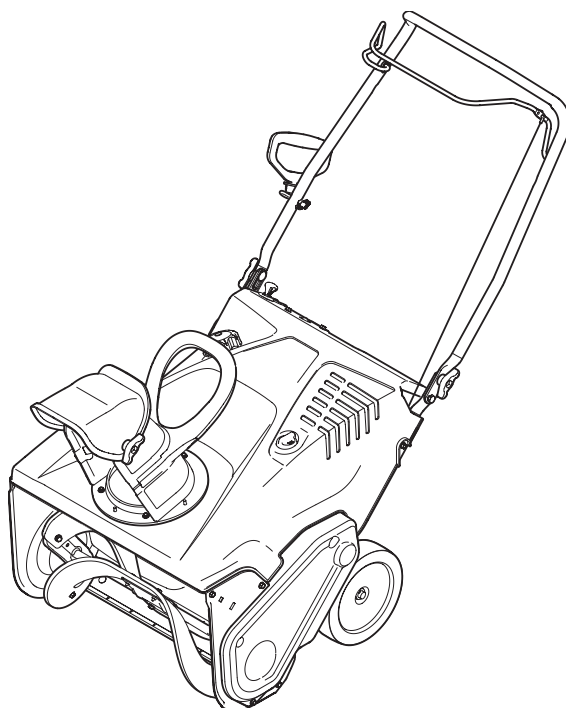

ILLUSTRATED PARTS MANUAL



Model 2T5 Shown

Single-Stage Snow Thrower — Models 2M1, 2S1 & 2T5

To The Owner

Thank you for purchasing an MTD Snow Thrower. It was carefully engineered to provide excellent performance when properly operated and maintained.

All information in this manual is relative to the most recent product information available at the time of printing. Please be aware that this Illustrated Part's Manual may cover a range of product specifications for various models.

Components listed and/or illustrated in this manual may not be applicable to all models. We reserve the right to change product specifications, designs and equipment without notice and without incurring obligation.

Throughout this manual, all references to *right* (RH) and *left* (LH) are observed from the operating position.

Table of Contents

Shroud, Chute & Handle 4
Drive System & Auger Assembly 6

Record Product Information

To ease in ordering replacement parts, please locate the model plate on the equipment and record the information in the provided area to the right. You can locate the model plate by looking beneath the seat.

MODEL NUMBER

--	--	--	--	--	--	--	--	--	--	--	--

SERIAL NUMBER

--	--	--	--	--	--	--	--	--	--	--	--

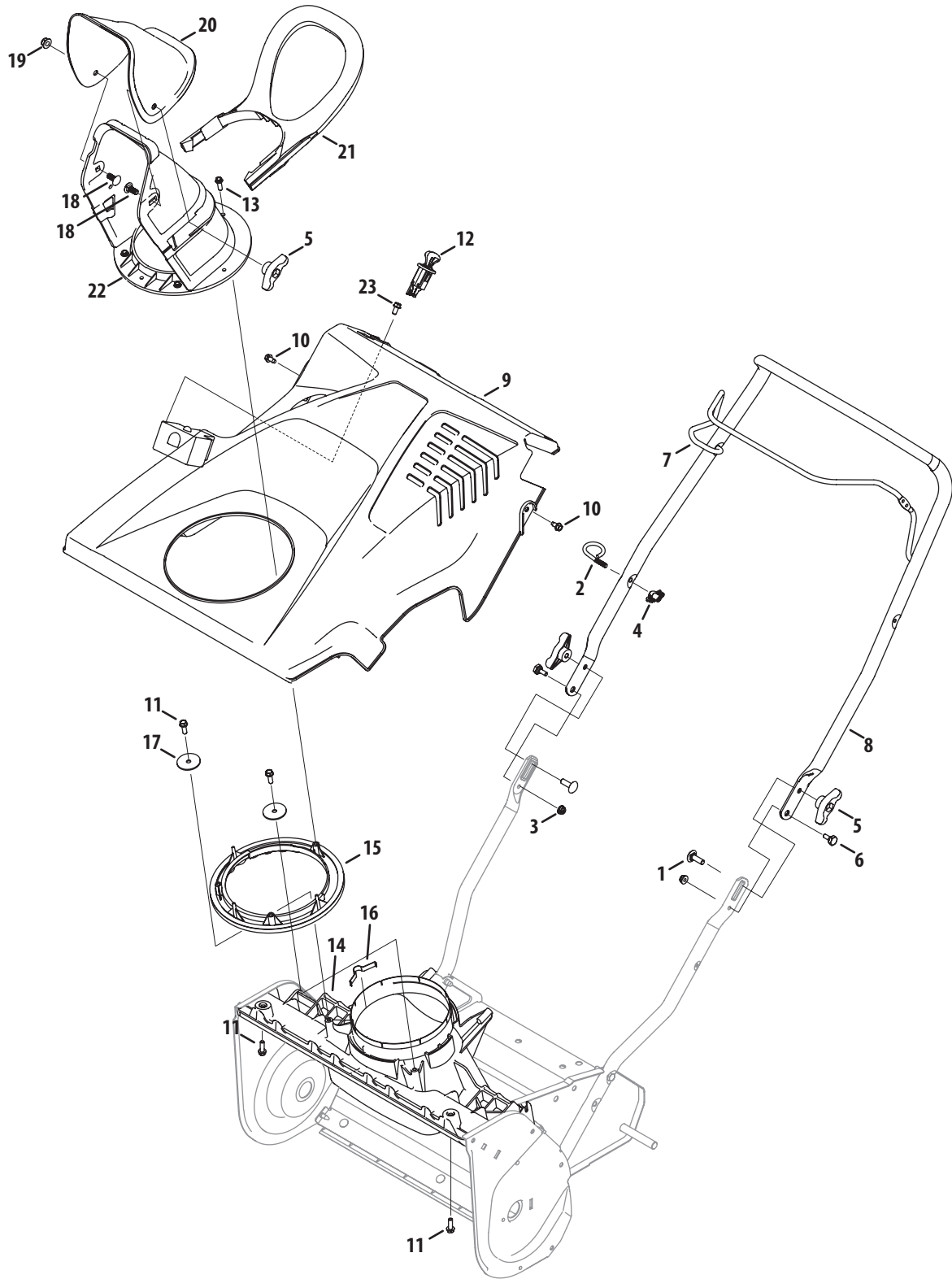
Painted Parts

When ordering painted service parts, a four digit color suffix must be added to the part number (e.g. 783-XXXXX-0637). Please refer to the table below for current color codes:

0637	Black
0709	Dark Green (Bolens, Yard-Man)
0662	Oyster Gray (MTD Gold)
0638	Red (Yard Machines, Huskee, Troy-Bilt, MTD)
0691	Black Jack (MTD Gold, MasterCut)

0674	Yellow (Yard-Man)
0650	Metallic Red (White Outdoor)
0629	Silver Flake (MTD Platinum)
04038	Day Orange (Daedong)
04033	Flint Mica (Troy-Bilt XP)

Shroud, Chute & Handle

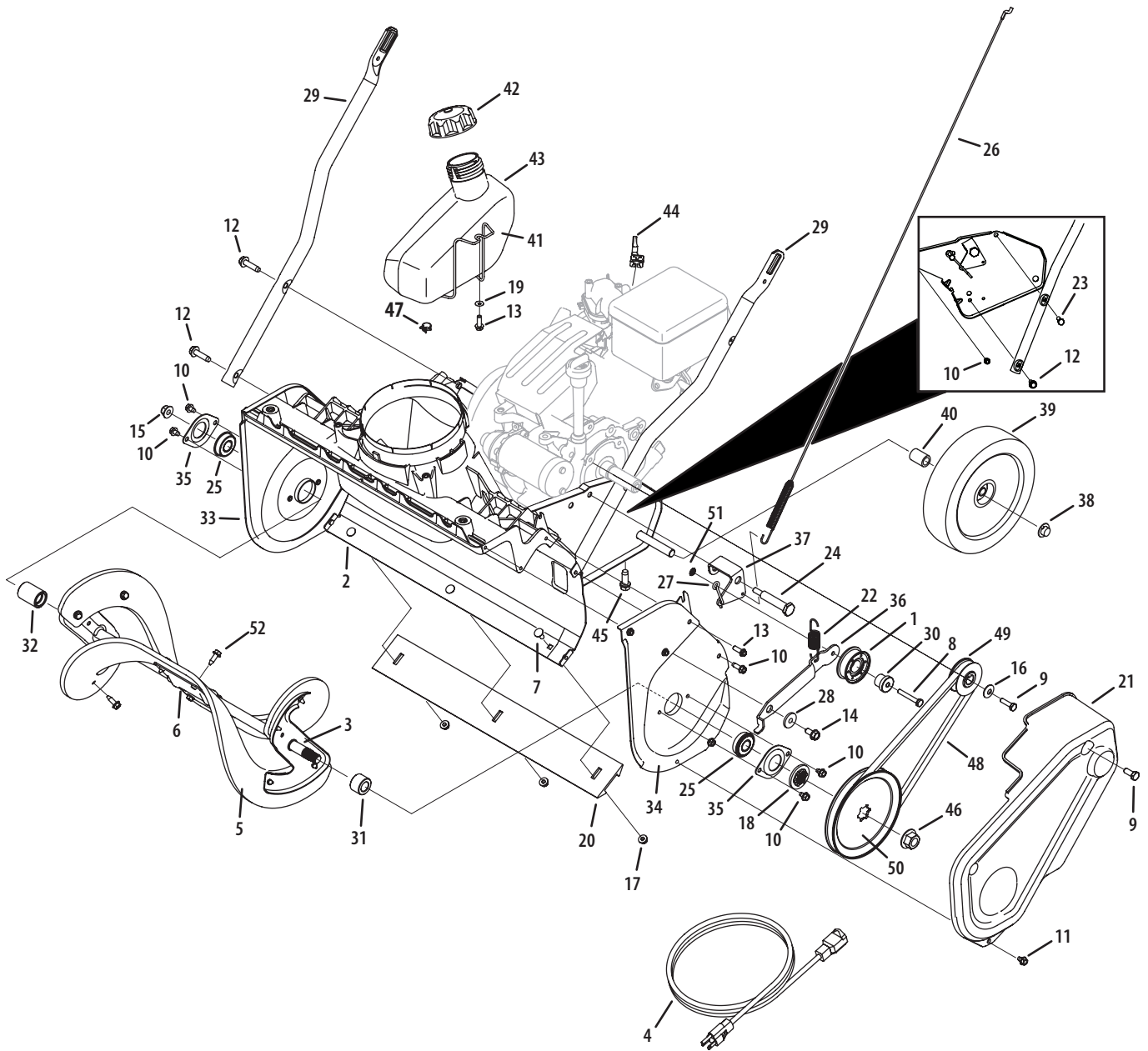


Ref.	Part Number	Description
1.	710-04998	Carriage Bolt, 5/16-18 x 1.00
2.	710-05348	Eye Bolt, 1/4-20
3.	712-04064	Flange Lock Nut, 1/4-20
4.	720-0279	Knob Handle
5.	720-04122	Wing Knob
6.	738-04419A	Shoulder Screw, .375 x .148 x 1/4-20
7.	747-05327B†	Auger Bail
	747-05490	Auger Bail
8.	749-04703B†	Upper Handle
	749-04808	Upper Handle
9.	731-08347	Top Cover (Black w/o electric start)
	731-08352††	Top Cover (Gray)
	731-08339††	Top Cover (Black)
10.	710-0599	Hex Screw, 1/4-14 x .500
11.	710-0895	Screw, Hi-Lo:1/4-15, 0.75
12.	925-04031A	Ignition Switch Assembly
13.	710-05108	Hex Washer Screw, 1/4 x .750
14.	931-07626A	Chute Adapter
15.	731-08274	Chute Ring
16.	932-04111	Chute Adjustment Spring
17.	736-04576	Flat Washer, .28 x 1.5 x .066
18.	710-0451	Carriage Bolt, 5/16-18 x .750
19.	712-04063	Flange Lock Nut, 5/16-18
20.	731-04426A	Upper Chute
21.	731-07644	Chute Handle
22.	931-07753A	Lower Chute
23.	710-04187††	Hex Washer Screw, 1/4-15 x .50

† Model 2T5

†† Model with electric start

Drive System & Auger Assembly



Drive System & Auger Assembly

Ref.	Part Number	Description	Ref.	Part Number	Description
1	684-04168	Idler Pulley Assembly	27	747-05360A	Drive Cable Wire Support
2	684-04398	Frame	28	748-0234	Shoulder Spacer
3	984-04393	Auger Assembly Mount	29	749-04810	Lower Handle
4	929-0071A*	3-Prong Extension Cord	30	750-04571	Shoulder Spacer, .260 x .785 x .538
5	753-06469	Auger Replacement Kit (Inc. 2 Paddles and 12 Hex Washer Screws)	31	750-04758	LH Auger Spacer
6	790-00427	Center Auger Bracket	32	750-05393	RH Auger Spacer
7	710-0134	Carriage Screw, 1/4-20 x .62	33	790-00444	RH Auger Plate
8	710-0778	Hex Screw, 1/4-20 x 1.50	34	790-00445	LH Auger Plate
9	710-0627	Hex Lock Screw, 5/16-24 x .750	35	790-00457	Bearing Cup
10	710-1652	Hex Washer Screw, 1/4-20 x .625	36	790-00461	Idler Bracket
11	710-0599	Hex Washer Screw, 1/4-20 x .500	37	790-00426	Cable Idler Bracket
12	710-0817	Hex Washer Screw, 5/16-18 x 1.250	38	726-0299	Push Cap, 1/2
13	710-0895	Hex Washer Screw, 1/4-15 x .750	39	734-04585	Wheel, 8"
14	710-04484	Hex Washer Screw, 5/16-18 x .75		734-04063A	Wheel, 7"
15	712-04065	Flange Lock Nut, 3/8-16	40	750-04432	Spacer, .525 x .775 x .835
16	736-0371	Thrust Washer, .343 x .880 x .062	41	747-05513	Gas Tank Wire Support
17	712-04064	Flange Lock Nut, 1/4-20	42	751-10487A	Fuel Cap
18	718-04836	Pulley Hub	43	751-11648	Fuel Tank
19	736-3092	Washer, .265 x 1.00 x .030	44	731-07664*	Choke Extension Lever
20	731-08171	Shave Plate	45	710-0654A	Hex Washer Screw, 3/8-16 x 1.000
21	731-07737A	Belt Cover	46	912-0702	Flange Nut, 7/16-20
22	732-04748	Extension Spring, .70 x 3.035	47	726-0205	Hose Clamp
23	710-05183	Hex Screw, 5/16-24 x 1.25	48	954-04050	Belt, .500 x 35.06
24	738-04456	Shoulder Bolt, 5/16-24 x .496 x 2.18	49	956-0416B	Pulley Half, .625 x 2.25
25	741-04517	Ball Bearing, .500 x 40mm x 12mm	50	756-04443	Pulley, 1/2 x 6.00
26	946-04782	Clutch Cable	51	726-0233	Push Nut
			52	710-05058	Hex Washer Screw, 1/4-20 x .750

* Models with electric start