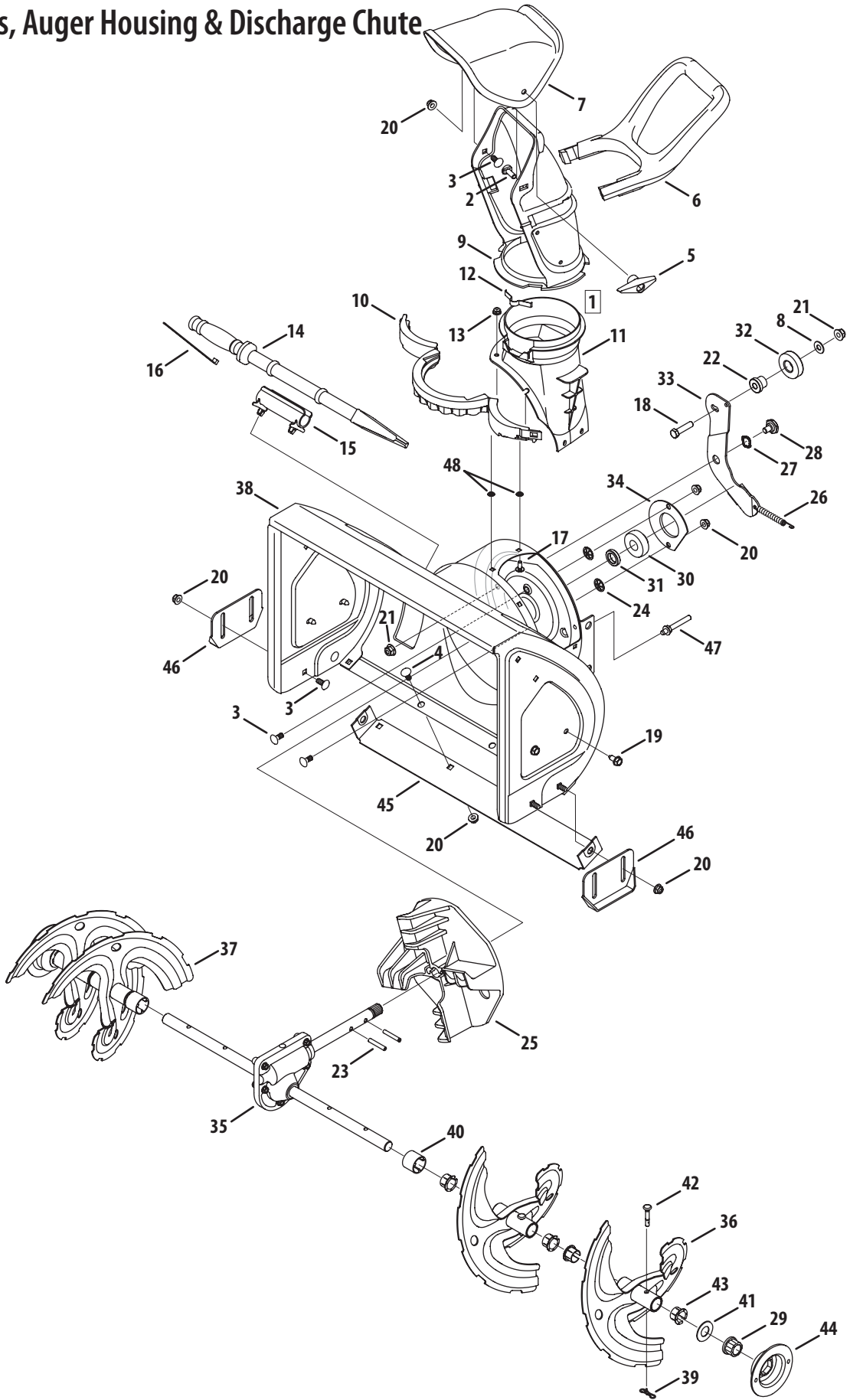


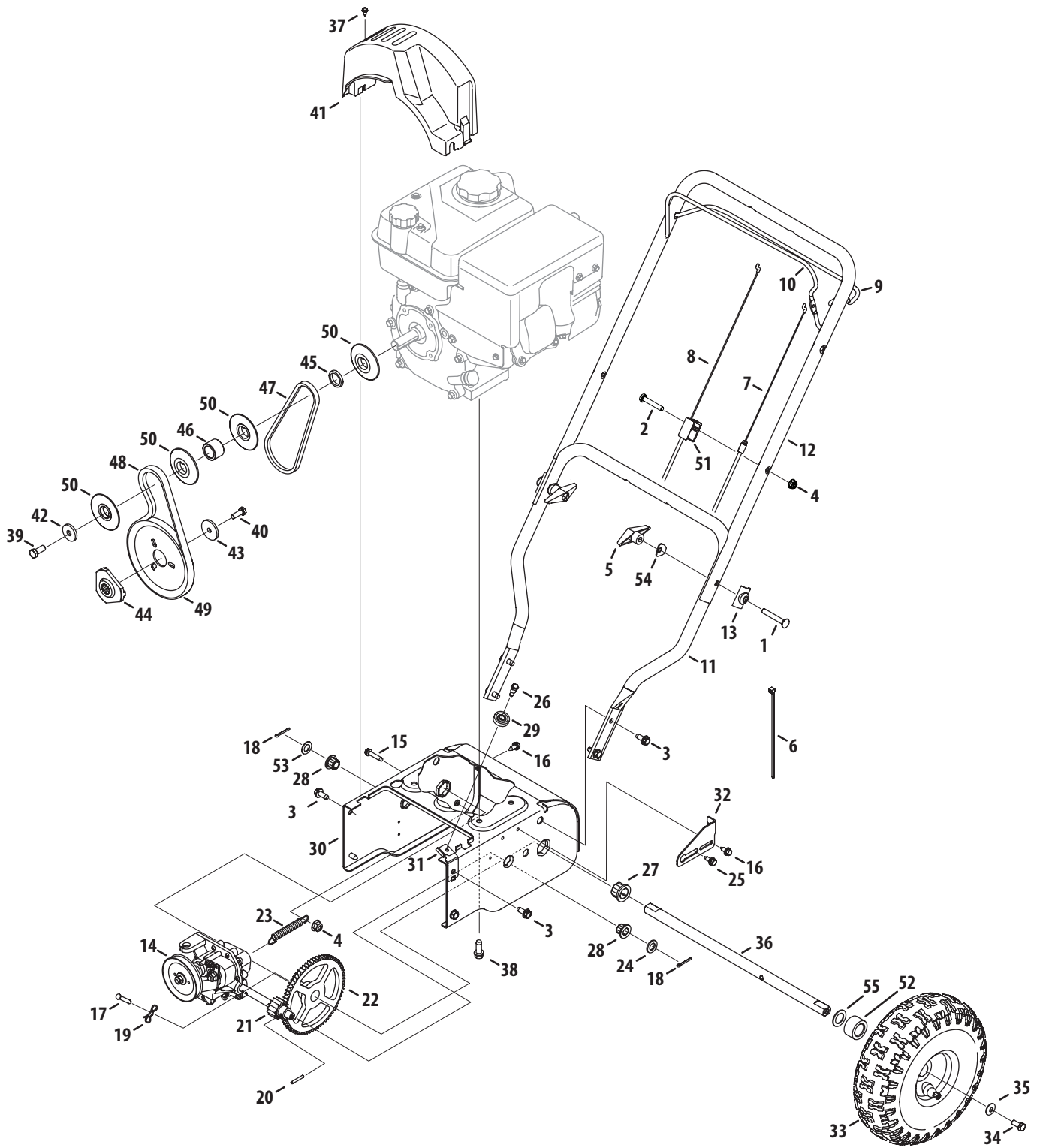
Augers, Auger Housing & Discharge Chute



Augers, Auger Housing & Discharge Chute

Ref.	Part Number	Description	Ref.	Part Number	Description
1	984-04037	Chute Assembly	25	731-04218B	Impeller
2	710-04071	Carriage Bolt 5/16-18 x 1.0"	26	932-0611	Extension Spring
3	710-0451	Carriage Bolt 5/16-18	27	736-0174	Wave Washer
4	710-0260A	Carriage Bolt 5/16-18 x .62	28	938-0281	Shoulder Screw 3/8-16
5	920-0284	Wing Knob 5/16-18	29	941-0245	Hex Flange Bearing
6	731-04388A	Chute Handle	30	941-0309	Ball Bearing
7	731-04426A	Upper Chute	31	950-04191	Spacer
8	936-0267	Flat Washer .385 x .87 x .06	32	684-04358	Flat Idler
9	931-04127	Lower Chute	33	784-0434	Auger Idler Bracket
10	931-04353	Chute Ring	34	790-00075	Bearing Housing
11	931-2636A	Chute Adapter 5" Dia.	35	918-04292B	Auger Gearbox Assembly
12	932-04111	Chute Adjustment Spring	36	684-04113A	Auger Assembly - LH
13	712-04064	Flange Lock Nut 1/4-20	37	684-04114A	Auger Assembly - RH
14	931-2643	Clean-out Tool	38	684-04166A	Auger Housing, 22"
15	731-2635	Clean-out Tool Mount	39	714-04040	Bow Tie Cotter Pin 72
16	725-0157	Cable Tie	40	731-04870	Spacer, 1.25 x .75 x 1.00
17	710-0134	Carriage Screw 1/4-20 x 0.62"	41	936-0351	Flat Washer
18	710-0520	Hex Bolt 3/8-16 x 1.50"	42	738-04124A	Shear Pin, .25 x 1.50
19	710-04484	AB Screw 5/16-18 x .750	43	741-0493A	Flange Bushing
20	712-04063	Flange Lock Nut, 5/16-18	44	790-00087A	Hex Bearing Housing
21	712-04065	Flange Lock Nut, 3/8-16	45	790-00117	Shave Plate 2.25 x 21.66 LG
22	750-04852	Shoulder Spacer	46	784-5580	Skid Shoe
23	715-04020	Spiral Pin	47	710-04606A	Belt Keeper
24	926-04012	Push On Nut	48	726-0233	Push Nut

Handle, Frame & Drive System



Handle, Frame & Drive System

Ref.	Part No.	Description
1	710-0572	Carriage Screw, 5/16-18 x 2.25
2	710-0606	Mach. Screw, 1/4-20 x 1.50
3	710-04484	Screw, 5/16-18 x .75
4	712-04064	Flange Lock Nut, 1/4-20
5	720-04072A	Wing Knob, 5/16-18
6	725-0157	Cable Tie
7	946-04642A	Drive Cable
8	946-04640	Auger Cable
9	747-1214	Drive Control
10	747-1161A	Auger Control
11	749-04147B	Lower Handle
12	749-04459	Upper Handle
13	990-00053	Handle Tab
14	918-04296B	Transmission Assembly
15	710-0809	Self-Tapping Screw, 1/4-20 x 1.25
16	710-1652	Screw 1/4-20 x .625
17	711-1364	Clevis Pin
18	914-0115	Cotter Pin, 1/8 x 1.0
19	714-04040	Bow Tie Cotter Pin, 72
20	915-0249	Roll Pin
21	717-04066A	Pinion, 14T
22	917-04073A	Gear, 70T
23	932-0429A	Extension Spring
24	936-0192	Flat Washer
25	738-04184A	Shoulder Screw, 1/4-20
26	738-0924A	Shoulder Screw, 1/4-28
27	941-0245	Hex Flange Bearing
28	741-04108	Hex Flange Bearing

Ref.	Part No.	Description
29	756-0625	Cable Roller
30	784-0419C	Drive Housing Frame
31	790-00223A	Auger Cable Bracket
32	790-00224	Auger Cable Adj. Bracket
33	934-04282B	Wheel Assy. ,Snow Hog, Gray
34	710-0627	Lock Bolt, 5/16-24 x .75
35	736-0242	Bell Washer, .34 x .872 x .06
36	738-04321	Axle
37	910-0224	Hex Screw, #10-16 x .500
38	710-0654A	Sems Screw, 3/8-16 x 1.0
39	710-0696	Hex Bolt ,3/8-24 x .875
40	710-1245B	Lock Bolt, 5/16-24 x .875
41	931-04162A	Belt Cover
42	736-0247	Flat Washer, .406 ID x 1.25 OD
43	736-0505	Flat Washer, .34 ID x 1.50 OD
44	748-04067A	Pulley: Adapter ,.75 Dia.
45	950-1355	Spacer, .876 x 1.25 x .19
46	950-1356	Spacer, .876 x 1.25 x .86
47	954-04013	V-belt, 3/8 x 21.108 Lg.
48	954-04014	V-belt, 3/8 x 26.680 Lg.
49	956-04024	Auger Pulley
50	756-0569	Pulley Half
51	731-06749	Cable Clip
52	731-05672A	Spacer
53	936-0160	Flat Washer, .53 x .93 x .05
54	936-0451	Saddle Washer
55	936-0287	Flat Washer, .793 x 1.24 x .06